

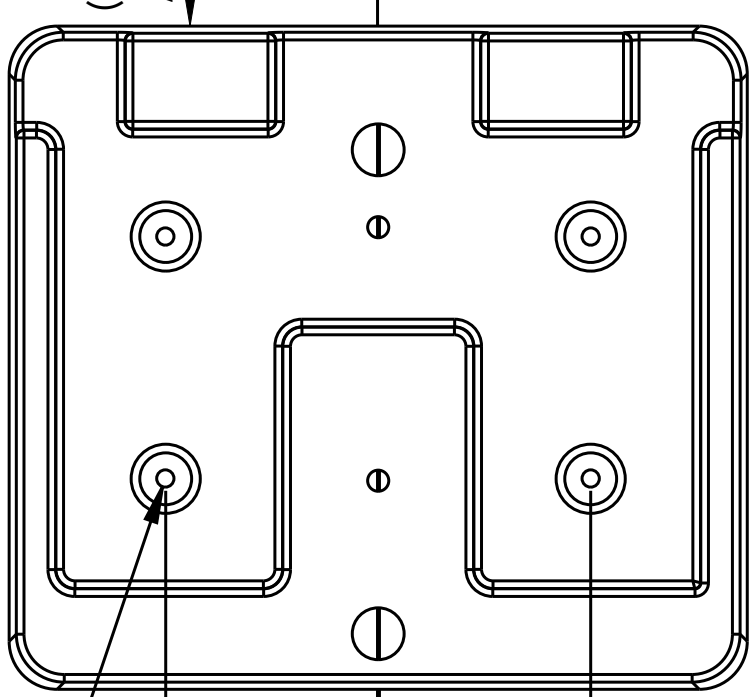
INSTALLATION INSTRUCTIONS

WOOD PANTRY PULLOUT BOTTOM SLIDE TEMPLATE

CUT OR FOLD ON DOTTED LINE

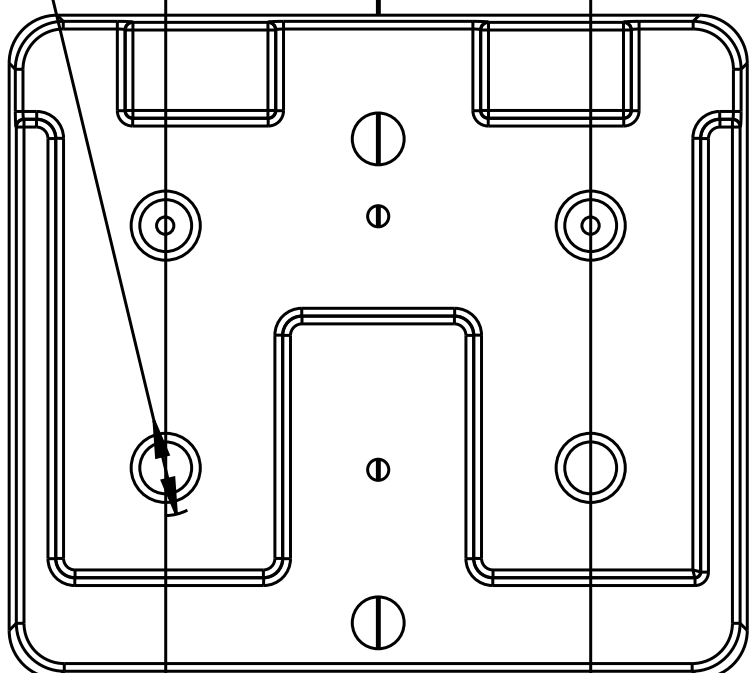
13/16"
(21mm)

FRONT OF CABINET



6X 3/32" PILOT HOLES

DRILL 3/32" PILOTS FIRST
THEN DRILL 2X 1/2" TOGGLE HOLES



2-7/32"
(56.2mm)



INSTALLATION INSTRUCTIONS

WOOD PANTRY PULLOUT BOTTOM SLIDE TEMPLATE

CUT OR FOLD ON DOTTED LINE

