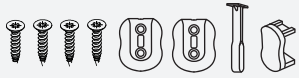


Closet rod

with PIR switch

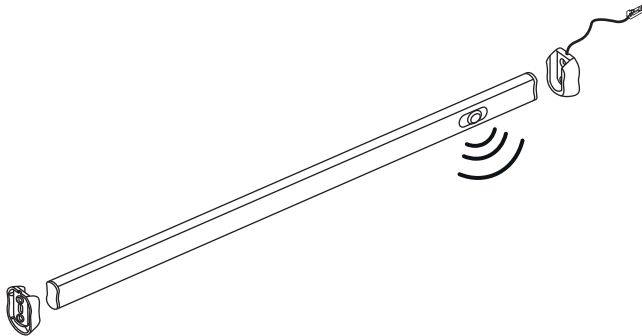
INSTALLATION SHEET



Accessories: Screws, Mounting bracket, Middle supporter, New endcap



Maximum load capacity : 20 kg/m

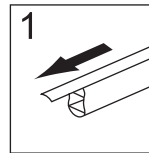


LIST

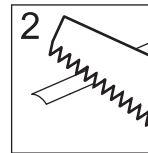
Length	Power	Screws	Middle supporter	Mounting bracket
4 ft	12W	6 pcs	1 pc	2 pcs

CUT

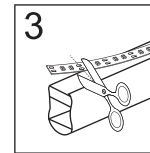
If length needs to be adjusted, cut the end without contact pin, each 12.8mm(1/2inch) cuttable. Then follow the steps below. If no length adjustment is needed, conclude the steps. Diffuser should be 8mm shorter than aluminum profile.



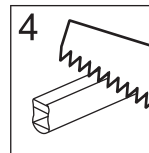
Remove diffuser



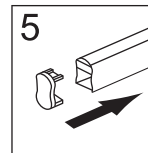
Cut diffuser



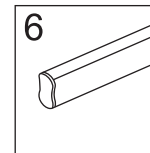
Cut LED strip



Cut aluminum profile



Install diffuser and install endcap



Finished



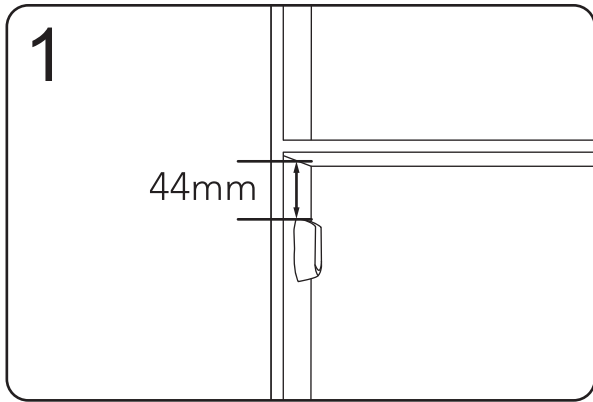
Don't cut



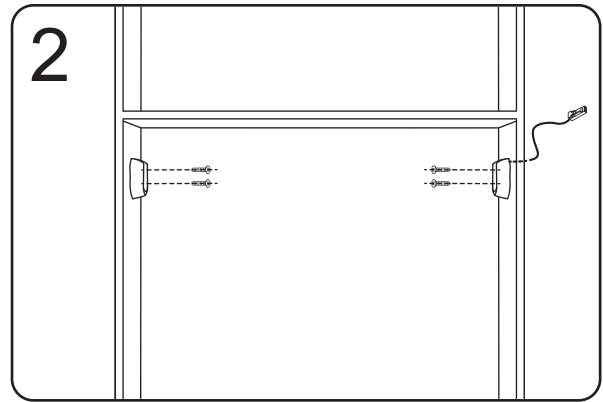
Length= 4 ft(1219.2 mm)

Pir Sensor

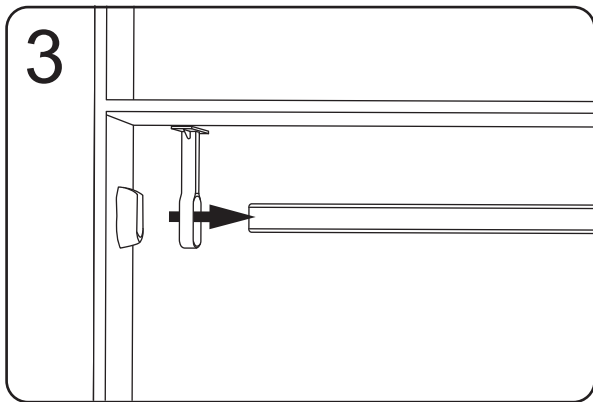
Input Voltage	Power	CCT	RA	Input Cable	Detection range	Color
24V DC	10W/meter	3000K or 4000K	>90	70inch	3~5m	Matt nickels/Matt black /Matt chrome



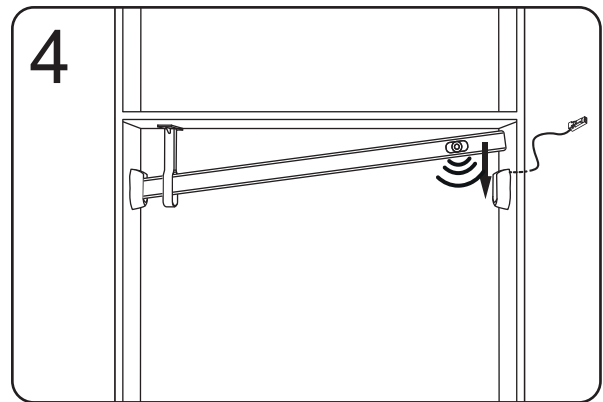
1 Choose mounting bracket position.



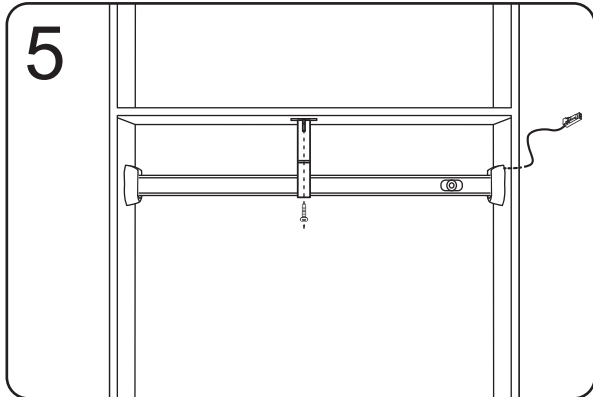
2 Use screws to fix.



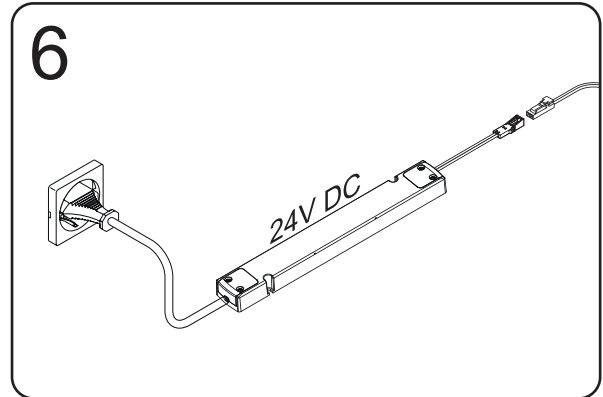
3 Slide middle supporter to the end of light.



4 Install left end in position first, then right end.



5 Adjust position of middle supporter and fix with screws.



6 Get powered.

