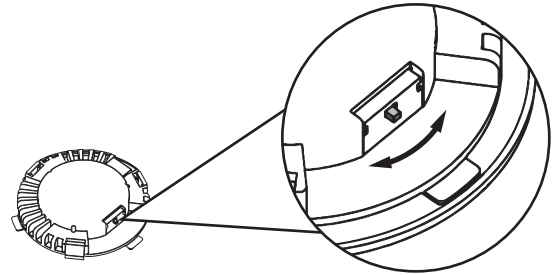
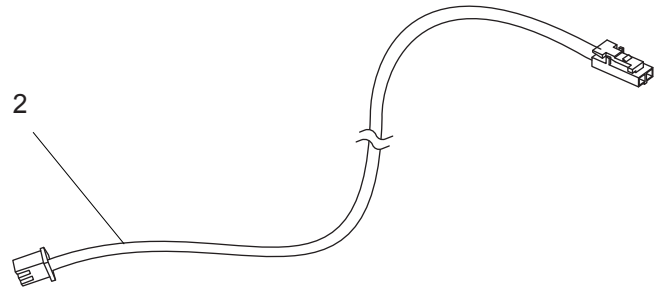
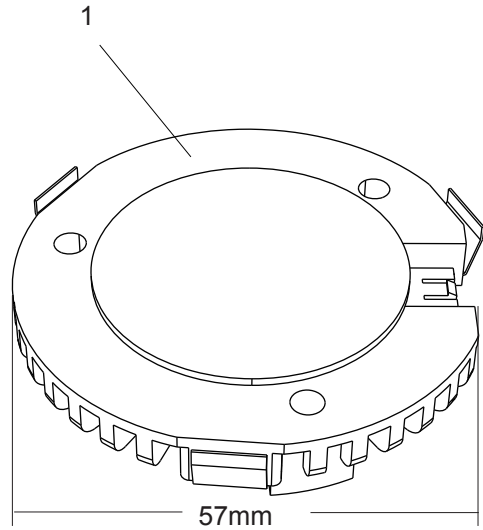
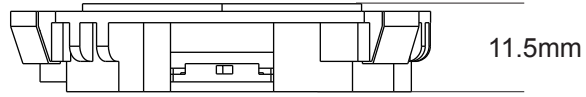


1	Puck light
2	Black double insulation cable, end with LED white male connector



Input voltage: 24V DC
Wattage: 2.7W
CRI: 90
CCT: 3000K / 4000K / 5000K
Installation hole: 57mm

6	Drawing number
Components name	
Puck light	
Item code:	
See comments	
Comments	
P002030079ALMXX	

Drawing Revision			
REV.	DESCRIPTION	DATE	Initials
A	CREATION	Mar-20-2023	

Drawn By	Chen Gaofeng
----------	--------------

Supervisor By	Shao Keda	Revision:	REV A
---------------	-----------	-----------	-------

--	--

CLIENT:	Richellieu Hardware
PROJECT:	