



# IF-360S & IF-H360S (SINGLE TYPE) IF-360W & IF-H360W (DOUBLE TYPE) INSET RECEDING DOOR MECHANISM (W/ SOFT CLOSE)

- For upward-opening cabinet doors.
- Soft-close feature prevents slamming. Soft-closing speed is adjustable.
- Door pockets into the cabinet to get out of the way when opened.
- NSDX soft-down stay successfully passed 30,000 open/close private cycles test.

Item No	Torque Moment (kg-cm)	Door Weight (kg)	Max. Door Width (mm)	Recommended Door Height (mm)	E = Door Storage (mm) (**Shown Below)	Door Thickness (mm)	
IF-360S-14*	17 ~ 60 lbs-in (20 ~ 70 kg-cm)	3.1 ~ 5.5 lbs (1.4 ~ 2.5 kg)	23-5/8" (600 mm)	11-13/16"+T (300+T)	10-7/16"+T (265+T)	19/32" ~ 13/16" (15 ~ 20 mm)	
IF-360S-16*				13-3/4"+T (350+T)	12-3/8"+T (315+T)		
IF-360S-19*				16-13/16"+T (427+T)	15-7/16"+T (392+T)		
IF-360S-24*				21-13/16"+T (554+T)	20-7/16"+T (519+T)		
IF-360W-14	34 ~ 121 lbs-in (40 ~ 140 kg-cm)	5.9 ~ 11 lbs (2.7 ~ 5 kg)	47-1/4" (1200 mm)	11-13/16"+T (300+T)	10-7/16"+T (265+T)		
IF-360W-16				13-3/4"+T (350+T)	12-3/8"+T (315+T)		
IF-360W-19				16-13/16"+T (427+T)	15-7/16"+T (392+T)		
IF-360W-24				21-13/16"+T (554+T)	20-7/16"+T (519+T)		
IF-H360S-14*	17 ~ 60 lbs-in (20 ~ 70 kg-cm)	3.1 ~ 5.5 lbs (1.4 ~ 2.5 kg)	23-5/8" (600 mm)	11-13/16"+T (300+T)	10-7/16"+T (265+T)		11/16" ~ 1-3/16" (18 ~ 30 mm)
IF-H360S-16*				13-3/4"+T (350+T)	12-3/8"+T (315+T)		
IF-H360S-19*				16-13/16"+T (427+T)	15-7/16"+T (392+T)		
IF-H360S-24*				21-13/16"+T (554+T)	20-7/16"+T (519+T)		
IF-H360W-14	34 ~ 121 lbs-in (40 ~ 140 kg-cm)	5.9 ~ 11 lbs (2.7 ~ 5 kg)	47-1/4" (1200 mm)	11-13/16"+T (300+T)	10-7/16"+T (265+T)		
IF-H360W-16				13-3/4"+T (350+T)	12-3/8"+T (315+T)		
IF-H360W-19				16-13/16"+T (427+T)	15-7/16"+T (392+T)		
IF-H360W-24				21-13/16"+T (554+T)	20-7/16"+T (519+T)		

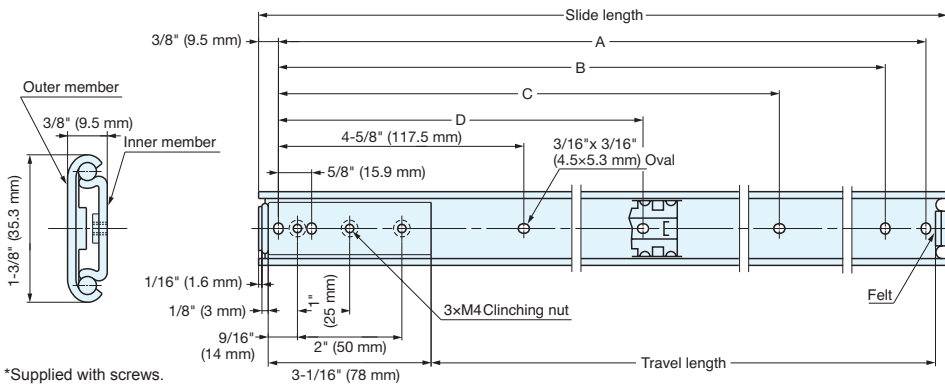
\*IF-360S and IF-H360S types come with NSDX-35LK.

T= Door Thickness

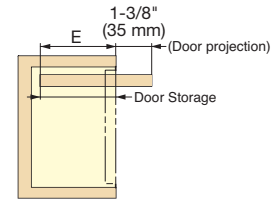
## Part Details

	Soft-Down Stay	Slide	Concealed Hinge	Mounting Plate
Item No	NSDX-35 (L/R)	AL-78	360-C26/19T or H360-C26/26T	360-P4W-32T
pcs/set	1 or 2/door	2 pcs/door	2 pcs/door	2 pcs/door

Part Name	Material	Finish/Color
Slide	Steel	Nickel
Hinge	Steel	Nickel
Soft-Down Stay	Zinc Alloy	Nickel



The recommended door height is that when the door protrudes 1-3/8" (35 mm) from cabinet with door stored as shown below.

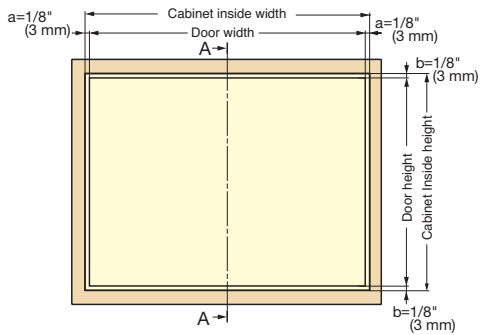


\*\*E = Door Storage

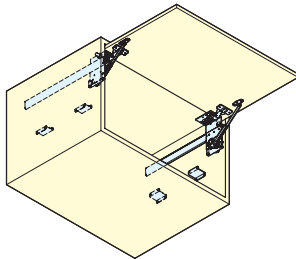
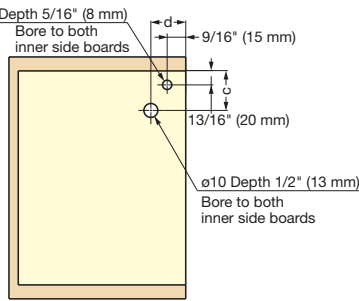
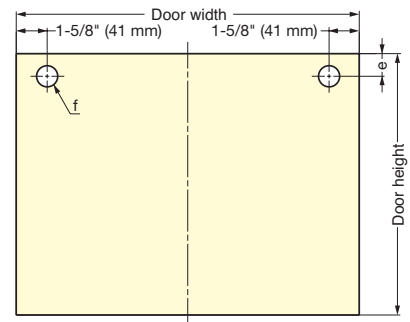
\*Supplied with screws.

Item No	Slide Length	Travel Length	A	B	C	D	Weight (g)
14" Kit	14" (355.6 mm)	10-9/16" (267.6 mm)	13-1/4" (336.6 mm)	12-5/8" (320.7 mm)	8-5/8" (219.1 mm)	-	-
16" Kit	16" (406.4 mm)	12-9/16" (318.4 mm)	15-1/4" (387.4 mm)	14-5/8" (371.5 mm)	10-5/8" (269.9 mm)	-	280
19" Kit	19" (482.6 mm)	15-9/16" (394.6 mm)	18-1/4" (463.6 mm)	17-5/8" (447.7 mm)	13-5/8" (346.1 mm)	9-1/8" (231.8 mm)	350
24" Kit	24" (609.6 mm)	20-9/16" (521.6 mm)	23-1/4" (590.6 mm)	22-5/8" (574.7 mm)	18-5/8" (473.1 mm)	11-5/8" (295.3 mm)	420

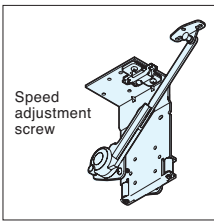
# INSET RECEDING DOOR MECHANISM (W/ SOFT CLOSE)


**IF**
**LID SUPPORTS**
**INSET RECEDING DOOR MECHANISM (W/ SOFT CLOSE)**
**Cut Out Dimensions**


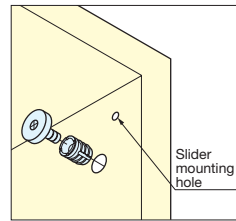
a: Clearance in the width direction 1/8" (3 mm)  
 b: Clearance in the height direction 1/8" (3 mm)


**Cabinet cutaway view (A-A)**

**Door cut out dimensions**


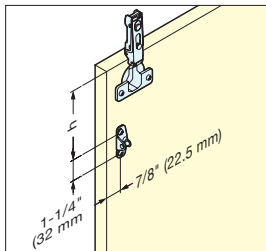
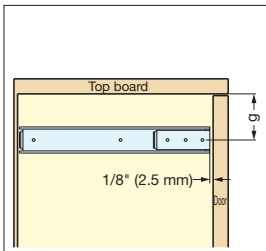
Item No	c	d	e	f
IF-360S	1-1/2" (37.5 mm)	3/8" (9.5 mm) + Door Thickness	7/8" (22.5 mm)	ø1-3/8" (ø35 mm) Depth 7/16" (11 mm)
IF-360W	1-3/4" (43.6 mm)			1" (25 mm)

**Installation**


• **Bracket assembling**  
 As shown left, use supplied mounting screws M4×8 and M3.5×6 to install the main body of soft-down stay NSDX-35(L/R) and mounting plate (360-P4W-32T) to bracket, respectively.



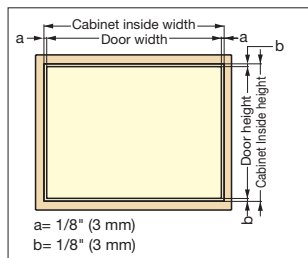
• **Parts installation to cabinet**  
 Drive F type slider (F-15) and insert (SC-107-13) into mounting holes on the inner surface of cabinet side panel, respectively. Next, screw bearing roller (DR-19-B2) into the insert.



Item Name	g	h
IF-360S	2-5/8" (66.5 mm)	3-5/16" (84 mm)
IF-360W	2-13/16" (71.5 mm)	3-1/4" (82 mm)

• **Rail installation**  
 Install rail at the position shown left. (Dimensions is the distance of the first hole)

• **Parts installation to door**  
 Install concealed hinge with the supplied screws (raised countersunk head tapping screws 3.5×16). Next, install the door side mounting plate of soft-down stay NSDX-35(L/R) at the position shown left with the supplied screws.


**How to adjust**

- When the door is installed to cabinet, if vertical dimensions of clearance (a) in opening direction and clearance (b) in height direction are different, make adjustment with the mounting plate adjustment screw of concealed hinge.
- Door slowly closes under the action of soft-down stay. Adjust door closing speed with the speed adjustment screw of soft-down stay.

**Installation**

• Drawing below is an example of a 13/16" (20 mm) thick door using IF-360S-16.

