

## HEALTHCARE DESIGN – OVAL UNIVERSAL BOWL

### BS-7816

Comparable to Corian 816P



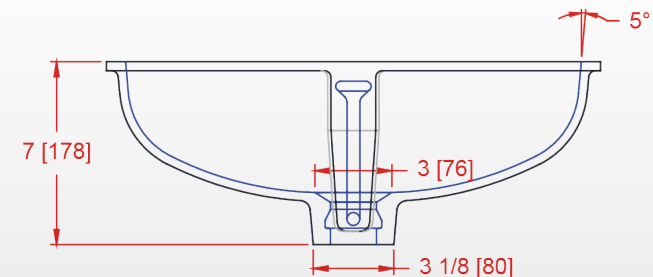
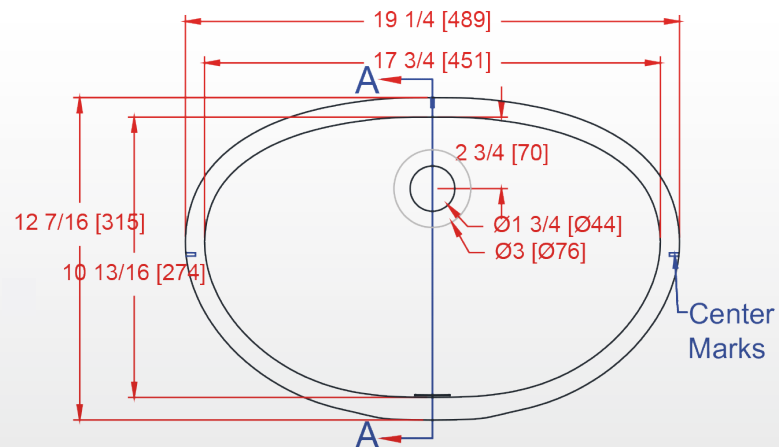
- ▶ Standard: With integrated overflow
- ▶ Available without overflow on special order. Sink order model is BS-7816-NO.
- ▶ Made from casted acrylic-polyester based material.
- ▶ Non-porous surface that limits mold, mildew and stains when properly cleaned.
- ▶ Suitable for healthcare settings.

#### AVAILABLE COLORS

White
Ivory
Biscuit

- Photos can look different from actual color sample.
- Actual product measurement may vary +/- 5mm due to product enhancement.

Contact your sales representative for more details.



Front View

#### Recommended Router Bit

	Sink Draft	RouterBitsNow.com				Velepec			Amana		Whiteside	
		1/8" Radius	1/2" Radius	Bit Draft	Bearing	1/2" Radius	Bit Draft	Bearing	3/8" Radius	Bit Draft	1/2" Radius	Bit Draft
BS-7816	5°	RBN-826-10125	820-1110	10°	BR-995A10	30-155TG	10°	12-610	57267	10°	2910	10°
BS-7816-NO	5°	RBN-826-10125	820-1110	10°	BR-995A10	30-155TG	10°	12-610	57267	10°	2910	10°