

HEALTHCARE DESIGN – OVAL VANITY BOWL

BS-7810

Comparable to Corian 810P



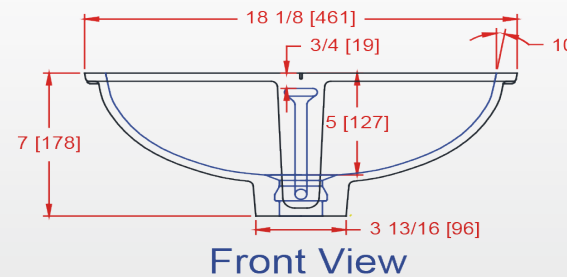
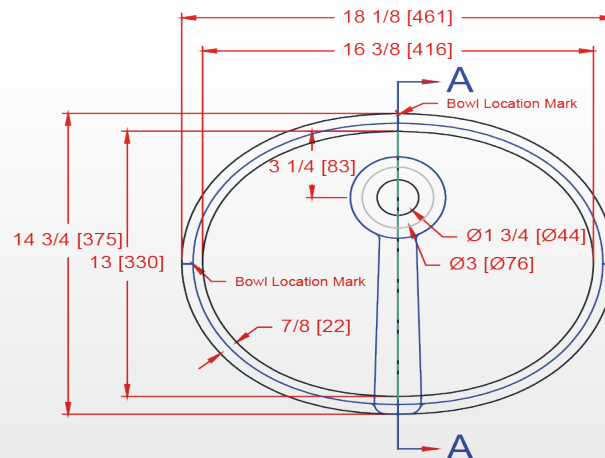
- ▶ Standard: With integrated overflow
- ▶ Available without overflow on special order. Sink order model is BS-7810-NO.
- ▶ Made from casted acrylic-polyester based material.
- ▶ Non-porous surface that limits mold, mildew and stains when properly cleaned.
- ▶ Suitable for healthcare settings.

AVAILABLE COLORS

White
Ivory
Biscuit

- Photos can look different from actual color sample.
- Actual product measurement may vary +/- 5mm due to product enhancement.

Contact your sales representative for more details.



Recommended Router Bit

	Sink Draft	RouterBitsNow.com				Velepec			Amana		Whiteside	
		1/8" Radius	1/2" Radius	Bit Draft	Bearing	1/2" Radius	Bit Draft	Bearing	3/8" Radius	Bit Draft	1/2" Radius	Bit Draft
BS-7810	10°	RBN-826-15125	820-1115	15°	BR-995A15	30-157TG	15°	12-615	57268	14°	2915	15°
BS-7810-NO	10°	RBN-826-15125	820-1115	15°	BR-995A15	30-157TG	15°	12-615	57268	14°	2915	15°