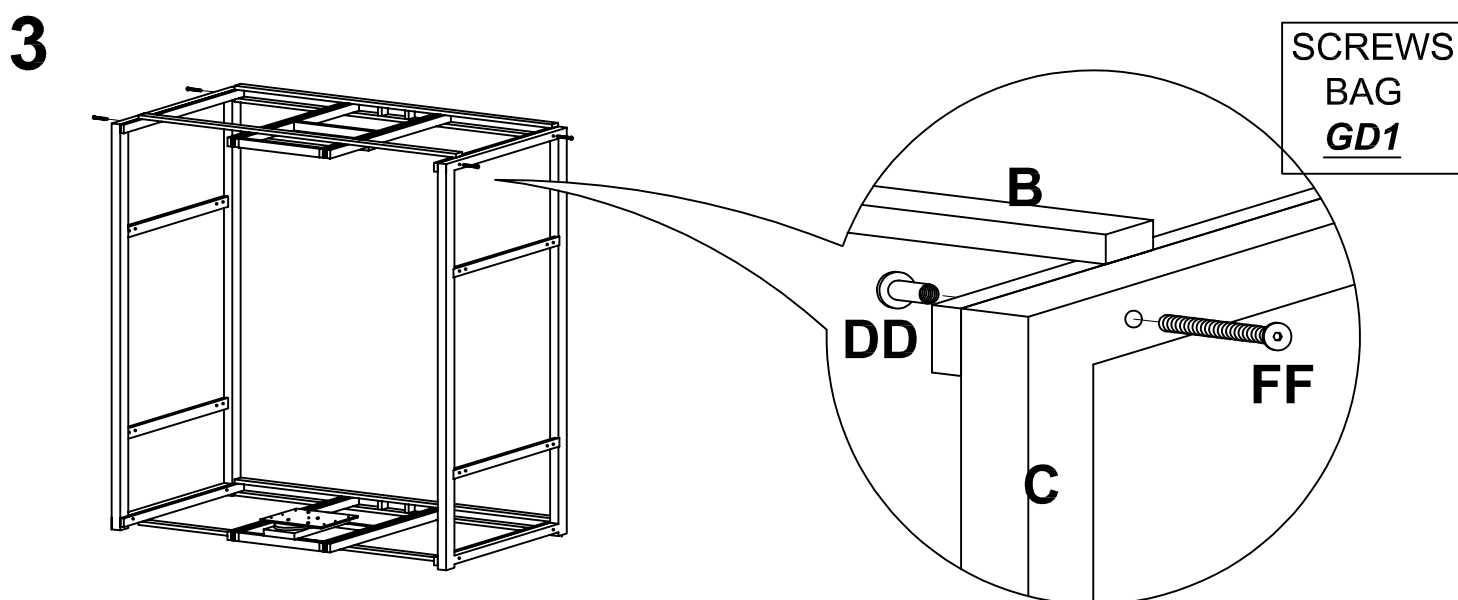
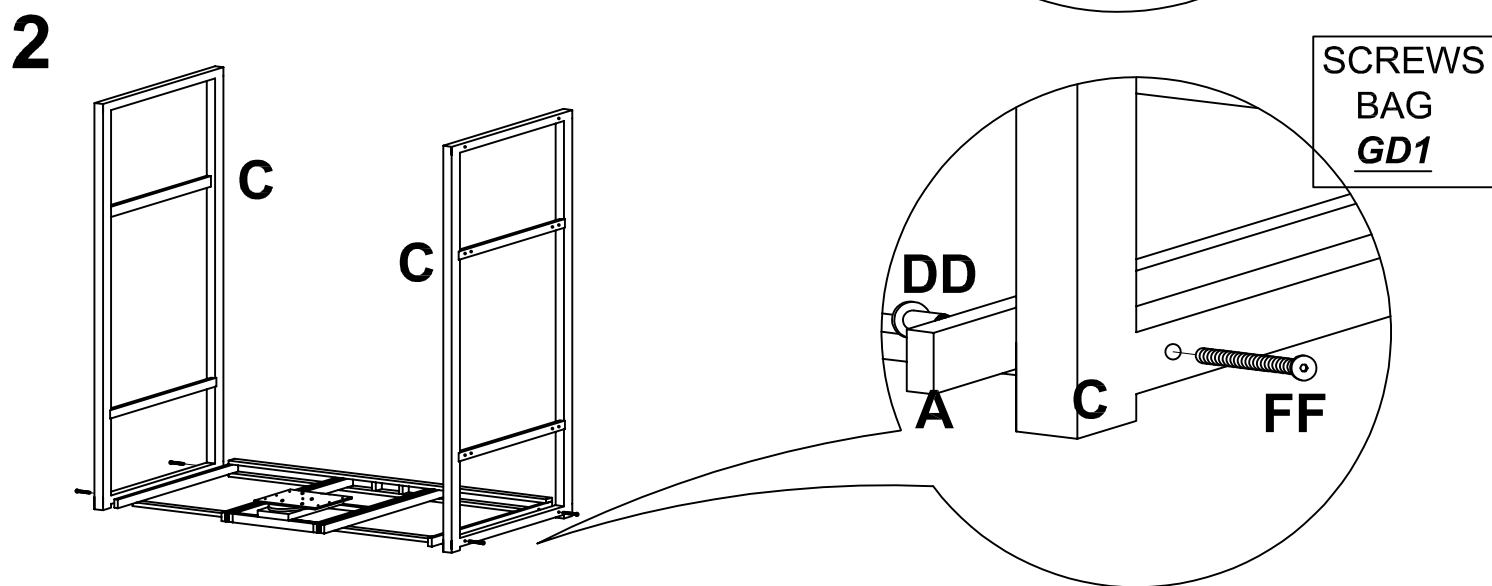
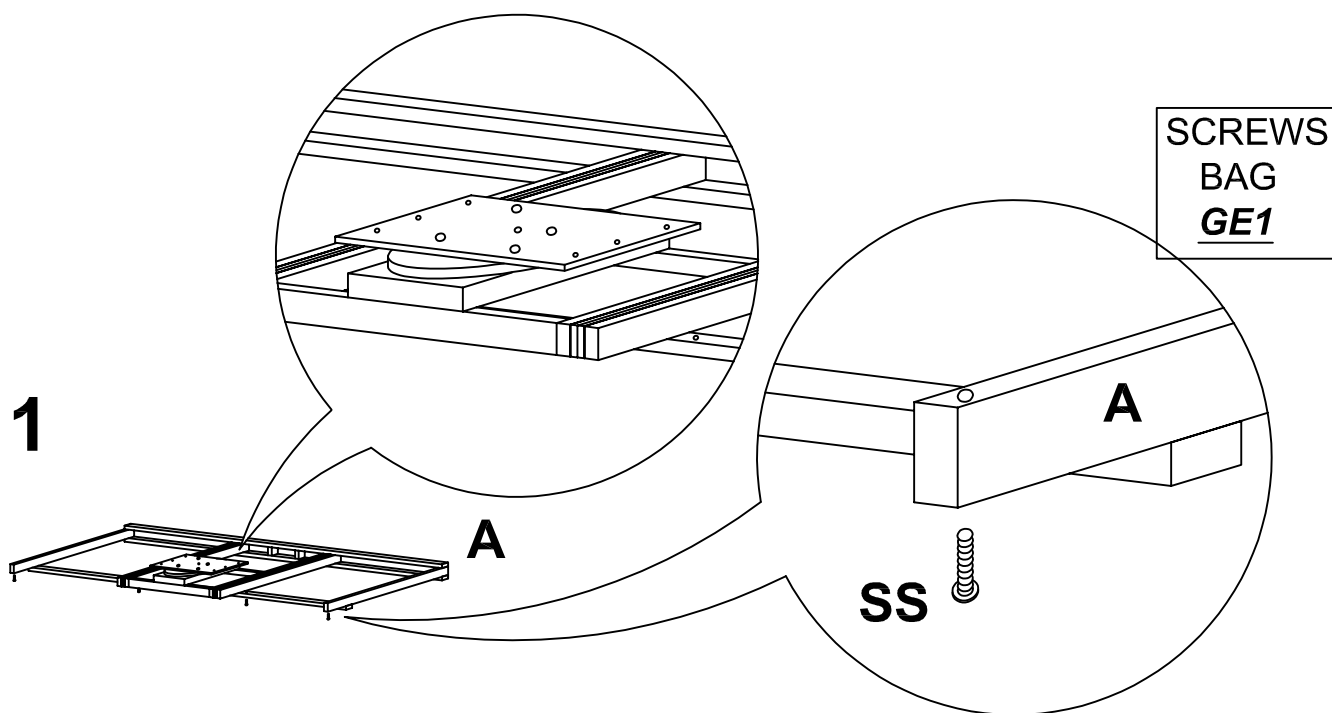
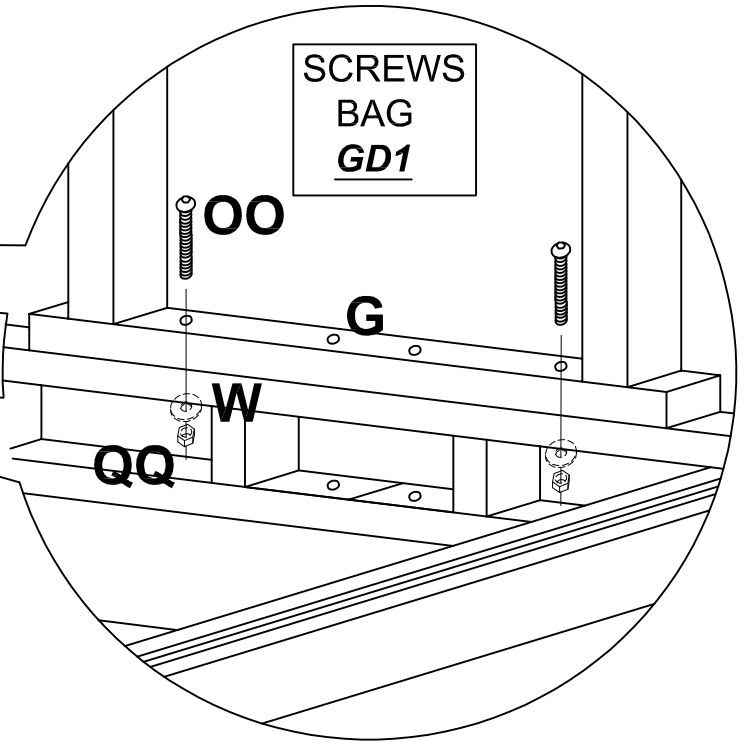
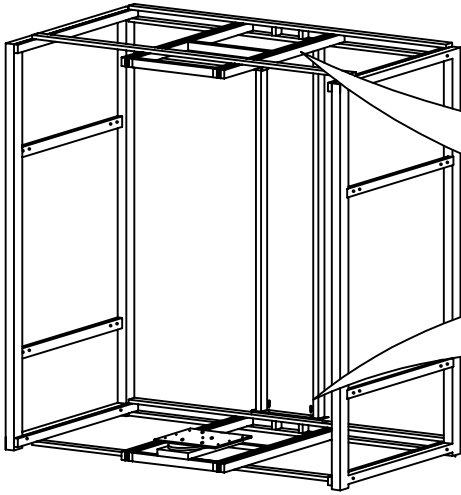


MOUNTING 



4



SCREWS
BAG
GD1

OO

G

W

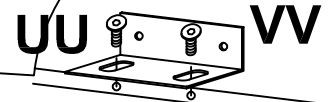
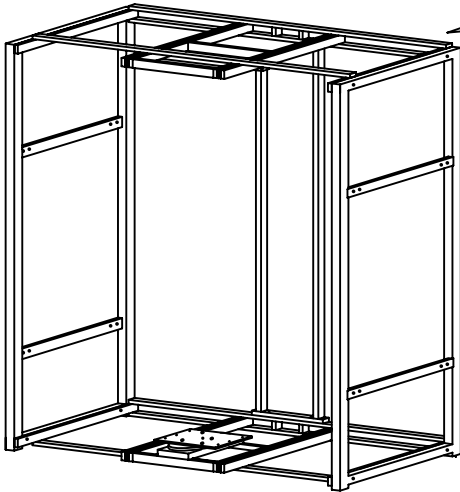
QQ



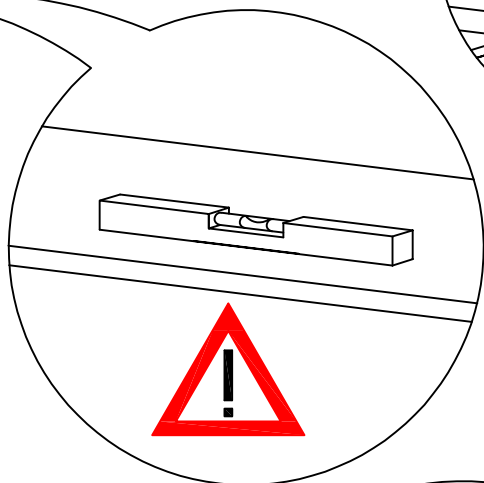
Make sure to fix your cabinet to the wall.
As wall materials vary, screws for fixing to wall are not included.

SCREWS
BAG
GB1

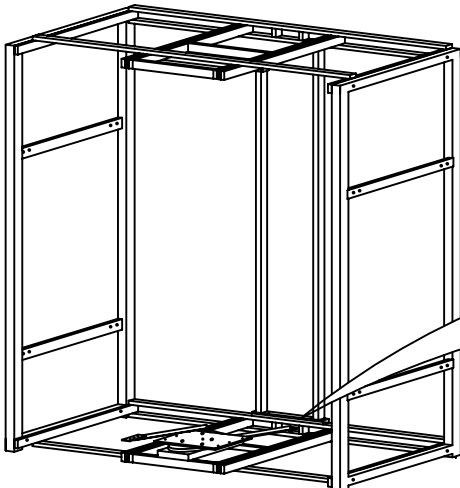
5



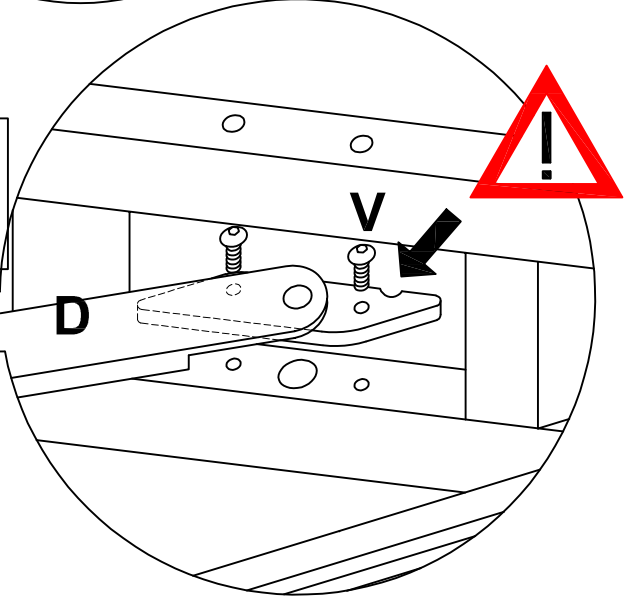
SCREWS
BAG
GB2



6



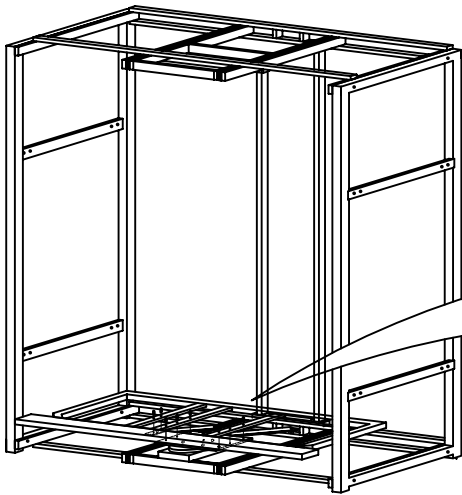
SCREWS
BAG
GC1



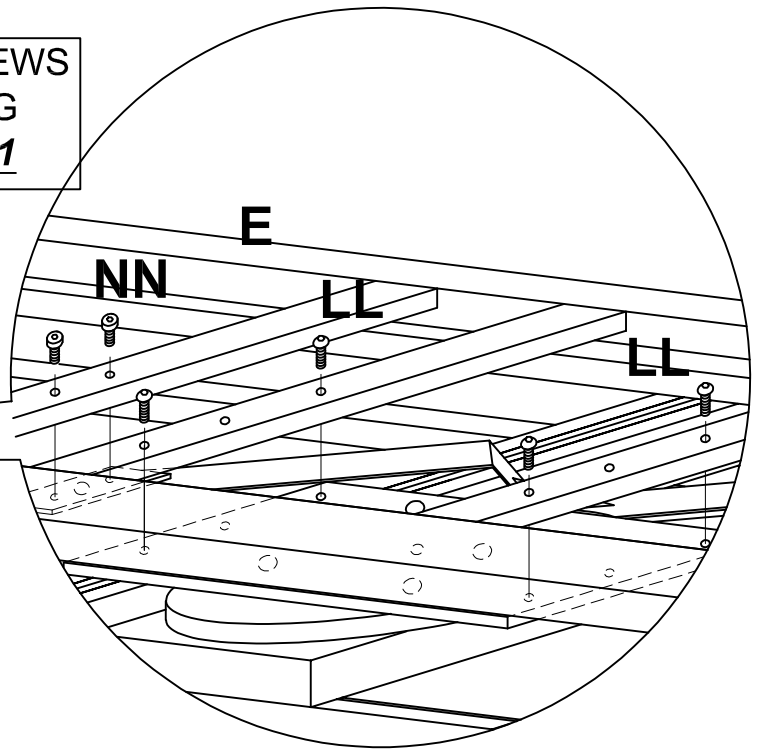
D

V

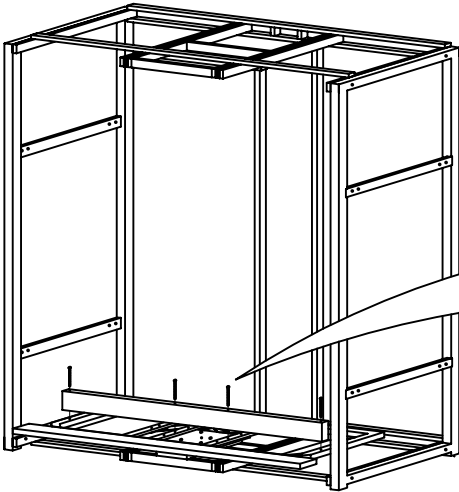
7



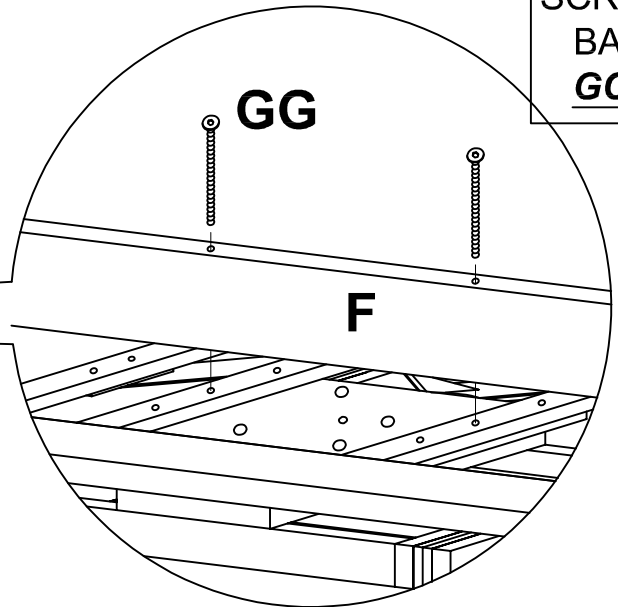
SCREWS
BAG
GC1



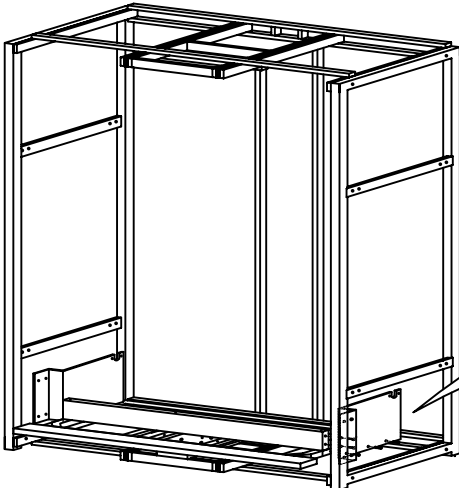
8



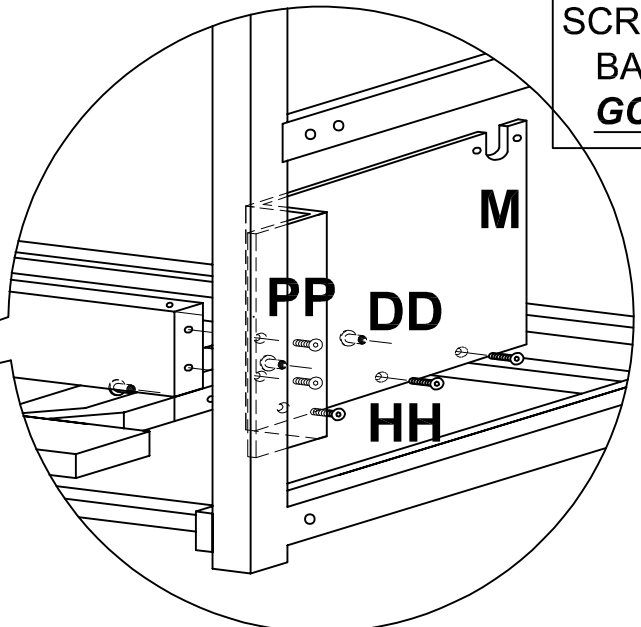
SCREWS
BAG
GC1



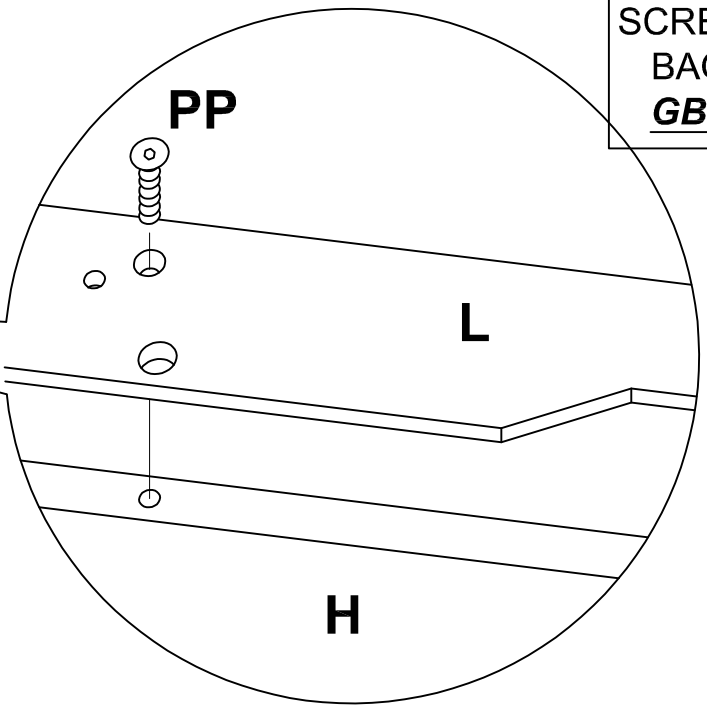
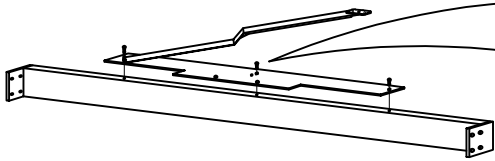
9



SCREWS
BAG
GC1

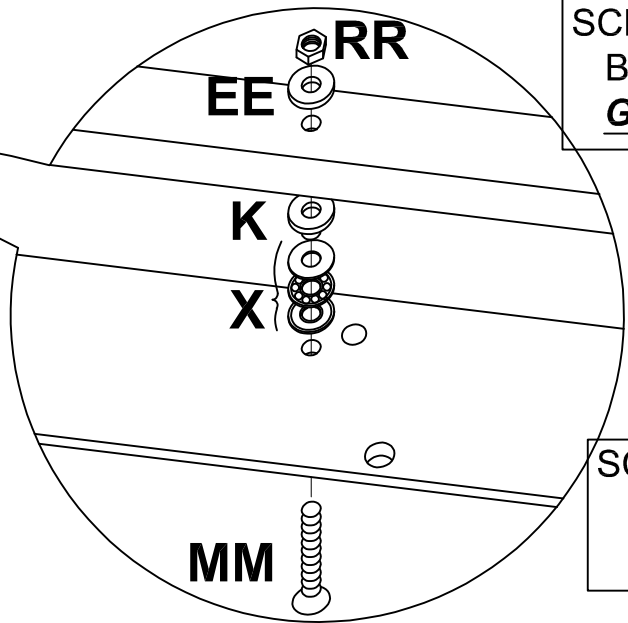
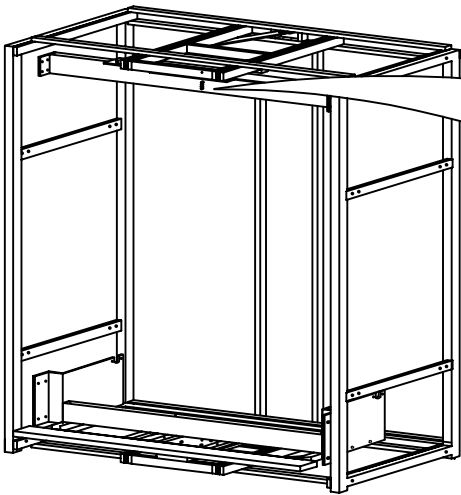


10



SCREWS
BAG
GB1

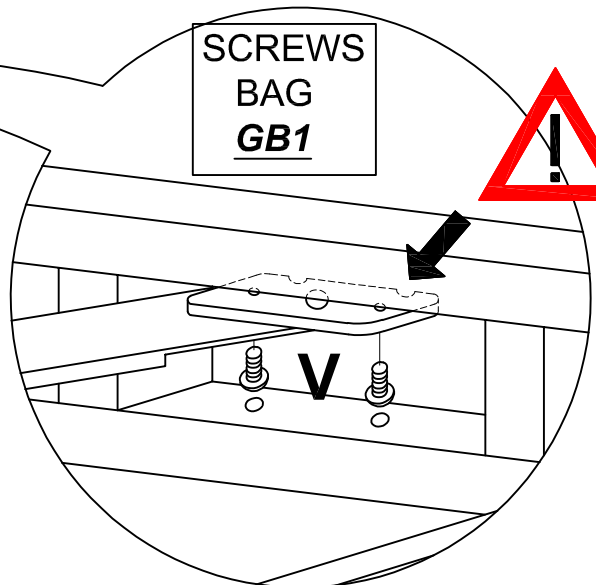
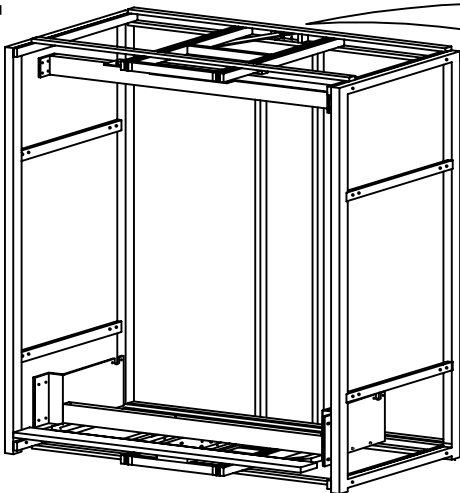
11



SCREWS
BAG
GB1

SCREWS
BAG
GB2

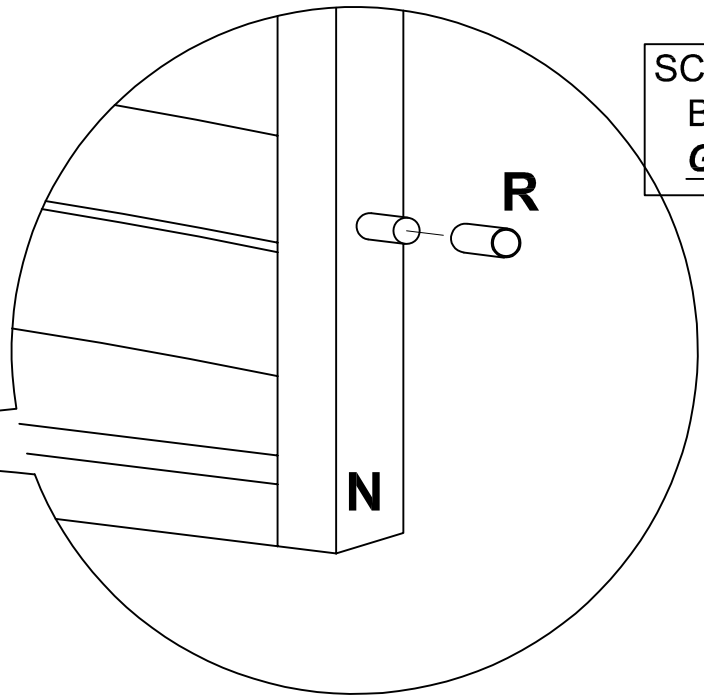
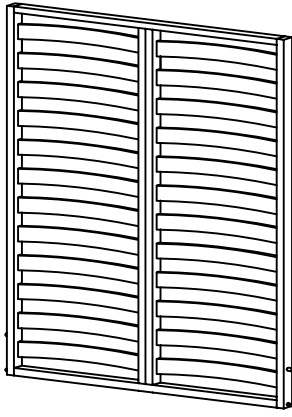
12



SCREWS
BAG
GB1

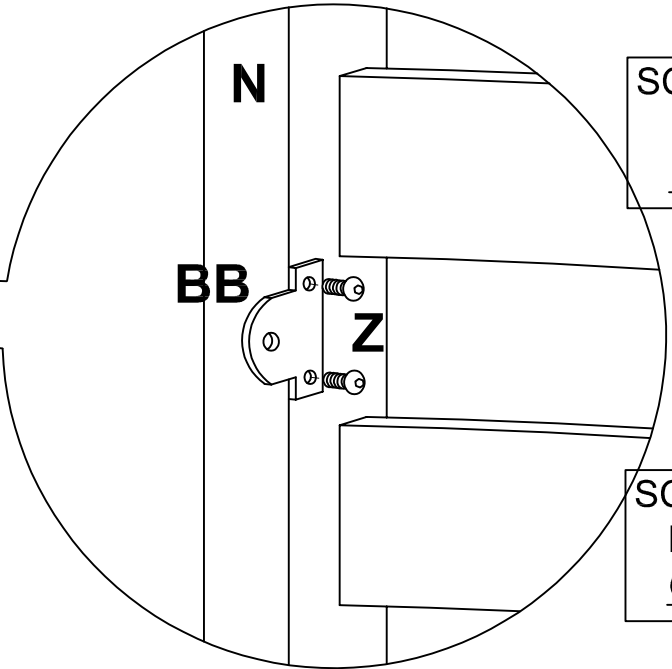
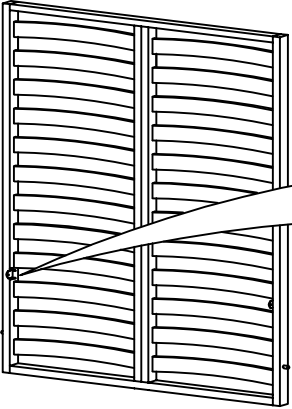


13



SCREWS
BAG
GA1

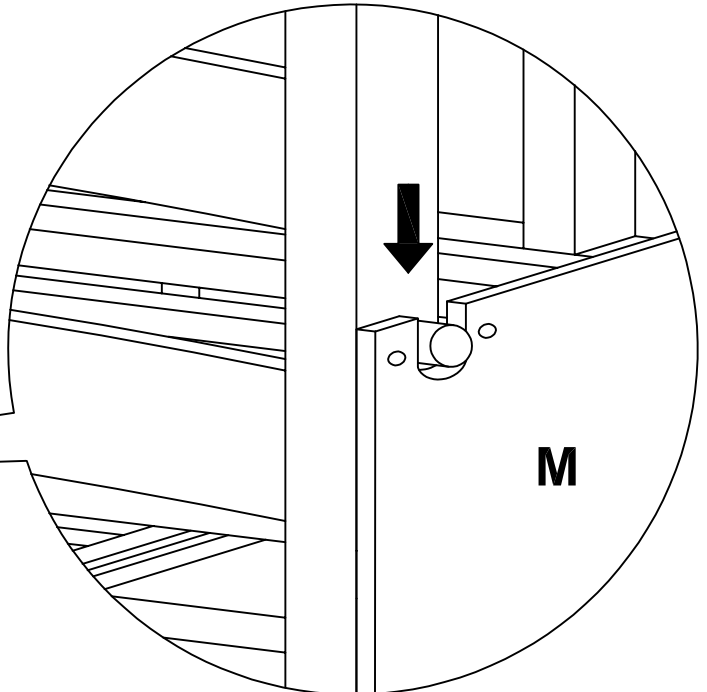
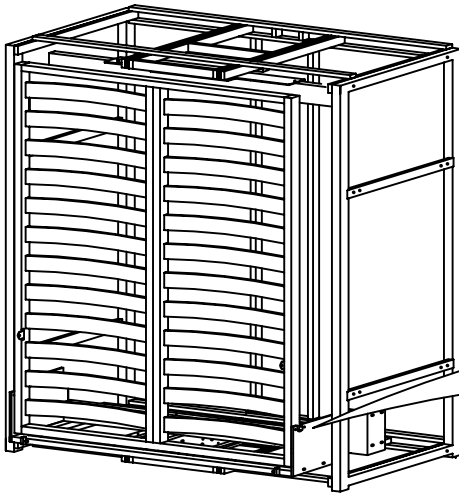
14



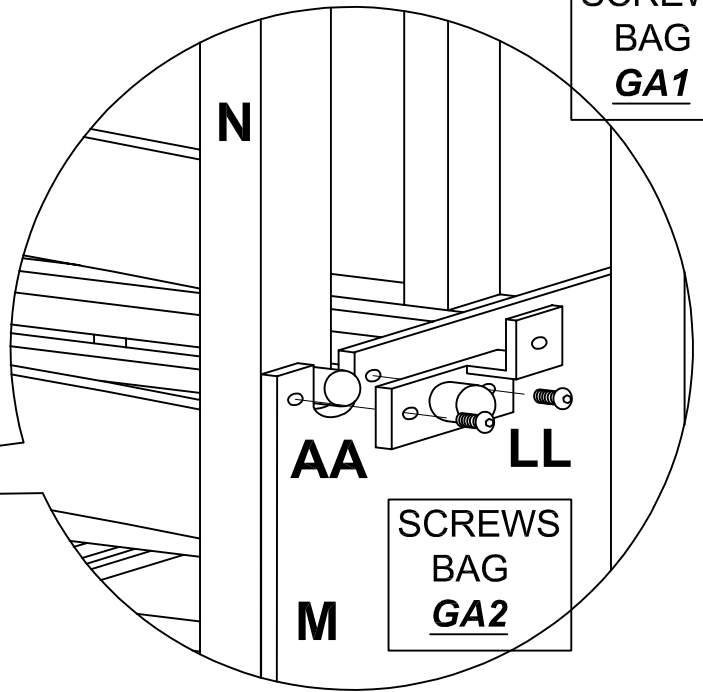
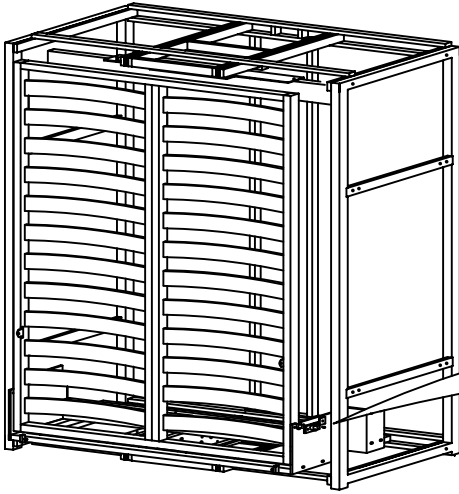
SCREWS
BAG
GA1

SCREWS
BAG
GA2

15



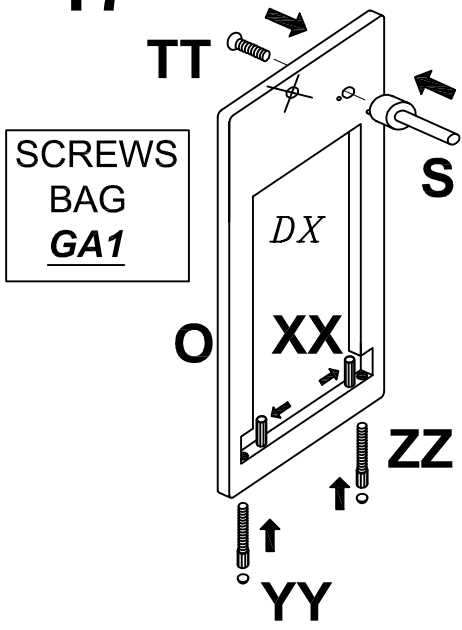
16



SCREWS BAG GA1

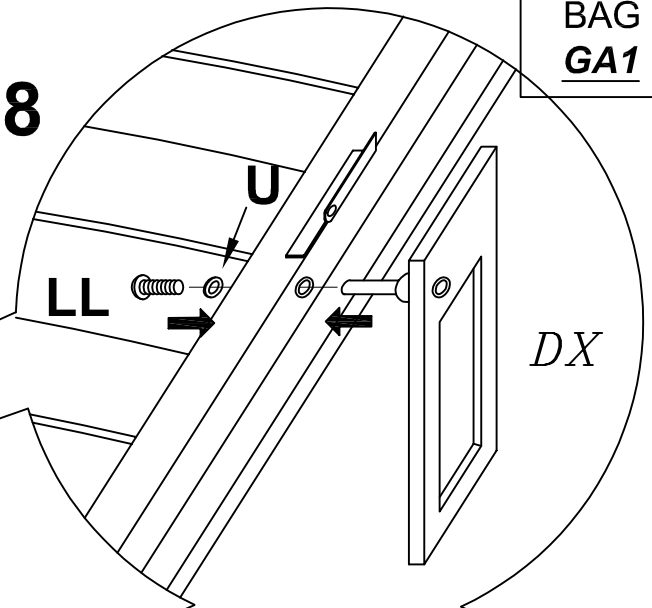
SCREWS BAG GA2

17



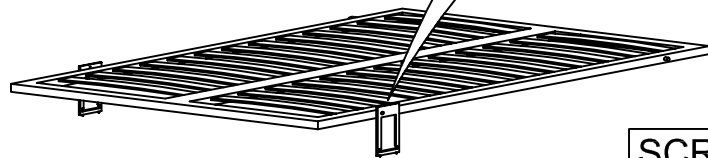
SCREWS BAG GA1

18

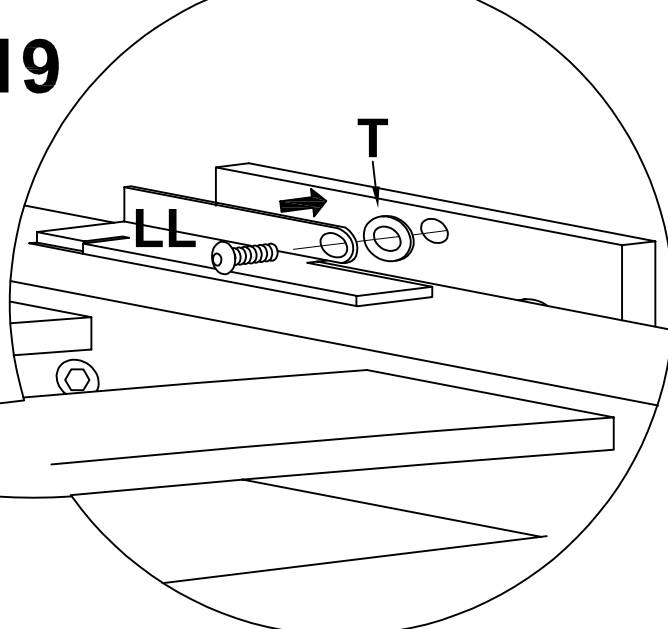


SCREWS BAG GA1

19

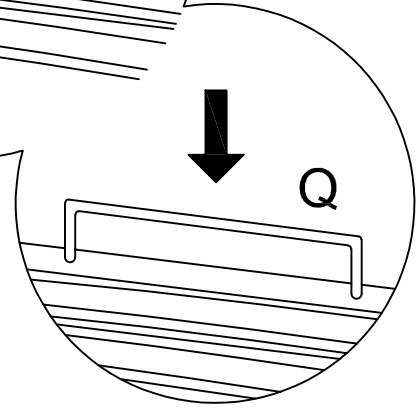
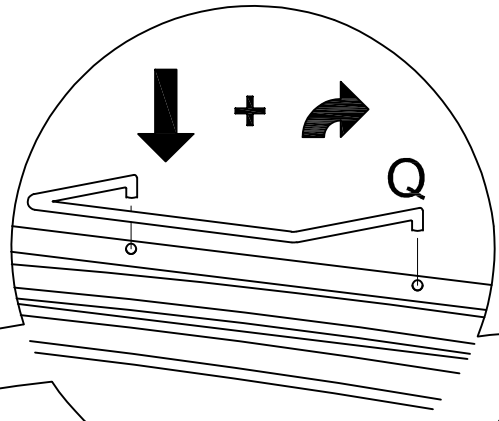
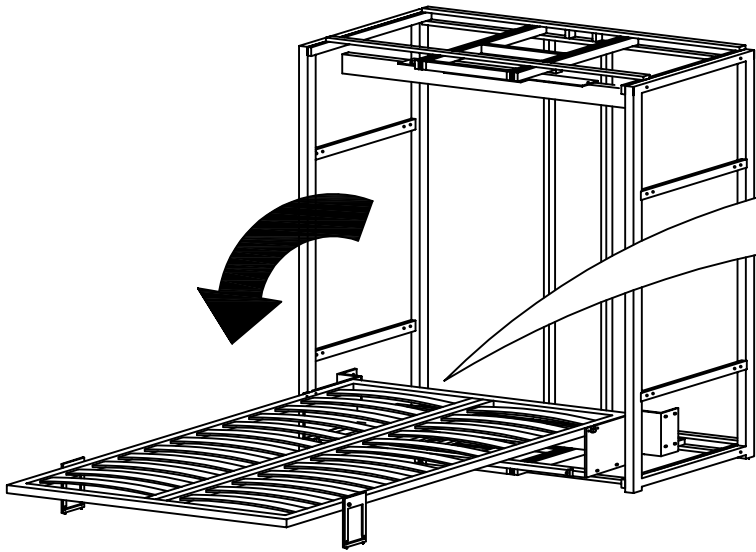


SCREWS BAG GA1

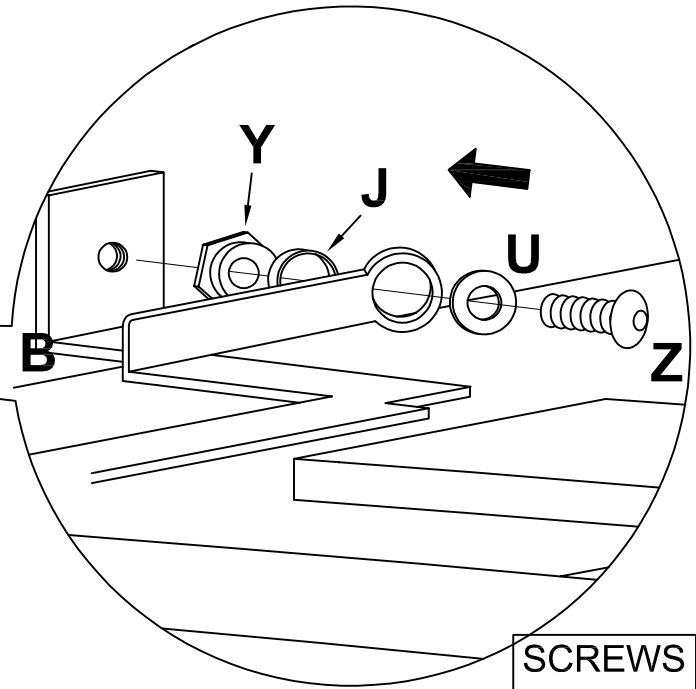
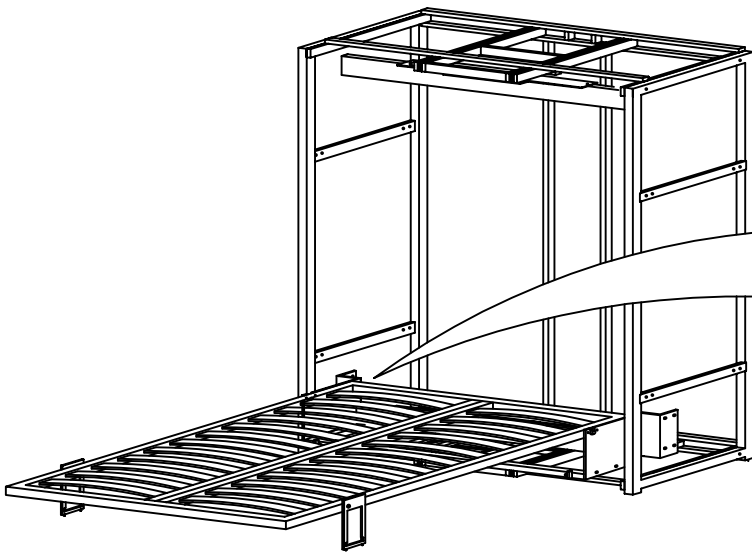


SCREWS BAG GA1

20



21



SCREWS
BAG
GA1

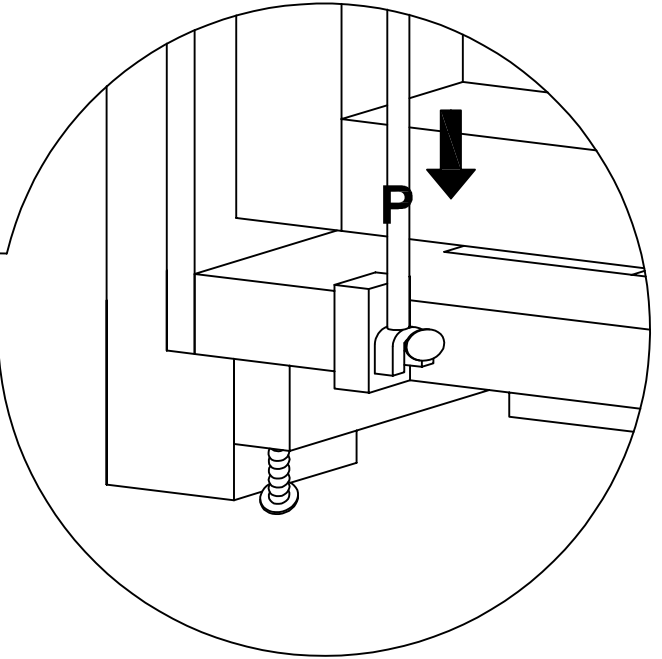
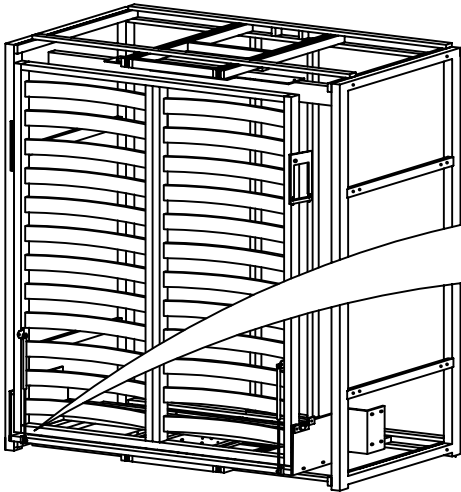
CORRECT ADJUSTMENT

- 1 *OPEN THE BED*
- 2 *PUT THE FEET PARALLEL TO THE FLOOR*
- 3 *SET THE SCREW (Z)*

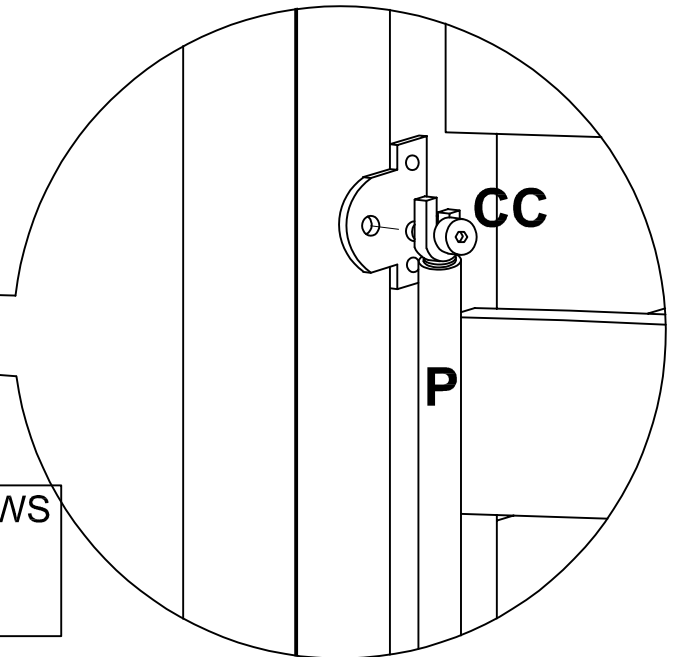
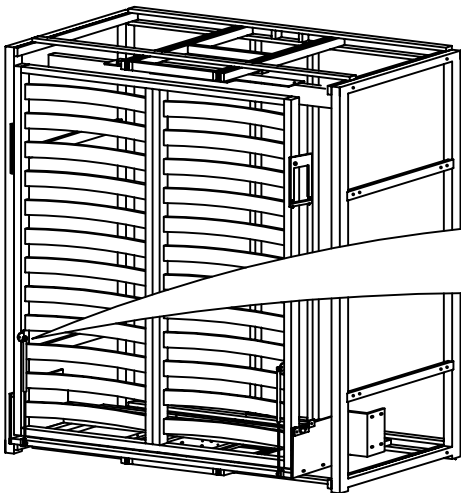


BEFORE INSTALLING THE PISTON AND MOVING THE METAL BASE IT IS NECESSARY TO COMPLETE THE INSTALLATION OF THE INTERNAL WOODEN SWIVEL CABINET

22



23



SCREWS
BAG
GA1