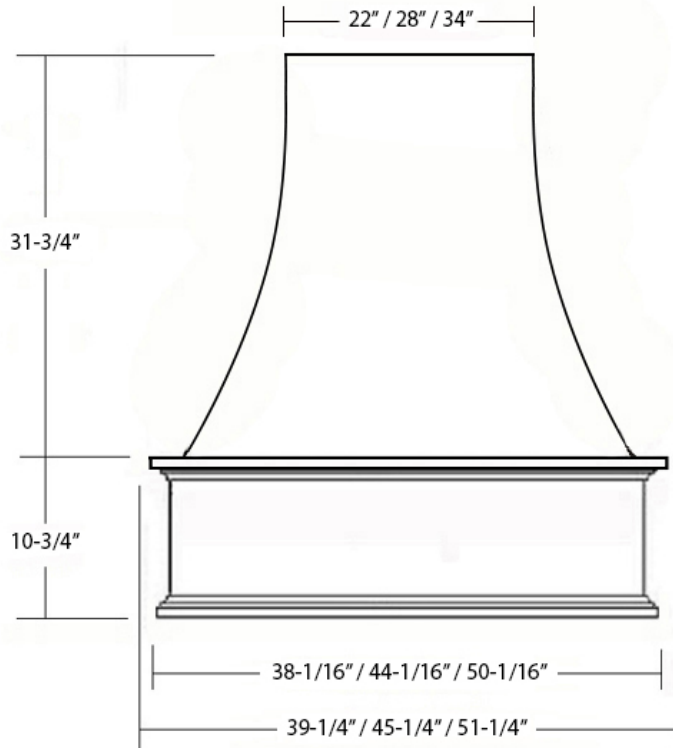
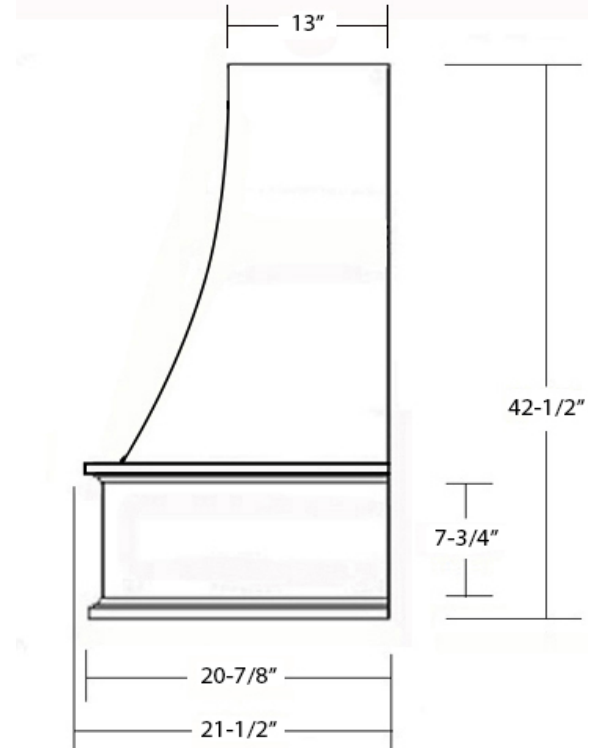


Epicurean Chimney Range Hood

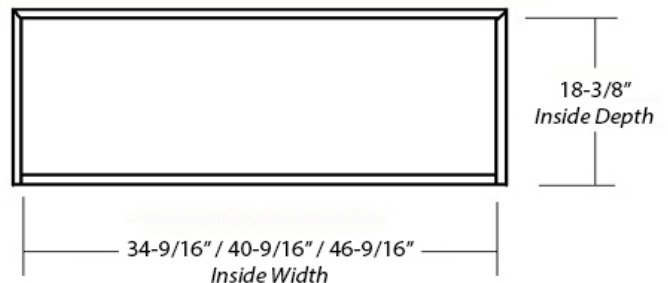
Front View



Side View



Item #	Dimensions (h) x (w) x (d)	Liner	Liner
SYWCVH36	42-1/2" x 39-1/4" x 21-1/2"	SYHLB36	SYHLZ36
SYWCVH42	42-1/2" x 45-1/4" x 21-1/2"	SYHLB42	SYHLZ42
SYWCVH48	42-1/2" x 51-1/4" x 21-1/2"	SYHLB48	SYHLZ48



- Veneer, Hardwood Plywood and Solid Lumber Construction
- 1/2" Rear Plywood Stretchers for wall mounting
- Accepts SY-HLB series Powder Coated or Stainless Steel Liners (*sold separately*)
- Select from 250, 390 and 500 CFM Broan Ventilation power packs (*sold separately*) or
- Ascension 350SL, 350SS, and 500SS CFM Ventilation power packs (*sold separately*) or
- 36" models accept Z-Line 900 CFM Professional Ventilators (*requires HLZ series Liners*)
- 42" and 48" models accept Z-Line 1200 CFM Professional Ventilators (*requires HLZ series Liners*)
- Optional 12", 24" and 36" height Chimney Extensions available
- Base section will accommodate Ornament sizes up to 6" x 24"