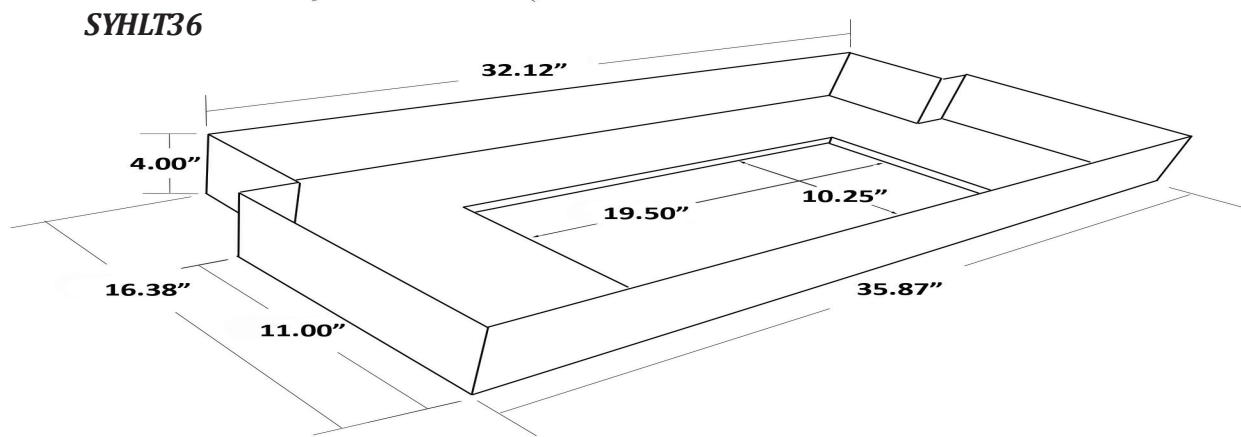
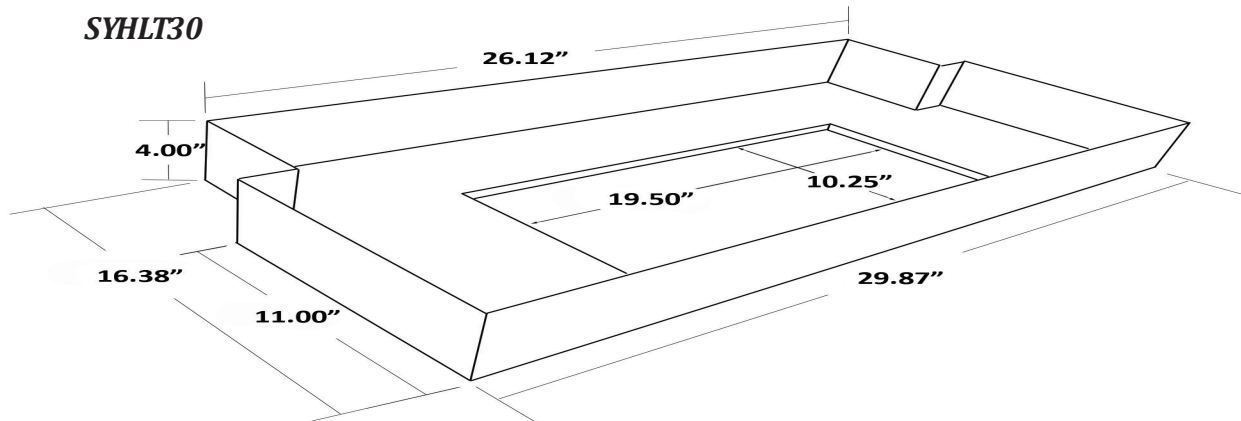
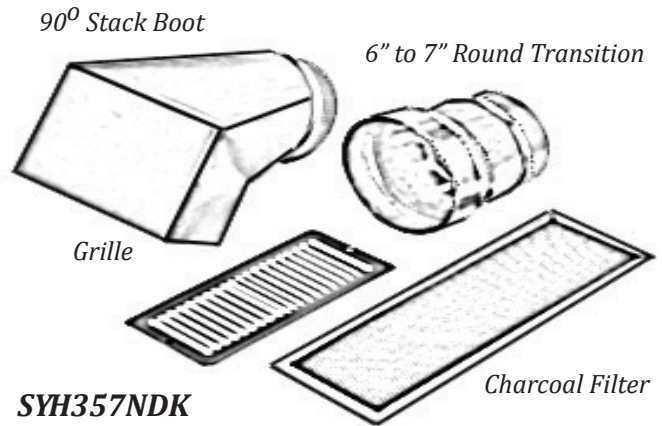
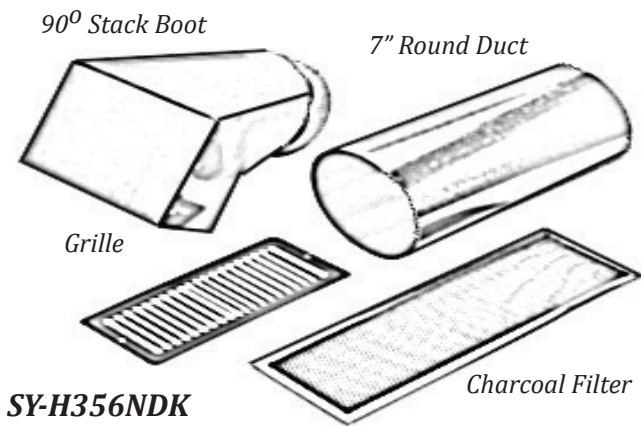


T-Shape Steel Hood Liners



Ductless Conversion Kits



Item #	Dimensions (h) x (w) x (d)
SYHLT30	4" x 29-7/8" x 16-3/8"
SYHLT36	4" x 35-7/8" x 16-3/8"
SYH356NDK	7" Round Duct
SYH357NDK	6" to 7" Round Transition

- Cold Rolled Steel Construction
- Silver Metallic powder coated finish
- For use in all Range Hood FRONTS
- Liners accept Broan ventilation units
- SY-HV-250SM
- SY-HV-390SM
- SY-HV-500SS
- Ductless kits for 250 and 390CFM only