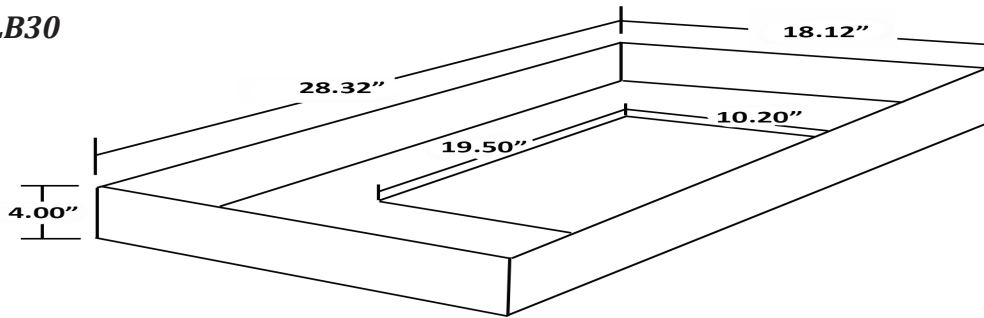
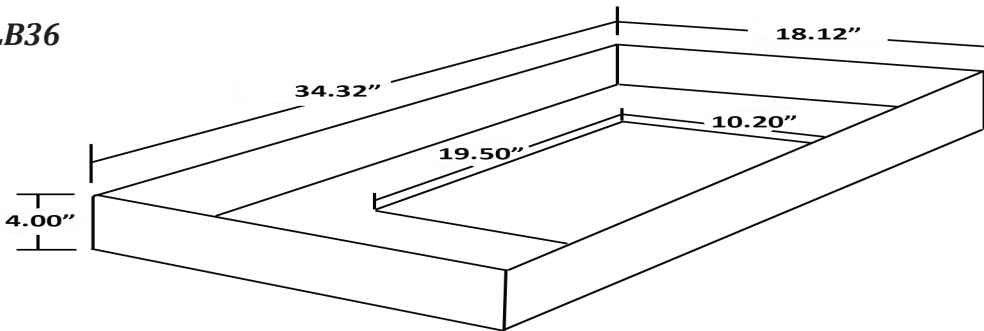


Rectangular Steel Hood Liners

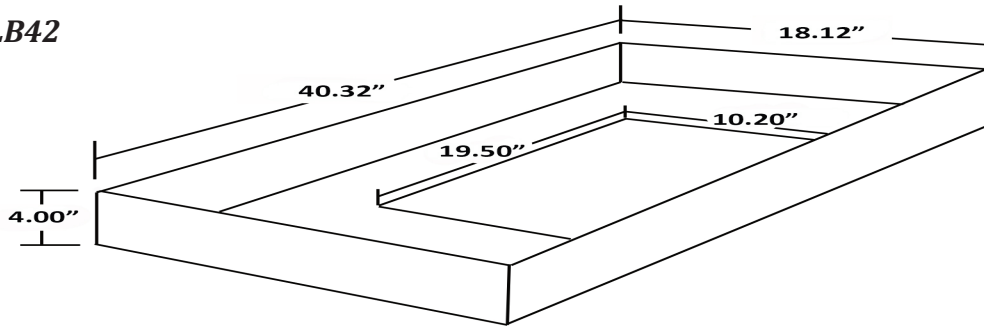
SYHLB30



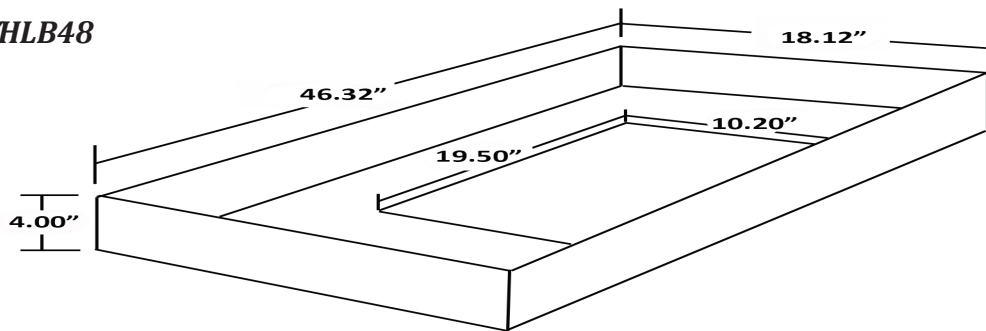
SYHLB36



SYHLB42



SYHLB48



Item #	Dimensions (h) x (w) x (d)
SYHLB30	4" x 28-21/64" x 18-1/8"
SYHLB36	4" x 34-21/64" x 18-1/8"
SYHLB42	4" x 40-21/64" x 18-1/8"
SYHLB48	4" x 46-21/64" x 18-1/8"

- Cold Rolled Steel Construction
- Silver Metallic powder coated finish
- For use in all full Chimney and Mantel style range hood configurations
- Accepts ventilation units
- SYHV250SM
- SYHV390SM
- SYHV500SS