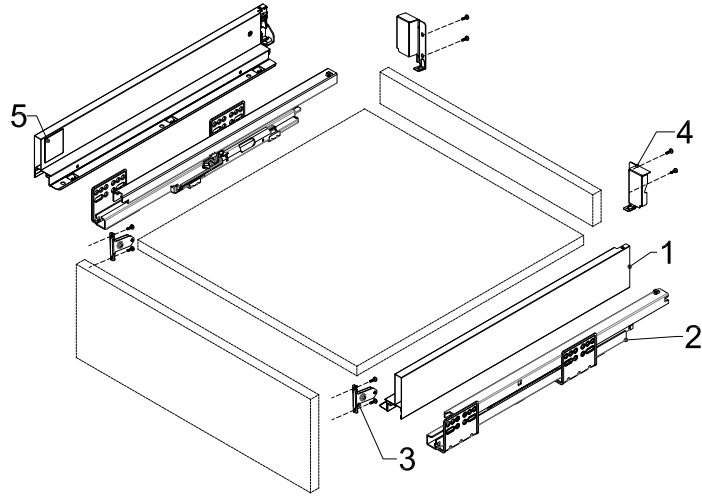




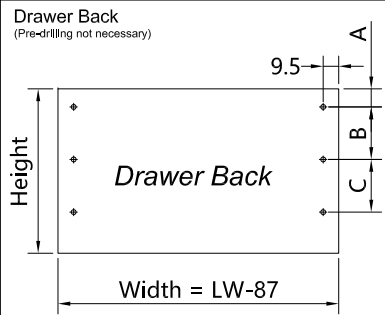
# AXIAL Drawer

## Components

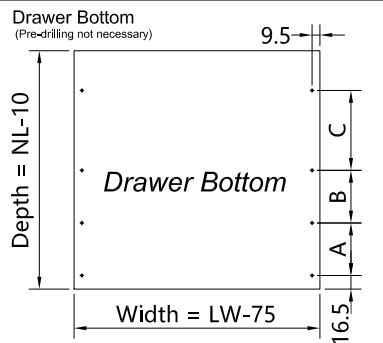


Item No.	Drawer Nominal Length (NL)	Min. Internal Cabinet Depth (LT)	
AXL□□□300△△△	300	303	
AXL□□□350△△△	350	353	
1. AXIAL drawer sides	AXL□□□400△△△	400	403
2. Slides	AXL□□□450△△△	450	453
3. Front Fixing Brackets (w/ dowel)	AXL□□□500△△△	500	503
4. Rear Brackets	AXL□□□550△△△	550	553
5. Side Cover Cap	□□□ : Drawer Height: 84 / 116 / 167 / 199      △△△: Finish (30 / 100 / 105)		

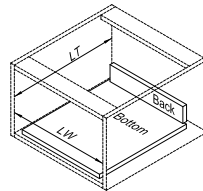
## Drawer Back & Drawer Bottom Dimensions - 16mm panel



Drawer Model	84	116	167	199
Back Width	LW - 87			
Back Height	68	100	151	183
A	20	20	11	20
B	32	32	64	64
C	n/a	32	64	64

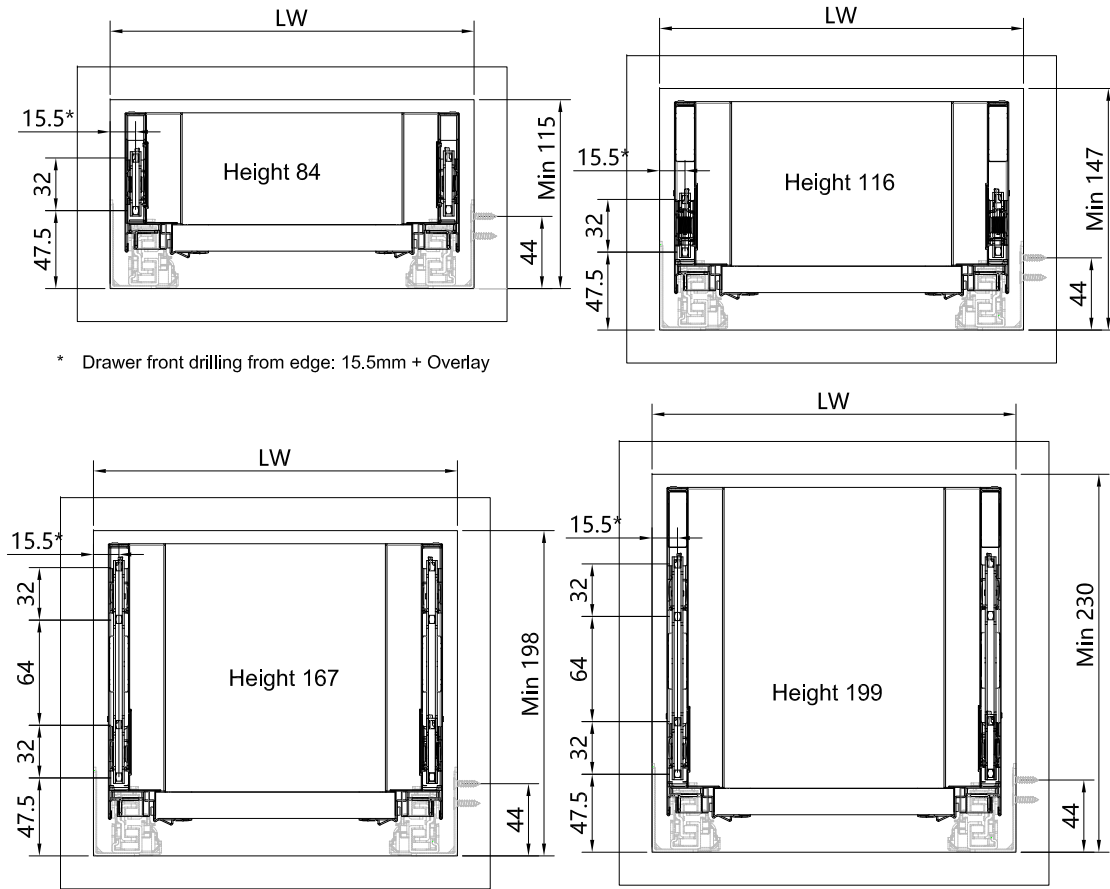


NL	300	350	400	450	500	550
Bottom Width	LW - 75					
Bottom Depth	NL - 10					
A	211	128	160	192	128	160
B	n/a	133	151	169	128	160
C	n/a	n/a	n/a	n/a	155	141



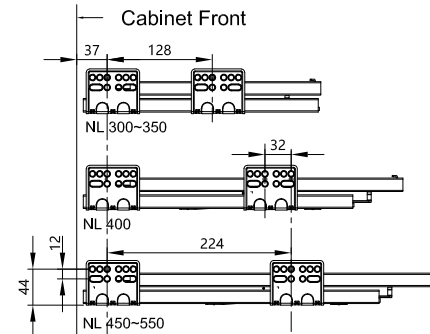
NL: Nominal length  
 LT: Internal cab. depth  
 LW: Internal cab. width

## Installation Dimensions (mm)



\* Drawer front drilling from edge: 15.5mm + Overlay

## Slides Mounting (mm)

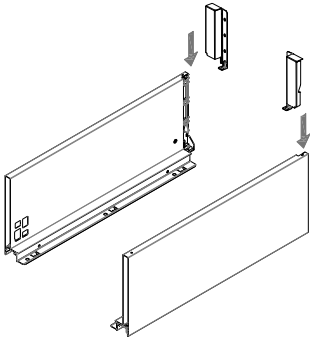


## Drawer Front Drilling (mm)

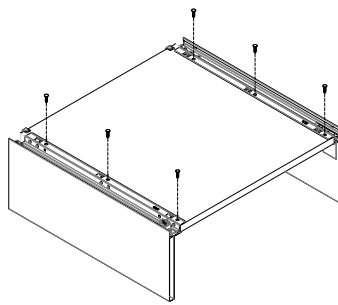
Ø2 x 12	Ø10 x 12
Screw-on	Expanding dowel
Ø7 x 5/8" Pan-head wood scr.	Ø10 expanding dowel
Height 84 / 116	Height 167 / 199

## Drawer Assembly

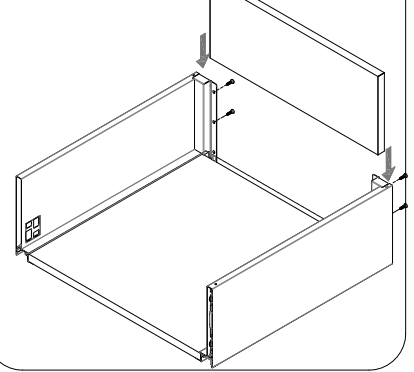
1. Install Rear Brackets to Drawer Sides



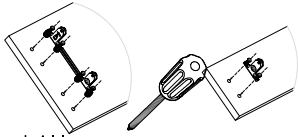
2. Mount drawer bottom



3. Mount drawer back

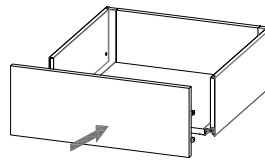


4. Mount Front Fixing Brackets to drawer front

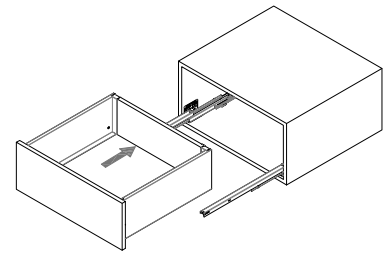


Pre-drill:  
 $\phi 10 \times 12.5\text{mm}$  for expanding dowels  
 $\phi 2 \times 12.5\text{mm}$  for screw-on

5. Insert drawer front

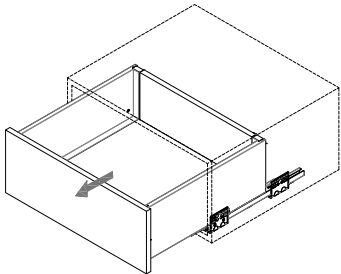


6. Insert drawer

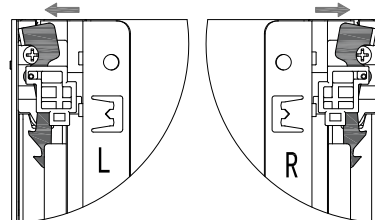


## Drawer Removal

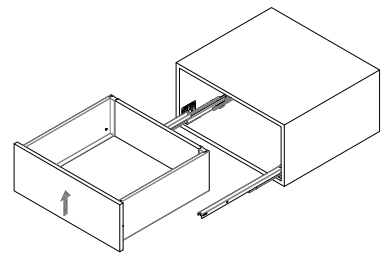
1. Fully open drawer



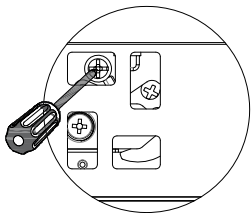
2. Press locking levers to release drawer from slides



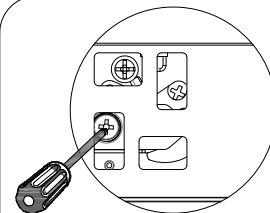
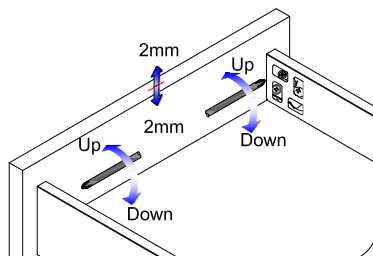
3. Lift & remove drawer



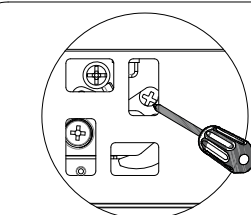
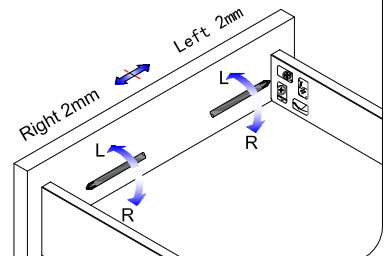
## Drawer Front Adjustments



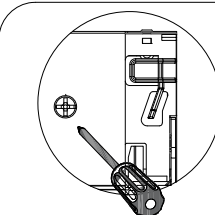
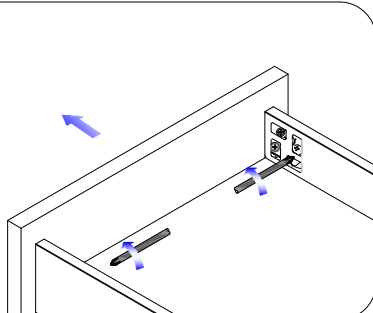
Vertical adjustment



Lateral adjustment



Removal



Tilting

