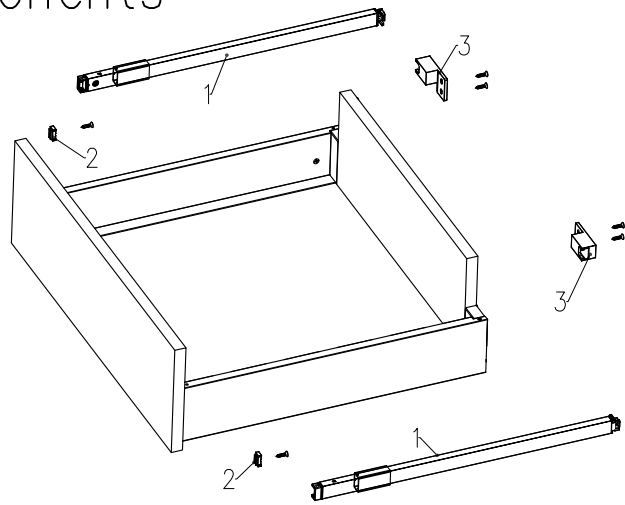


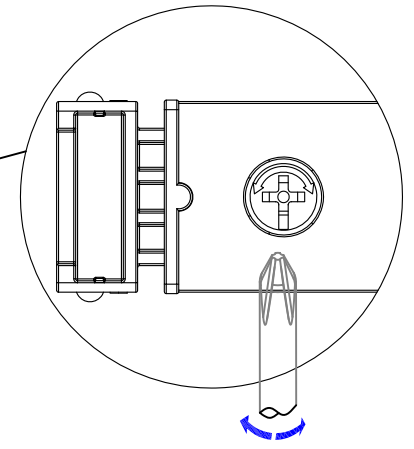
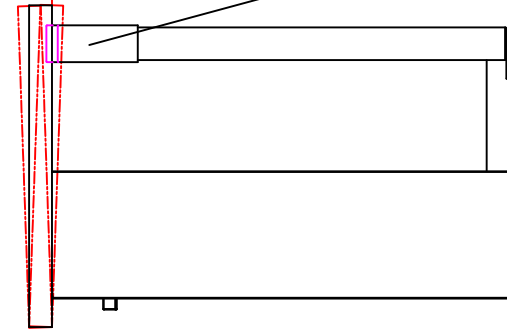
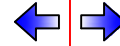
AXIAL Gallery Rail

Components



Front Tilting Adjustment

2mm 2mm



COMPONENTS:

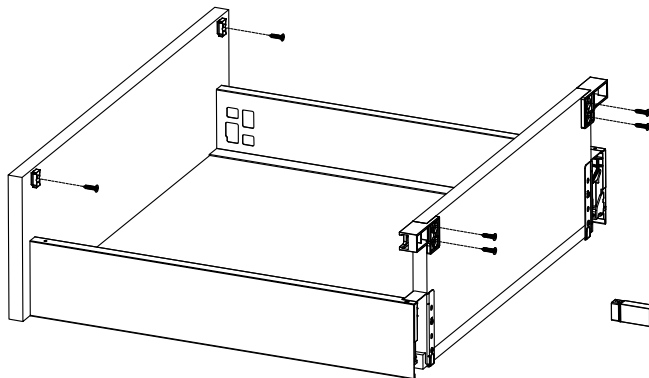
1. Gallery Rails (left & right)

2. Front Anchors (2 pieces)

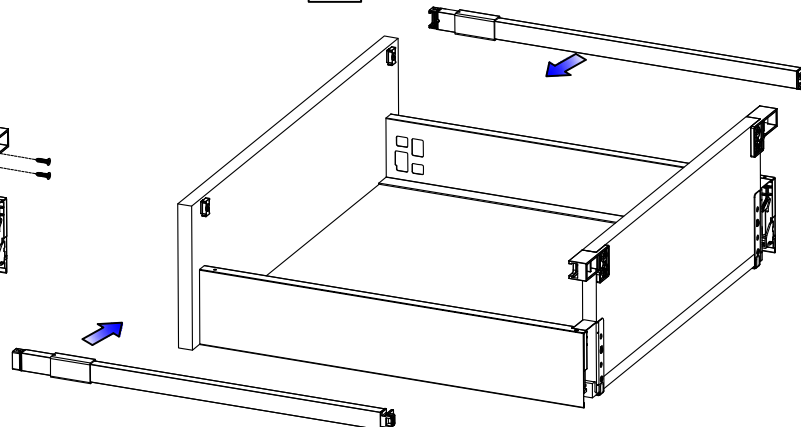
3. Rear Brackets (left & right)

Installation

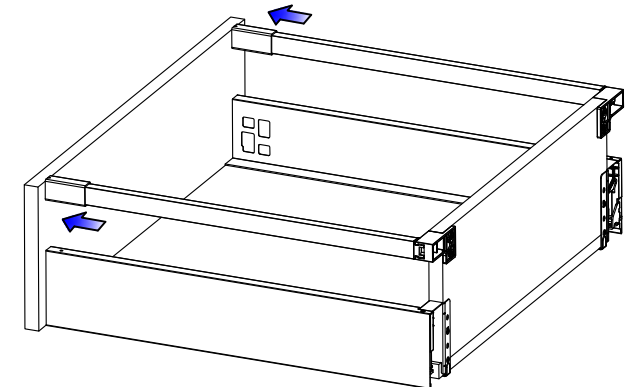
1



2



3



	Drawer Back Drilling (T: Top-up above standard height) (LW: Inner cabinet width)	Drawer Installation	Drawer Front Drilling (Drawer front drilling from edge: 15.5mm + Overlay)
AXIAL 84			<p> * For Gallery Rail (screw-fix) ** For Front Fixing Brackets (expand-dowel or screw-fix) </p>
AXIAL 116			<p> * For Gallery Rail (screw-fix) ** For Front Fixing Brackets (expand-dowel or screw-fix) </p>
AXIAL 167			<p> * For Gallery Rail (screw-fix) ** For Front Fixing Brackets (expand-dowel or screw-fix) </p>
AXIAL 199			<p> * For Gallery Rail (screw-fix) ** For Front Fixing Brackets (expand-dowel or screw-fix) </p>