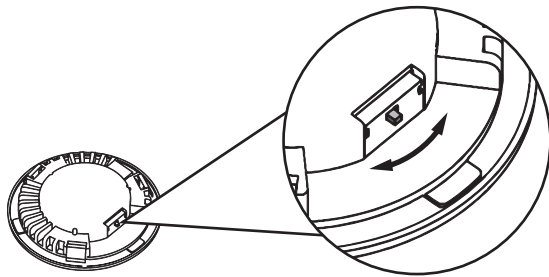
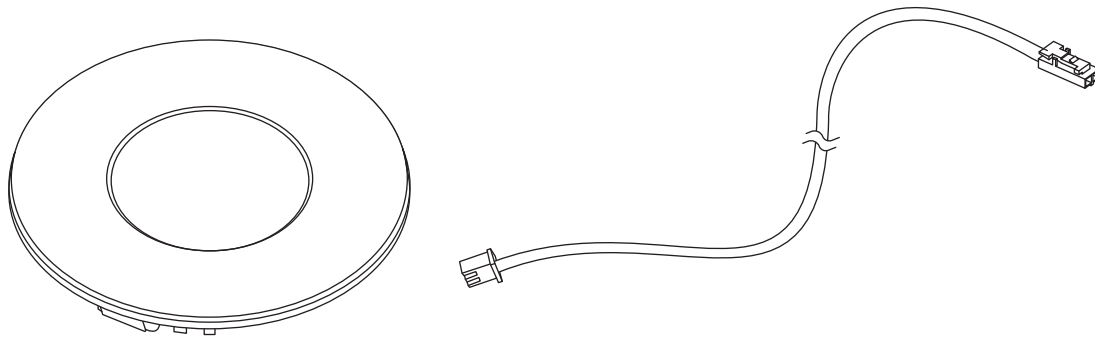


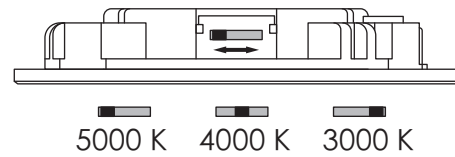
# Puck Light

Single CCT / CCT changing

## INSTALLATION SHEET



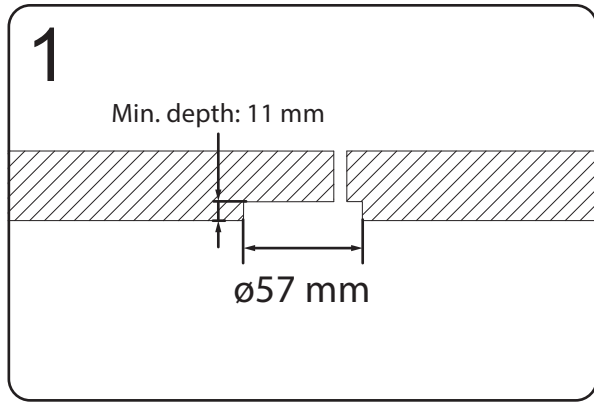
**Mechanical switch:**  
Choose CCT you need.  
(Single CCT version not available)



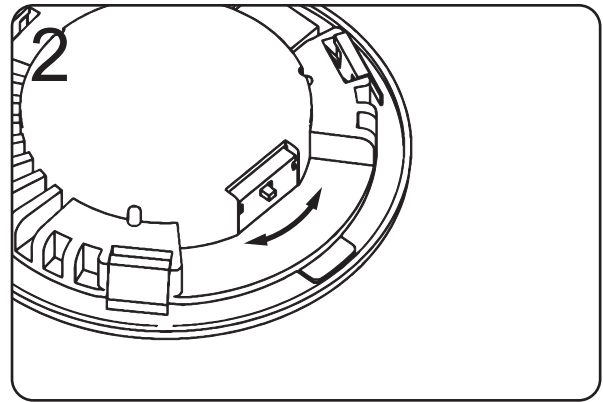
**CCT**

- 3000 K: warm white
- 4000 K: neutral white
- 5000 K: cold white

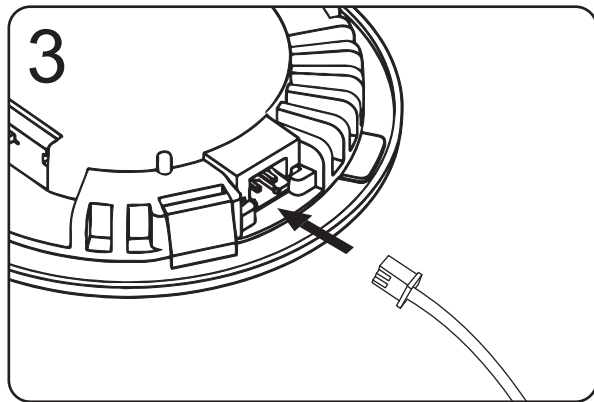
Input voltage	Power	Single CCT	CCT changing	RA	Input cable	Color
24 V DC	2.7 W	3000 K or 4000 K	3000 K / 4000 K / 5000 K	>90	79 inch	Black/White/ Aluminum/Chrome



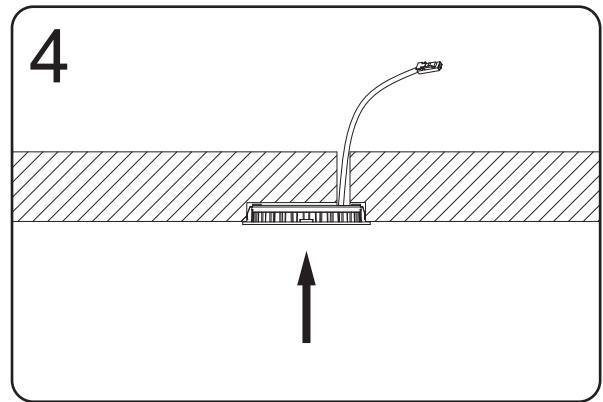
Make hole 57 mm in diameter.



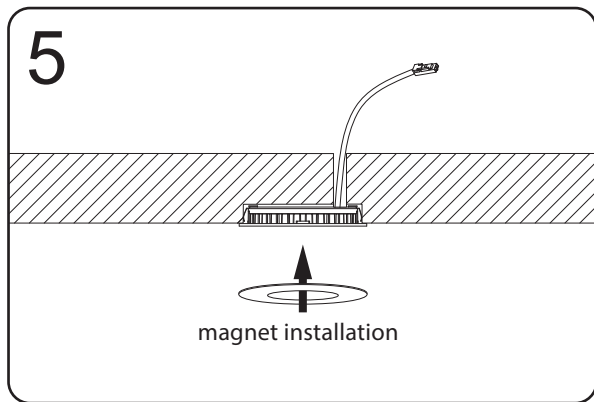
Mechanical switch. Choose CCT you need.  
(Single CCT version no selection needed)



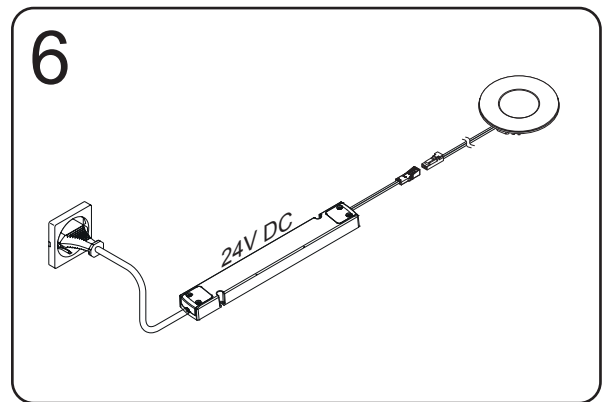
Connect input cable



Recess light into hole.



Install decorative ring.



Power up.