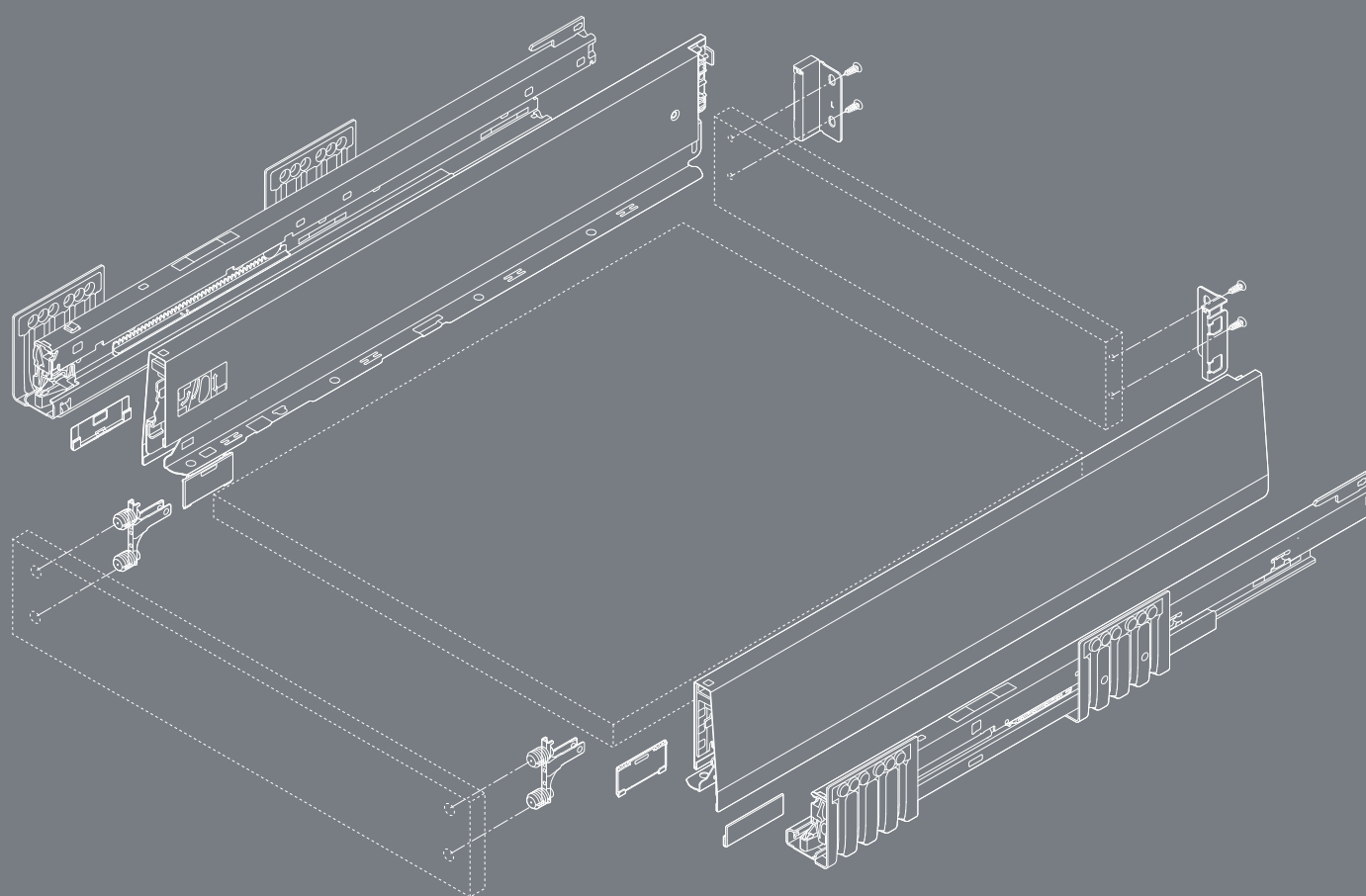


MERIVOBX

Ordering and planning information



Let's create –
The box platform
for your ideas





Contents

- 06 Overview of the product range
- 08 Drawer – height N
- 12 Drawer – height M
- 16 Inner drawer – height M
- 20 Drawer – height K
- 24 Inner drawer – height K
- High fronted pull-out – height E**
- 28 MERIVOBX modular with gallery
- 32 MERIVOBX modular with BOXCOVER
- 36 MERIVOBX modular with BOXCAP
- Inner pull-out – height E**
- 40 Front piece with gallery
- 44 Front piece with design element
- 48 Sink pull-out – height M
- 52 Sink pull-out – height E
- 58 Cabinet profile with over extension
for waste bin applications
- 60 Accessories
- 62 Assembly devices
- 64 TIP-ON BLUMOTION

Innovation drivers



Platform

It takes just a few components to create your own extensive range. And you can make furniture manufacturing even more efficient at the same time. Diverse and yet simple.

Design

MERIVOBX boasts straight lines and a striking look. Create your own diverse and unmistakable range of furniture! Modern minimalism meets distinctive design.

Functionality

MERIVOBX will inspire your customers for the lifetime of the furniture. The newly developed cabinet profile concept delivers extremely smooth running action and high load bearing capacity – coupled with a feather-light glide and enhanced stability.

Assembly

A well-thought-out concept. No matter which model you opt for, assembly is always simple and adjustment always the same. It is extremely easy to achieve precise results.

Our services at a glance

Our services support you throughout your entire process – from planning, to design, all the way through to manufacturing. Take advantage of our tried-and-tested and user-friendly services for your projects with MERIVOBX.



Concept, planning, quotation

Configure and save your MERIVOBX projects effortlessly online. Our Product and Cabinet Configurator provides you with checked and complete parts lists.



Design

Our Product and Cabinet Configurator supports you in the configuration of furniture and matching MERIVOBX fittings. Our CAD/CAM Data Service provides you with data on MERIVOBX in the most common formats for your design.



Ordering

Simply transfer your parts lists from the Product and Cabinet Configurator directly to the Onlineshop of selected distributors. To make it easy to order your MERIVOBX configuration, you can manage your different projects and order lists with ease under "My projects" and "My order lists".



Manufacturing

Use our configurators and appropriate assembly devices to accelerate your production process. Simply use the BXF interface and EASYSTICK to transfer your planning results to MINIPRESS.



Find out more about our E-SERVICES:

www.blum.com/e-services



Register now free of charge to take advantage of E-SERVICES.
e-services.blum.com

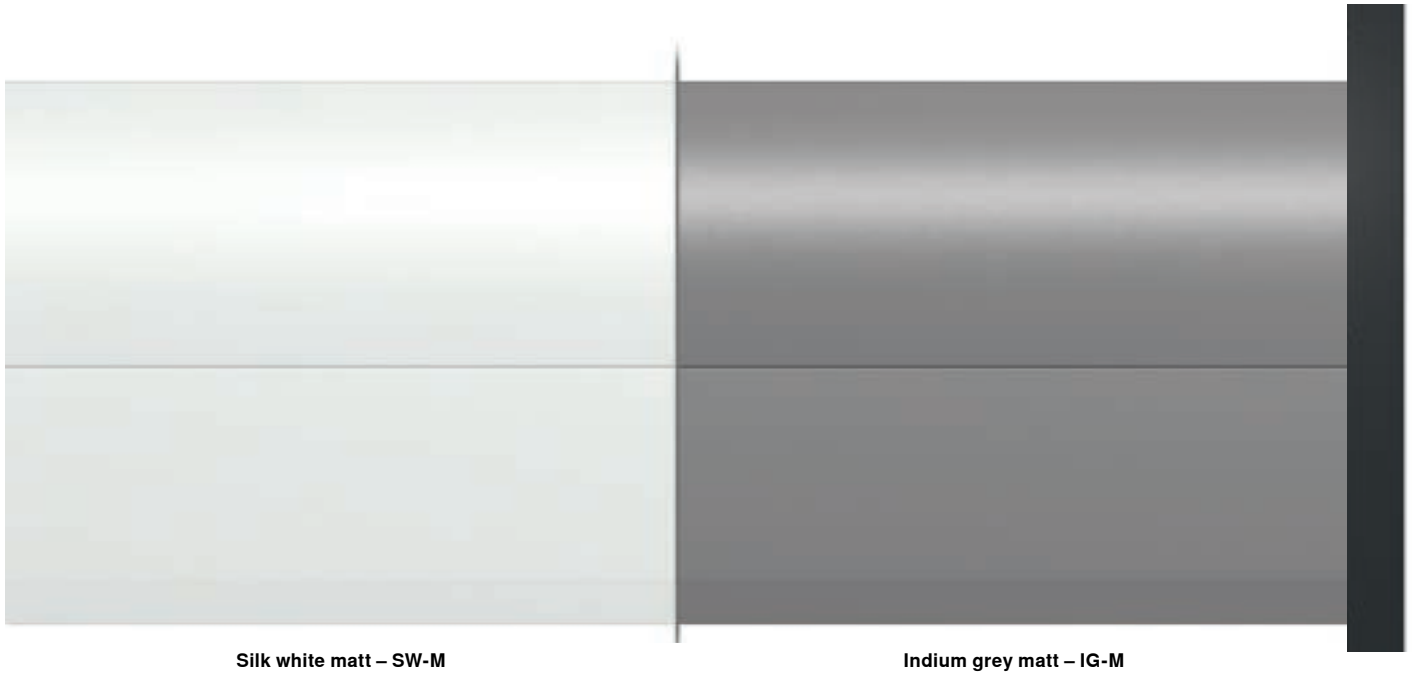
Our range at a glance



Facts

- Steel drawer sides in silk white matt and indium grey matt
- Distinctive drawer side design
- Straight on the inside with flush cover cap
- Synchronised feather-light glide
- Insert the front in the holding position and simply clip on (easy attachment even if pull-out is already in place)
- 3-dimensional front adjustment

Range



Silk white matt – SW-M

Indium grey matt – IG-M

Drawer side heights

Drawer



Height N
68.5 mm



Height M
91 mm



Height K
129 mm

Inner drawer



Height M
91 mm



Height K
129 mm

High fronted pull-out options



Height E
192 mm



Height E
192 mm



Height E
192 mm

High fronted pull-out options (using BOXCAP as an example)



Height E
192 mm



Height E
192 mm



Height E
192 mm

Sink pull-out



Height M
91 mm



Height E
192 mm

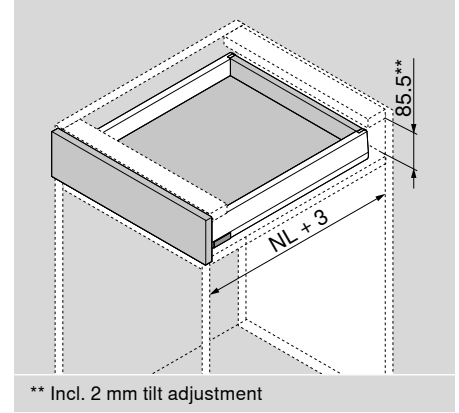
Product



Description

- BLUMOTION cabinet profile for all applications with interface for TIP-ON BLUMOTION and side stabilizer
- Can be combined with SERVO-DRIVE

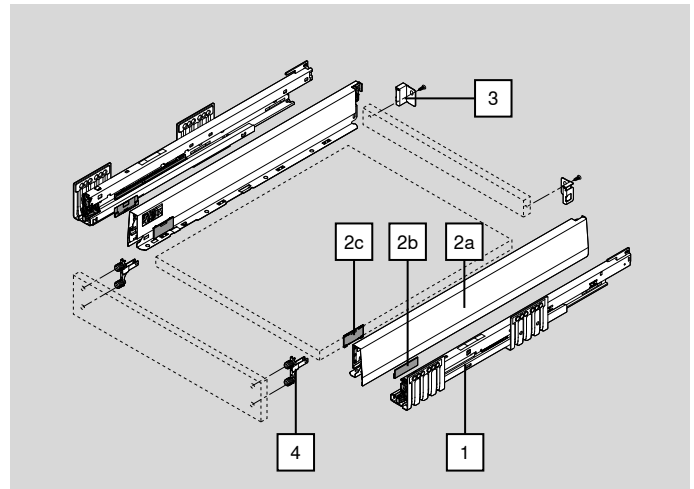
Space requirement



Ordering information

1	Cabinet profile left/right	
	Nominal length NL (mm)	BLUMOTION* 40 kg
	400	450.4001B
	450	450.4501B
	500	450.5001B
	550	450.5501B

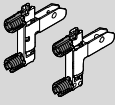
* Suitable for SERVO-DRIVE and TIP-ON BLUMOTION




2		Drawer side set		
	Height of drawer side (mm)	N	68.5	
	Nominal length NL (mm)			SW-M IG-M
	400			470N4002S
	450			470N4502S
	500			470N5002S
	550			470N5502S
Consisting of:				
2a	1 x	Drawer side left/right		
2b	2 x	Branding element, stamped with Blum logo, custom printed from 1000 pcs		
2c	2 x	Cover caps		


3		Chipboard back fixings left/right		
	Height	Material	SW-M	IG-M
	N	Steel	ZB4N000S	


Ordering information

	4 Front fixing bracket		
	Fixing method		
	EXPANDO T	2 x	ZF4.10T2
	INSERTA	2 x	ZF4.10I2
	Screw-on*	2 x	ZF4.10O2
* Screws not included in scope of delivery			
EXPANDO T suitable for thin fronts – see page 61			

Accessories

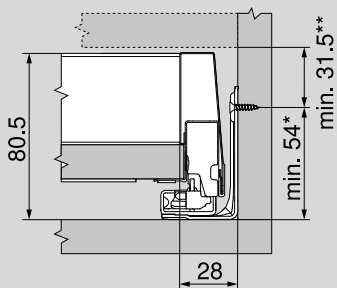
Chipboard screw			
	Ø (mm)	Length (mm)	
	3.5	15	For connecting the cabinet profile to the cabinet
	3.5	17	For front fixing bracket (screw-on)
In order to achieve optimal assembly, we recommend that you use flat headed screws for the chipboard back and drawer side			

Fixing screw (flat headed screw)			
	Ø (mm)	Length (mm)	Maximum screw head height: 2 mm
	3.5	15	For the connection of chipboard back fixings with chipboard back and drawer sides with drawer base
In order to achieve optimal assembly, we recommend that you use flat headed screws for the chipboard back and drawer side			

System screws			
	Ø (mm)	Length (mm)	
	6	14.5	For connecting the cabinet profile to the cabinet

Planning

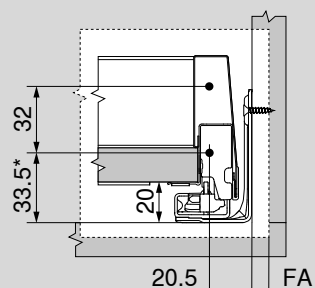
Space requirements in the cabinet



* + 1 mm if cabinet profile is installed before cabinet is assembled

** Incl. 2 mm tilt adjustment

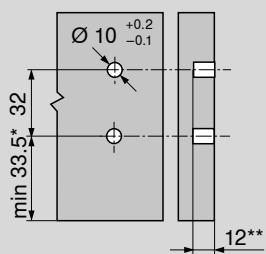
Front installation dimensions for screw-on assembly



* + 1 mm if cabinet profile is installed before cabinet is assembled

FA Front overlay

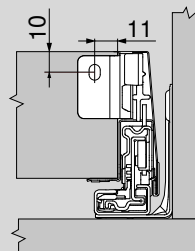
Front drilling distances for INSERTA/EXPANDO T



* + 1 mm if cabinet profile is installed before cabinet is assembled

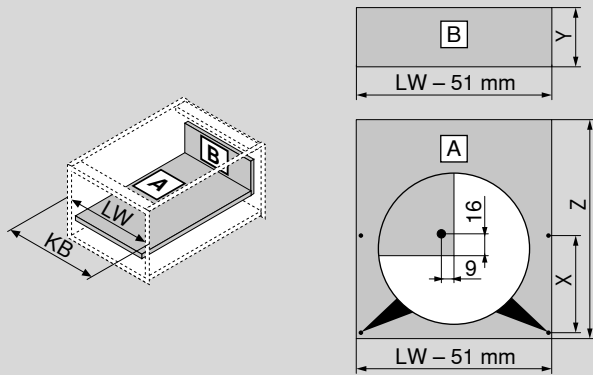
** min. 6 mm for EXPANDO T

Back installation dimensions



Planning

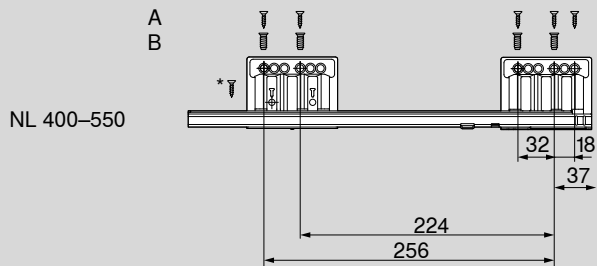
Cutting dimensions for 16 mm chipboard



Chipboard back		Y (mm)
Height		60.5
Base length		Z (mm)
Chipboard back		NL - 26
Position of drawer base drill hole		
Pre-drilling possible when using a flat headed screw	NL (mm)	X (mm)
	> 400	256
KB Cabinet width		
LW Internal cabinet width		
NL Nominal length		

Cabinet profile screw position – 40 kg

Nominal length NL (mm)



A	Chipboard screw Ø 4 x 15 mm
B	System screws Ø 6 x 14.5 mm
*	For greater lateral stability Chipboard screw Ø 4 x 15 mm
Internal cabinet depth LT min. = NL + 3 mm	

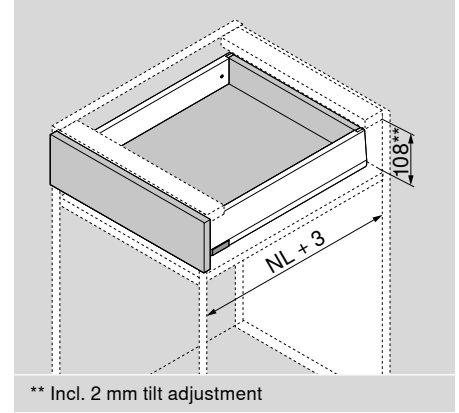
Product



Description

- BLUMOTION cabinet profile for all applications with interface for TIP-ON BLUMOTION and side stabilizer
- Can be combined with SERVO-DRIVE

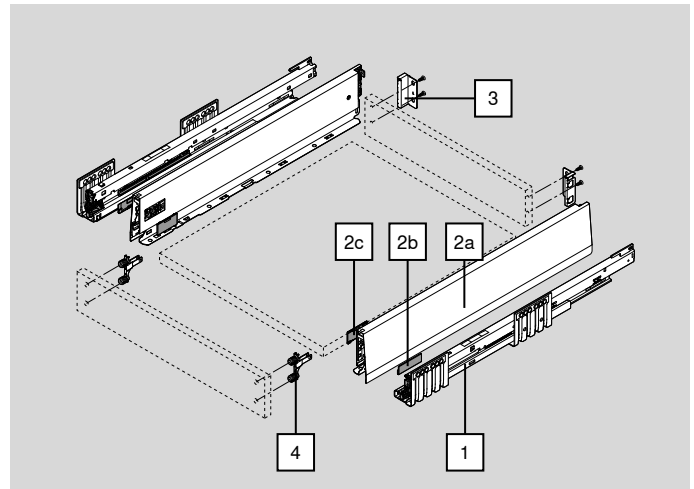
Space requirement



Ordering information

1	Cabinet profile left/right		
	Nominal length NL (mm)	BLUMOTION*	
		40 kg	70 kg
	270	450.2701B	
	350	450.3501B	
	400	450.4001B	
	450	450.4501B	453.4501B
	500	450.5001B	453.5001B
	550	450.5501B	453.5501B
	600	450.6001B	453.6001B

* Suitable for SERVO-DRIVE and TIP-ON BLUMOTION



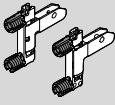
2	Drawer side set				
	Height of drawer side (mm)	M	91		
	Nominal length NL (mm)			SW-M	IG-M
	270			470M2702S	
	350			470M3502S	
	400			470M4002S	
	450			470M4502S	
	500			470M5002S	
	550			470M5502S	
	600			470M6002S	

Consisting of:


2a	1 x	Drawer side left/right
2b	2 x	Branding element, stamped with Blum logo, custom printed from 1000 pcs
2c	2 x	Cover caps


3	Chipboard back fixings left/right			
	Height	Material	SW-M	IG-M
	M	Steel	ZB4M000S	


Ordering information

	4 Front fixing bracket		
	Fixing method		
	EXPANDO T	2 x	ZF4.10T2
	INSERTA	2 x	ZF4.10I2
	Screw-on*	2 x	ZF4.10O2
* Screws not included in scope of delivery			
EXPANDO T suitable for thin fronts – see page 61			

Accessories

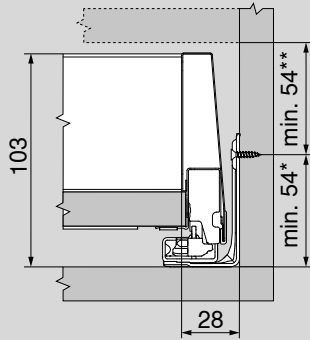
Chipboard screw			
	Ø (mm)	Length (mm)	
	3.5	15	For connecting the cabinet profile to the cabinet
	3.5	17	For front fixing bracket (screw-on)
In order to achieve optimal assembly, we recommend that you use flat headed screws for the chipboard back and drawer side			

Fixing screw (flat headed screw)			
	Ø (mm)	Length (mm)	Maximum screw head height: 2 mm
	3.5	15	For the connection of chipboard back fixings with chipboard back and drawer sides with drawer base
In order to achieve optimal assembly, we recommend that you use flat headed screws for the chipboard back and drawer side			

System screws			
	Ø (mm)	Length (mm)	
	6	14.5	For connecting the cabinet profile to the cabinet

Planning

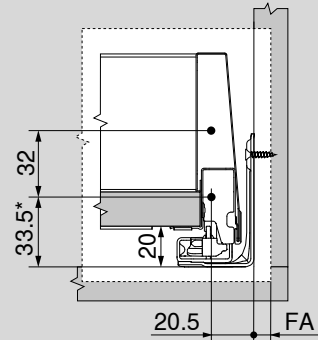
Space requirements in the cabinet



* + 1 mm if cabinet profile is installed before cabinet is assembled

** Incl. 2 mm tilt adjustment

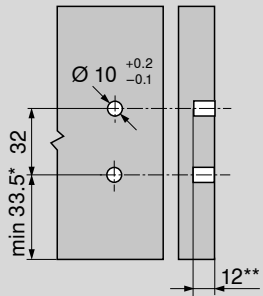
Front installation dimensions for screw-on assembly



* + 1 mm if cabinet profile is installed before cabinet is assembled

FA Front overlay

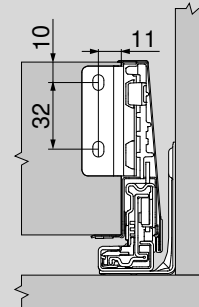
Front drilling distances for INSERTA/EXPANDO T



* + 1 mm if cabinet profile is installed before cabinet is assembled

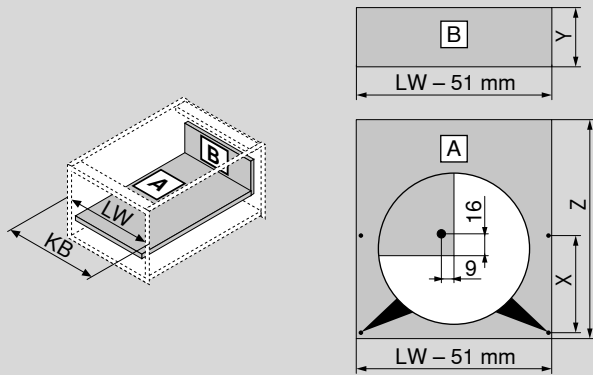
** min. 6 mm for EXPANDO T

Back installation dimensions



Planning

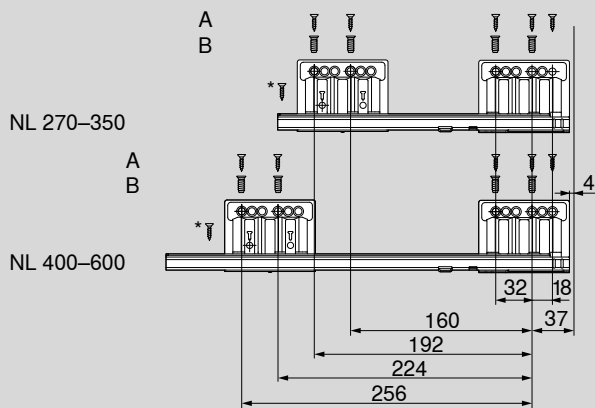
Cutting dimensions for 16 mm chipboard



Chipboard back	Y (mm)	
Height	83	
Base length	Z (mm)	
Chipboard back	NL - 26	
Position of drawer base drill hole		
Pre-drilling possible when using a flat headed screw	NL (mm)	X (mm)
	270	128
	> 350	256
KB Cabinet width		
LW Internal cabinet width		
NL Nominal length		

Cabinet profile screw position – 40 kg

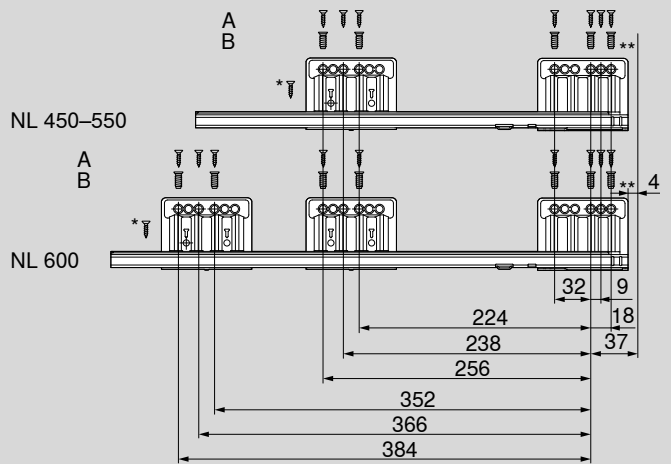
Nominal length NL (mm)



A	Chipboard screw Ø 4 x 15 mm
B	System screws Ø 6 x 14.5 mm
*	For greater lateral stability Chipboard screw Ø 4 x 15 mm
Internal cabinet depth LT min. = NL + 3 mm	

Cabinet profile screw position – 70 kg

Nominal length NL (mm)



A	Chipboard screw Ø 4 x 15 mm
B	System screws Ø 6 x 14.5 mm
*	For greater lateral stability Chipboard screw Ø 4 x 15 mm
**	For greater vertical stability Can be replaced with chipboard screw Ø 4 x 15 mm
Internal cabinet depth LT min. = NL + 3 mm	

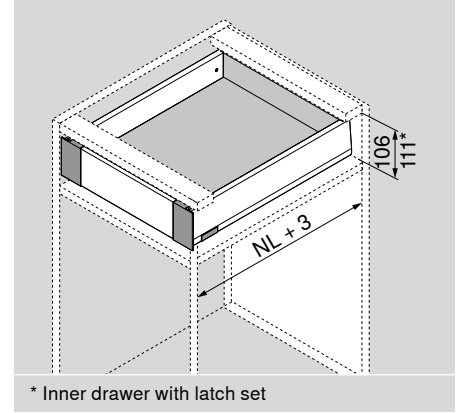
Product



Description

- Inner drawer with closed front piece
- Front piece and drawer sides are colour-coordinated
- Back height M
- Identical position of the cabinet profile

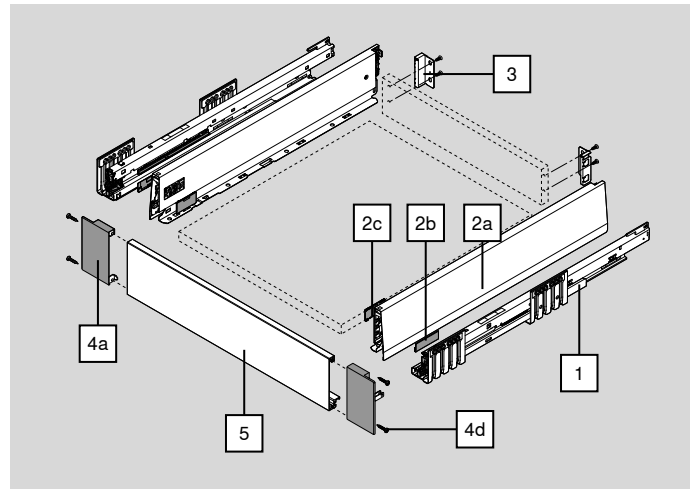
Space requirement



Ordering information

1	Cabinet profile left/right		
	Nominal length NL (mm)	BLUMOTION*	
		40 kg	70 kg
	270	450.2701B	
	350	450.3501B	
	400	450.4001B	
	450	450.4501B	453.4501B
	500	450.5001B	453.5001B
	550	450.5501B	453.5501B
	600	450.6001B	453.6001B

* Suitable for SERVO-DRIVE and TIP-ON BLUMOTION



2	Drawer side set			
	Height of drawer side (mm)	M	91	
	Nominal length NL (mm)			SW-M
	270			470M2702S
	350			470M3502S
	400			470M4002S
	450			470M4502S
	500			470M5002S
	550			470M5502S
	600			470M6002S

Consisting of:

2a	1 x	Drawer side left/right
2b	2 x	Branding element, stamped with Blum logo, custom printed from 1000 pcs
2c	2 x	Cover caps

3	Chipboard back fixings left/right		
	Height	Material	SW-M
	M	Steel	ZB4M000S

Ordering information

4		Front piece set		
	Height	Material	SW-M	IG-M
	M	Steel	Z14.0MS1	
Consisting of:				
4a	1 x	Front fixing left/right		
4b	2 x	Internal cover cap		
4c	1 x	Locking piece		
4d	4 x	Screws		

5		Front piece without groove		
	Material	SW-M	IG-M	
	Aluminium	ZV4.1042M		
	Suitable for cabinet width KB up to 1200 mm			
For cutting to size				
Cutting:	Internal cabinet width LW - 126 mm			

Latch set (optional)*				
	Material	SW-M	IG-M	
	Nylon	Z17.0M07		
Latch must be mounted on the front piece				
* Cannot be used in combination with TIP-ON BLUMOTION				
Consisting of:				
Latch				
Latch housing (RAL 7037 dust grey)				

Accessories

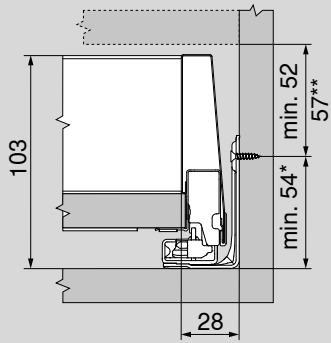
Chipboard screw			
	Ø (mm)	Length (mm)	
	3.5	15	For connecting the cabinet profile to the cabinet
	3.5	17	For front fixing bracket (screw-on)
In order to achieve optimal assembly, we recommend that you use flat headed screws for the chipboard back and drawer side			

Fixing screw (flat headed screw)			
	Ø (mm)	Length (mm)	Maximum screw head height: 2 mm
	3.5	15	For the connection of chipboard back fixings with chipboard back and drawer sides with drawer base
In order to achieve optimal assembly, we recommend that you use flat headed screws for the chipboard back and drawer side			

System screws			
	Ø (mm)	Length (mm)	
	6	14.5	For connecting the cabinet profile to the cabinet

Planning

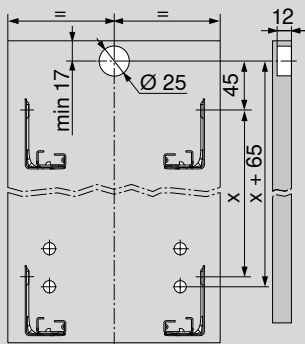
Space requirements in the cabinet



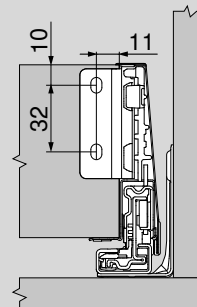
* + 1 mm if cabinet profile is installed before cabinet is assembled

** Inner drawer with latch set possible from height 57 mm

Front drilling distances for latch housing

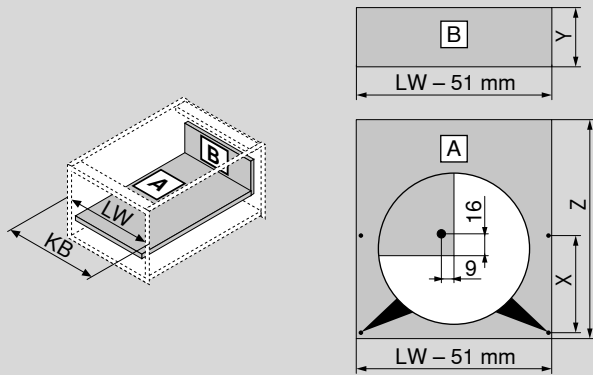


Back installation dimensions



Planning

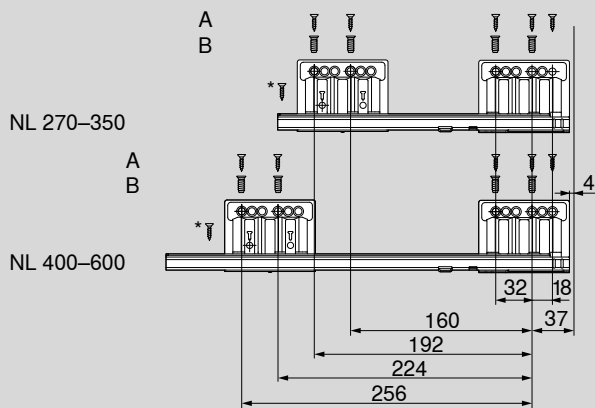
Cutting dimensions for 16 mm chipboard



Chipboard back	Y (mm)	
Height	83	
Base length	Z (mm)	
Chipboard back	NL - 26	
Position of drawer base drill hole		
Pre-drilling possible when using a flat headed screw	NL (mm)	X (mm)
	270	128
	> 350	256
KB Cabinet width		
LW Internal cabinet width		
NL Nominal length		

Cabinet profile screw position – 40 kg

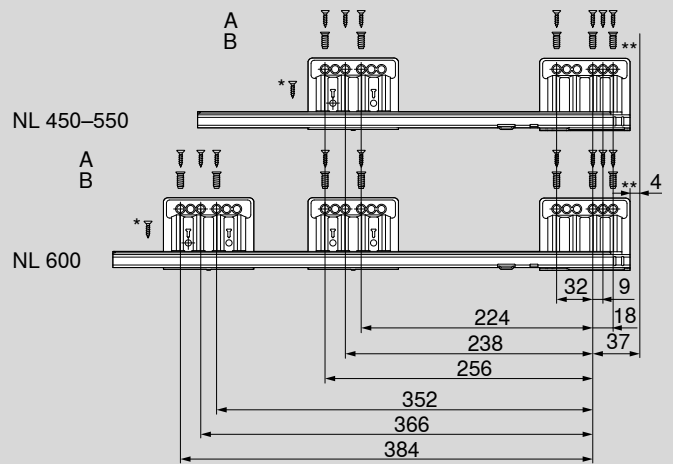
Nominal length NL (mm)



A	Chipboard screw Ø 4 x 15 mm
B	System screws Ø 6 x 14.5 mm
*	For greater lateral stability Chipboard screw Ø 4 x 15 mm
Internal cabinet depth LT min. = NL + 3 mm	

Cabinet profile screw position – 70 kg

Nominal length NL (mm)



A	Chipboard screw Ø 4 x 15 mm
B	System screws Ø 6 x 14.5 mm
*	For greater lateral stability Chipboard screw Ø 4 x 15 mm
**	For greater vertical stability Can be replaced with chipboard screw Ø 4 x 15 mm
Internal cabinet depth LT min. = NL + 3 mm	

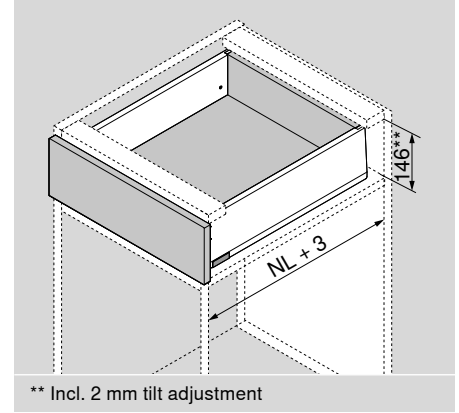
Product



Description

- BLUMOTION cabinet profile for all applications with interface for TIP-ON BLUMOTION and side stabilizer
- Can be combined with SERVO-DRIVE

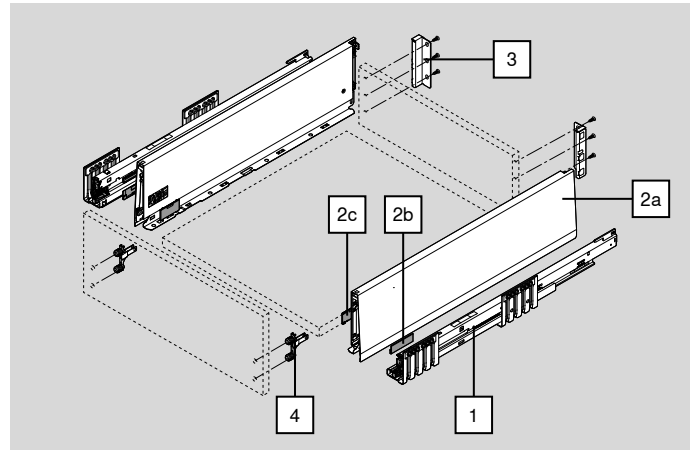
Space requirement



Ordering information

1	Cabinet profile left/right		
	Nominal length NL (mm)	BLUMOTION*	
		40 kg	70 kg
	350	450.3501B	
	400	450.4001B	
	450	450.4501B	453.4501B
	500	450.5001B	453.5001B
	550	450.5501B	453.5501B
	600	450.6001B	453.6001B

* Suitable for SERVO-DRIVE and TIP-ON BLUMOTION



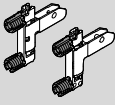
2	Drawer side set			
	Height of drawer side (mm)	K	129	
	Nominal length NL (mm)			SW-M
	350			470K3502S
	400			470K4002S
	450			470K4502S
	500			470K5002S
	550			470K5502S
	600			470K6002S

Consisting of:


2a	1 x	Drawer side left/right
2b	2 x	Branding element, stamped with Blum logo, custom printed from 1000 pcs
2c	2 x	Cover caps


3	Chipboard back fixings left/right		
	Height	Material	SW-M
	K	Steel	ZB4K000S


Ordering information

	4 Front fixing bracket		
	Fixing method		
	EXPANDO T	2 x	ZF4.10T2
	INSERTA	2 x	ZF4.10I2
	Screw-on*	2 x	ZF4.10O2
* Screws not included in scope of delivery			
EXPANDO T suitable for thin fronts – see page 61			

Accessories

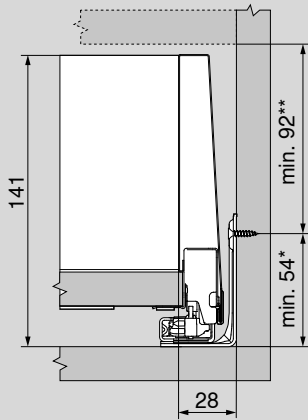
Chipboard screw			
	Ø (mm)	Length (mm)	
	3.5	15	For connecting the cabinet profile to the cabinet
	3.5	17	For front fixing bracket (screw-on)
In order to achieve optimal assembly, we recommend that you use flat headed screws for the chipboard back and drawer side			

Fixing screw (flat headed screw)			
	Ø (mm)	Length (mm)	Maximum screw head height: 2 mm
	3.5	15	For the connection of chipboard back fixings with chipboard back and drawer sides with drawer base
In order to achieve optimal assembly, we recommend that you use flat headed screws for the chipboard back and drawer side			

System screws			
	Ø (mm)	Length (mm)	
	6	14.5	For connecting the cabinet profile to the cabinet

Planning

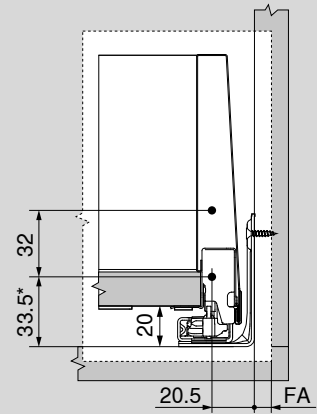
Space requirements in the cabinet



* + 1 mm if cabinet profile is installed before cabinet is assembled

** Incl. 2 mm tilt adjustment

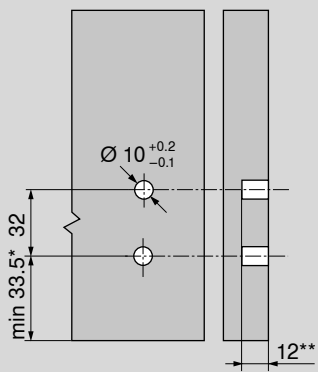
Front installation dimensions for screw-on assembly



* + 1 mm if cabinet profile is installed before cabinet is assembled

FA Front overlay

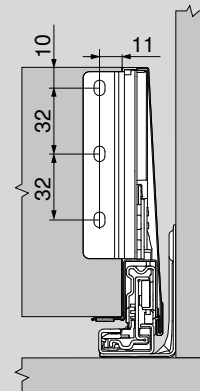
Front drilling distances for INSERTA/EXPANDO T



* + 1 mm if cabinet profile is installed before cabinet is assembled

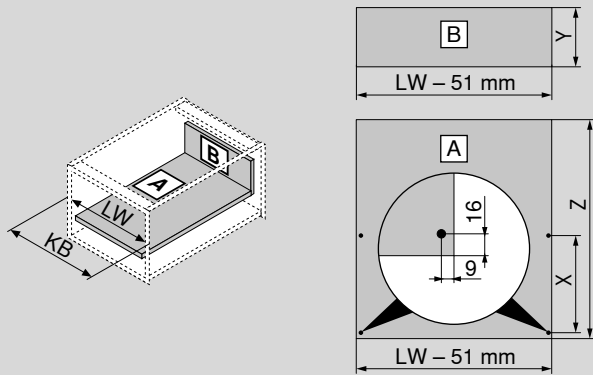
** min. 6 mm for EXPANDO T

Back installation dimensions



Planning

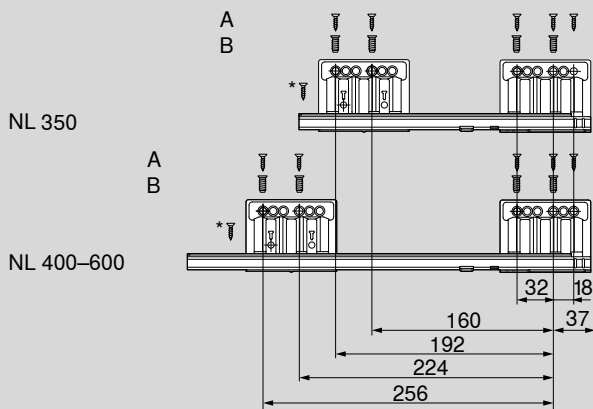
Cutting dimensions for 16 mm chipboard



Chipboard back	Y (mm)	
Height	121	
Base length	Z (mm)	
Chipboard back	NL - 26	
Position of drawer base drill hole		
Pre-drilling possible when using a flat headed screw	NL (mm)	X (mm)
	> 350	256
KB Cabinet width		
LW Internal cabinet width		
NL Nominal length		

Cabinet profile screw position – 40 kg

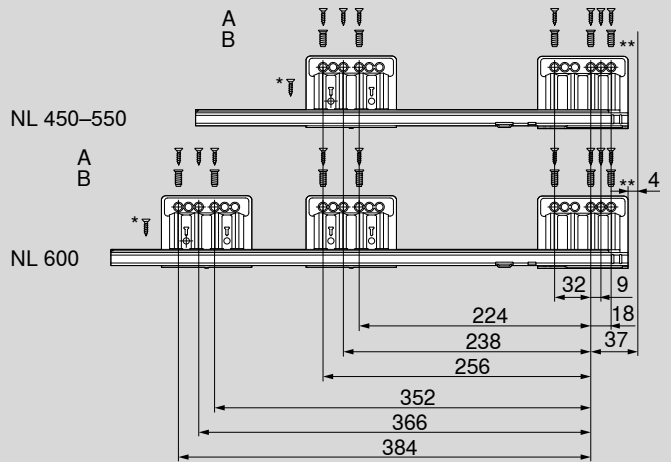
Nominal length NL (mm)



A	Chipboard screw Ø 4 x 15 mm
B	System screws Ø 6 x 14.5 mm
*	For greater lateral stability Chipboard screw Ø 4 x 15 mm
Internal cabinet depth LT min. = NL + 3 mm	

Cabinet profile screw position – 70 kg

Nominal length NL (mm)

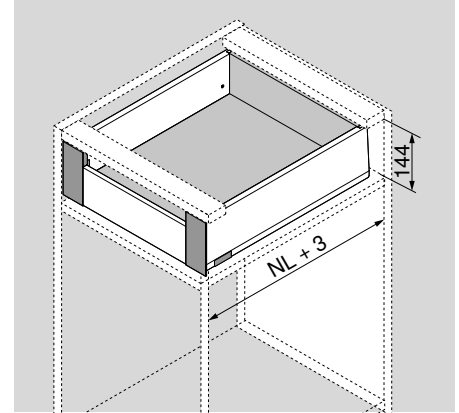


A	Chipboard screw Ø 4 x 15 mm
B	System screws Ø 6 x 14.5 mm
*	For greater lateral stability Chipboard screw Ø 4 x 15 mm
**	For greater vertical stability Can be replaced with chipboard screw Ø 4 x 15 mm
Internal cabinet depth LT min. = NL + 3 mm	

Product

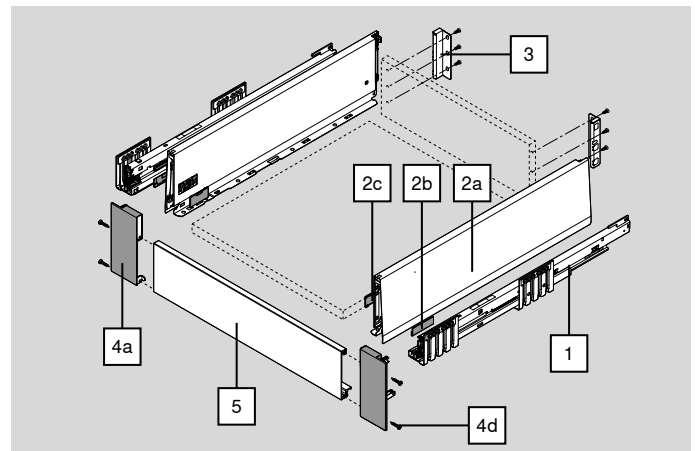
Description

- Inner drawer with closed front piece
- Front piece and drawer sides are colour-coordinated
- Back height K
- Identical position of the cabinet profile

Space requirement

Ordering information

1	Cabinet profile left/right		
	Nominal length NL (mm)	BLUMOTION*	
		40 kg	70 kg
	350	450.3501B	
	400	450.4001B	
	450	450.4501B	453.4501B
	500	450.5001B	453.5001B
	550	450.5501B	453.5501B
	600	450.6001B	453.6001B

* Suitable for SERVO-DRIVE and TIP-ON BLUMOTION



2	Drawer side set				
	Height of drawer side (mm)	K	129		
	Nominal length NL (mm)			SW-M	IG-M
	350			470K3502S	
	400			470K4002S	
	450			470K4502S	
	500			470K5002S	
	550			470K5502S	
	600			470K6002S	

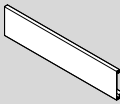
Consisting of:


2a	1 x	Drawer side left/right
2b	2 x	Branding element, stamped with Blum logo, custom printed from 1000 pcs
2c	2 x	Cover caps

3	Chipboard back fixings left/right			
	Height	Material	SW-M	IG-M
	K	Steel	ZB4K000S	


Ordering information


4		Front piece set		
	Height	Material	SW-M	IG-M
	K	Steel	Z14.1KS1	
Consisting of:				
4a	1 x	Front fixing left/right		
4b	2 x	Internal cover cap left/right		
4c	1 x	Locking piece		
4d	4 x	Screws		


5		Front piece without groove		
	Material	SW-M	IG-M	
	Aluminium	ZV4.1042M		
	Suitable for cabinet width KB up to 1200 mm			
For cutting to size				
Cutting:	Internal cabinet width LW - 126 mm			

Latch set (optional)*				
	Material	SW-M	IG-M	
	Nylon	Z17.0M07		
Latch must be mounted on the front piece				
* Cannot be used in combination with TIP-ON BLUMOTION				
Consisting of:				
Latch				
Latch housing (RAL 7037 dust grey)				

Accessories

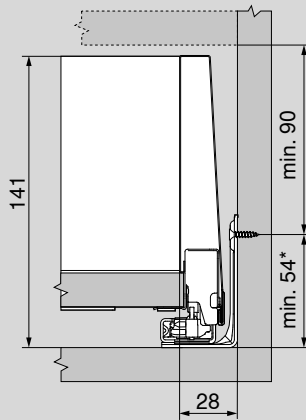
Chipboard screw			
	Ø (mm)	Length (mm)	
	3.5	15	For connecting the cabinet profile to the cabinet
	3.5	17	For front fixing bracket (screw-on)
In order to achieve optimal assembly, we recommend that you use flat headed screws for the chipboard back and drawer side			

Fixing screw (flat headed screw)			
	Ø (mm)	Length (mm)	Maximum screw head height: 2 mm
	3.5	15	For the connection of chipboard back fixings with chipboard back and drawer sides with drawer base
In order to achieve optimal assembly, we recommend that you use flat headed screws for the chipboard back and drawer side			

System screws			
	Ø (mm)	Length (mm)	
	6	14.5	For connecting the cabinet profile to the cabinet

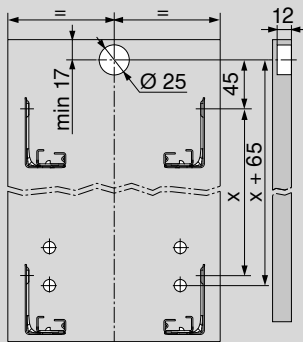
Planning

Space requirements in the cabinet

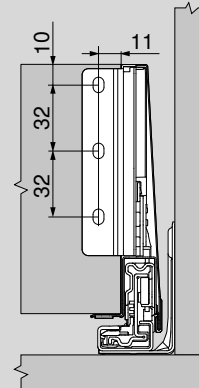


* + 1 mm if cabinet profile is installed before cabinet is assembled

Front drilling distances for latch housing

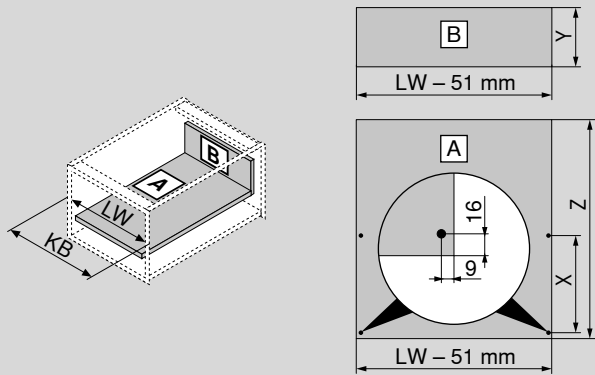


Back installation dimensions



Planning

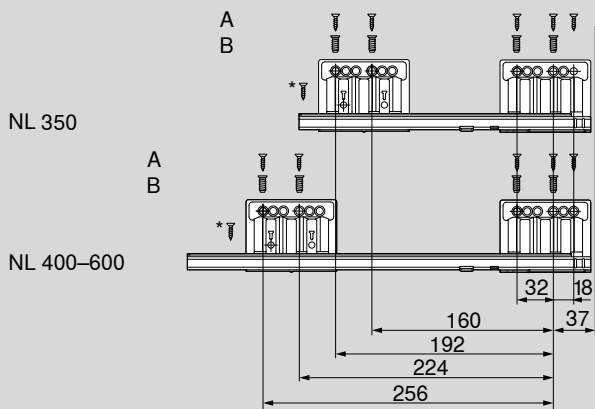
Cutting dimensions for 16 mm chipboard



Chipboard back	Y (mm)	
Height	121	
Base length	Z (mm)	
Chipboard back	NL - 26	
Position of drawer base drill hole		
Pre-drilling possible when using a flat headed screw	NL (mm)	X (mm)
	> 350	256
KB Cabinet width		
LW Internal cabinet width		
NL Nominal length		

Cabinet profile screw position – 40 kg

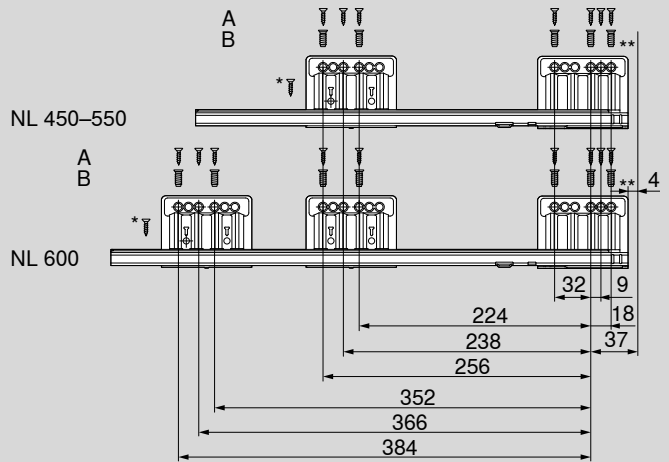
Nominal length NL (mm)



A	Chipboard screw Ø 4 x 15 mm
B	System screws Ø 6 x 14.5 mm
*	For greater lateral stability Chipboard screw Ø 4 x 15 mm
Internal cabinet depth LT min. = NL + 3 mm	

Cabinet profile screw position – 70 kg

Nominal length NL (mm)



A	Chipboard screw Ø 4 x 15 mm
B	System screws Ø 6 x 14.5 mm
*	For greater lateral stability Chipboard screw Ø 4 x 15 mm
**	For greater vertical stability Can be replaced with chipboard screw Ø 4 x 15 mm
Internal cabinet depth LT min. = NL + 3 mm	

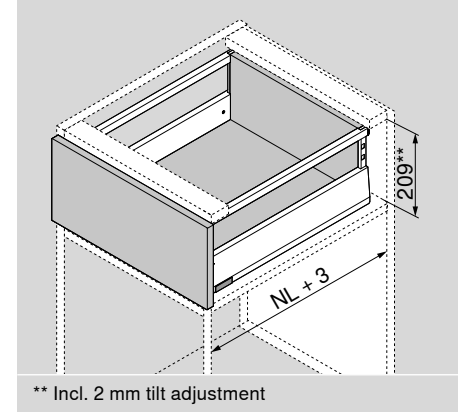
Product



Description

- BLUMOTION cabinet profile for all applications with interface for TIP-ON BLUMOTION and side stabilizer
- Can be combined with SERVO-DRIVE

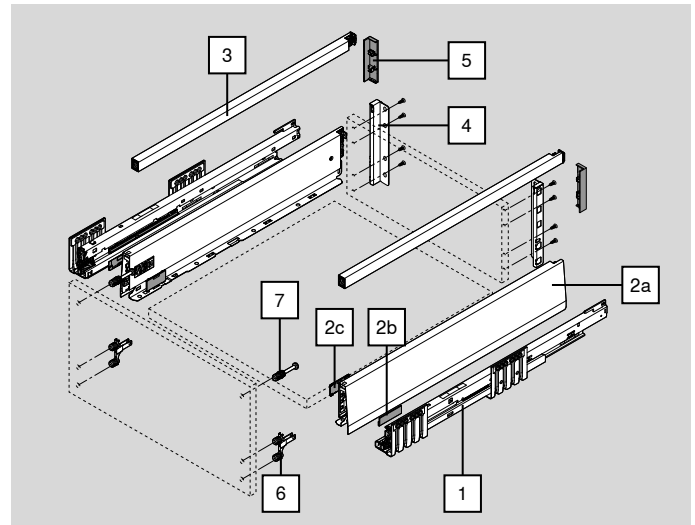
Space requirement



Ordering information

1	Cabinet profile left/right		
	Nominal length NL (mm)	BLUMOTION*	
		40 kg	70 kg
	270	450.2701B	
	350	450.3501B	
	400	450.4001B	
	450	450.4501B	453.4501B
	500	450.5001B	453.5001B
	550	450.5501B	453.5501B
	600	450.6001B	453.6001B

* Suitable for SERVO-DRIVE and TIP-ON BLUMOTION



2	Drawer side set			
	Height of drawer side (mm)	M	91	
	Nominal length NL (mm)			SW-M
	270			470M2702S
	350			470M3502S
	400			470M4002S
	450			470M4502S
	500			470M5002S
	550			470M5502S
	600			470M6002S

Consisting of:

2a	1 x	Drawer side left/right
2b	2 x	Branding element, stamped with Blum logo, custom printed from 1000 pcs
2c	2 x	Cover caps

Ordering information

3	Gallery left/right			
	Nominal length NL (mm)	Material	SW-M	IG-M
		Steel		
	270		ZR4.270RS.E	
	350		ZR4.350RS.E	
	400		ZR4.400RS.E	
	450		ZR4.450RS.E	
	500		ZR4.500RS.E	
	550		ZR4.550RS.E	
600		ZR4.600RS.E		

4	Chipboard back fixings left/right			
	Height	Material	SW-M	IG-M
	E	Steel	ZB4E000S	

5	Cabinet back cover cap (optional)			
	Version	Material	SW-M	IG-M
	Symmetrical	Nylon		
			2 x ZB4E00AK	

6	Front fixing bracket				
	Fixing method				
		EXPANDO T		2 x	ZF4.10T2
		INSERTA		2 x	ZF4.10I2
Screw-on*			2 x	ZF4.1002	
* Screws not included in scope of delivery					
EXPANDO T suitable for thin fronts – see page 61					

7	Front fixing bracket, top				
	Fixing method				
		EXPANDO T		2 x	ZF4.50T2
		INSERTA		2 x	ZF4.50I2
Screw-on – pre-assembled chipboard screw Ø 3.8 x 11.4 mm			2 x	ZF4.5002	
* Screws not included in scope of delivery					
EXPANDO T suitable for thin fronts – see page 61					

Accessories

Chipboard screw			
	Ø (mm)	Length (mm)	
	3.5	15	For connecting the cabinet profile to the cabinet
	3.5	17	For front fixing bracket (screw-on)
In order to achieve optimal assembly, we recommend that you use flat headed screws for the chipboard back and drawer side			

Ordering information

Accessories

Fixing screw (flat headed screw)			
	Ø (mm)	Length (mm)	Maximum screw head height: 2 mm
	3.5	15	For the connection of chipboard back fixings with chipboard back and drawer sides with drawer base

In order to achieve optimal assembly, we recommend that you use flat headed screws for the chipboard back and drawer side

System screws			
	Ø (mm)	Length (mm)	
	6	14.5	For connecting the cabinet profile to the cabinet

Planning

Space requirements in the cabinet

* + 1 mm if cabinet profile is installed before cabinet is assembled

** Incl. 2 mm tilt adjustment

Front installation dimensions for screw-on assembly

* + 1 mm if cabinet profile is installed before cabinet is assembled

FA Front overlay

Front drilling distances for INSERTA/EXPANDO T

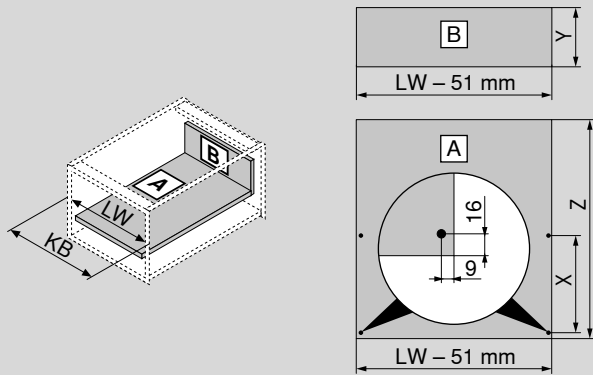
* + 1 mm if cabinet profile is installed before cabinet is assembled

** min. 6 mm for EXPANDO T

Back installation dimensions

Planning

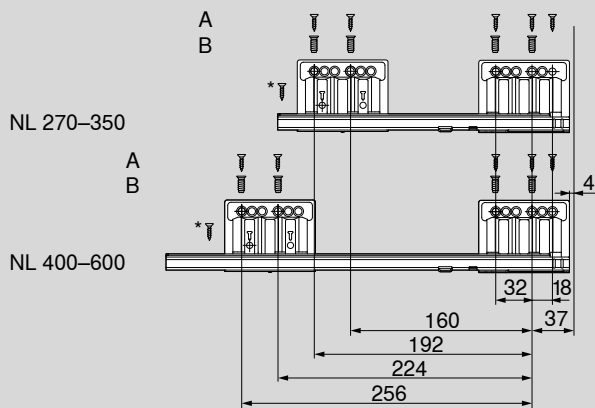
Cutting dimensions for 16 mm chipboard



Chipboard back	Y (mm)	
Height	184	
Base length	Z (mm)	
Chipboard back	NL - 26	
Position of drawer base drill hole		
Pre-drilling possible when using a flat headed screw	NL (mm)	X (mm)
	270	128
	> 350	256
KB Cabinet width		
LW Internal cabinet width		
NL Nominal length		

Cabinet profile screw position – 40 kg

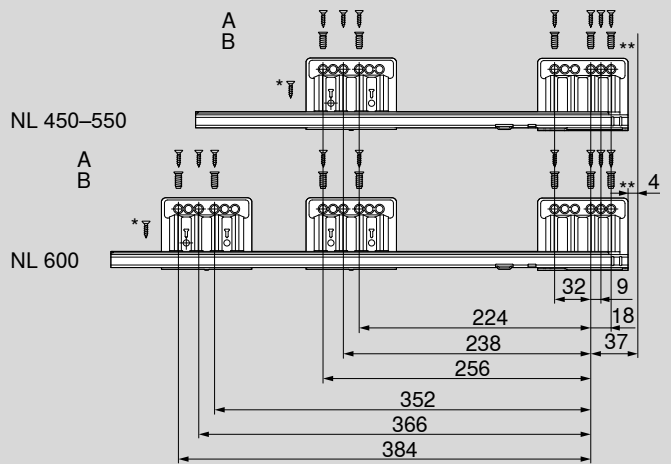
Nominal length NL (mm)



A	Chipboard screw Ø 4 x 15 mm
B	System screws Ø 6 x 14.5 mm
*	For greater lateral stability Chipboard screw Ø 4 x 15 mm
Internal cabinet depth LT min. = NL + 3 mm	

Cabinet profile screw position – 70 kg

Nominal length NL (mm)



A	Chipboard screw Ø 4 x 15 mm
B	System screws Ø 6 x 14.5 mm
*	For greater lateral stability Chipboard screw Ø 4 x 15 mm
**	For greater vertical stability Can be replaced with chipboard screw Ø 4 x 15 mm
Internal cabinet depth LT min. = NL + 3 mm	

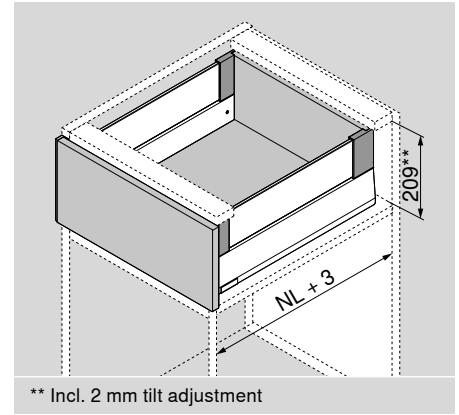
Product



Description

- BLUMOTION cabinet profile for all applications with interface for TIP-ON BLUMOTION and side stabilizer
- Can be combined with SERVO-DRIVE

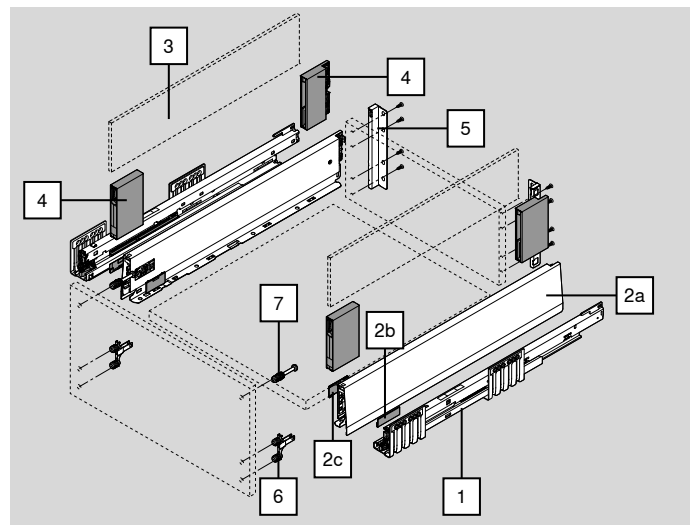
Space requirement



Ordering information

1	Cabinet profile left/right		
	Nominal length NL (mm)	BLUMOTION*	
		40 kg	70 kg
	270	450.2701B	
	350	450.3501B	
	400	450.4001B	
	450	450.4501B	453.4501B
	500	450.5001B	453.5001B
	550	450.5501B	453.5501B
	600	450.6001B	453.6001B

* Suitable for SERVO-DRIVE and TIP-ON BLUMOTION



2	Drawer side set			
	Height of drawer side (mm)	M	91	
	Nominal length NL (mm)			SW-M
	270			470M2702S
	350			470M3502S
	400			470M4002S
	450			470M4502S
	500			470M5002S
	550			470M5502S
	600			470M6002S

Consisting of:

2a	1 x	Drawer side left/right
2b	2 x	Branding element, stamped with Blum logo, custom printed from 1000 pcs
2c	2 x	Cover caps

Ordering information

	3 Glass design element (side)	
	Nominal length NL (mm)	Clear
	450	ZE4M360G
	500	ZE4M410G
	550	ZE4M460G
	600	ZE4M510G
Note		
In the case of other nominal lengths NL, cut the next longest design element to size accordingly		
For cut-to-size dimension see page 35		
To guarantee a safe connection between the front and BOXCOVER, the sides of the glass must be cleaned prior to assembly (required from a front height of more than 455 mm).		

	4 BOXCOVER left/right		
	Height	Material	SW-M IG-M
	M	Steel	ZL4M00808
	8 mm design element		
For front heights greater than 455 mm, the clamping screw must be tightened – 1.5 to 2 Nm			
Consisting of:			
BOXCOVER front left/right			
BOXCOVER back left/right			

	5 Chipboard back fixings left/right		
	Height	Material	SW-M IG-M
	E	Steel	ZB4E000S

	6 Front fixing bracket		
	Fixing method		
	EXPANDO T		2 x ZF4.10T2
	INSERTA		2 x ZF4.10I2
	Screw-on*		2 x ZF4.1002
* Screws not included in scope of delivery			
EXPANDO T suitable for thin fronts – see page 61			

	7 Front fixing bracket, top		
	Fixing method		
	EXPANDO T		2 x ZF4.50T2
	INSERTA		2 x ZF4.50I2
	Screw-on – pre-assembled chipboard screw Ø 3.8 x 11.4 mm		2 x ZF4.5002
* Screws not included in scope of delivery			
EXPANDO T suitable for thin fronts – see page 61			

Accessories

Chipboard screw			
	Ø (mm)	Length (mm)	
	3.5	15	For connecting the cabinet profile to the cabinet
	3.5	17	For front fixing bracket (screw-on)
In order to achieve optimal assembly, we recommend that you use flat headed screws for the chipboard back and drawer side			

Ordering information

Accessories

Fixing screw (flat headed screw)			
	Ø (mm)	Length (mm)	Maximum screw head height: 2 mm
	3.5	15	For the connection of chipboard back fixings with chipboard back and drawer sides with drawer base

In order to achieve optimal assembly, we recommend that you use flat headed screws for the chipboard back and drawer side

System screws			
	Ø (mm)	Length (mm)	
	6	14.5	For connecting the cabinet profile to the cabinet

Planning

Space requirements in the cabinet

* + 1 mm if cabinet profile is installed before cabinet is assembled

** Incl. 2 mm tilt adjustment

Front installation dimensions for screw-on assembly

* + 1 mm if cabinet profile is installed before cabinet is assembled

FA Front overlay

Front drilling distances for INSERTA/EXPANDO T

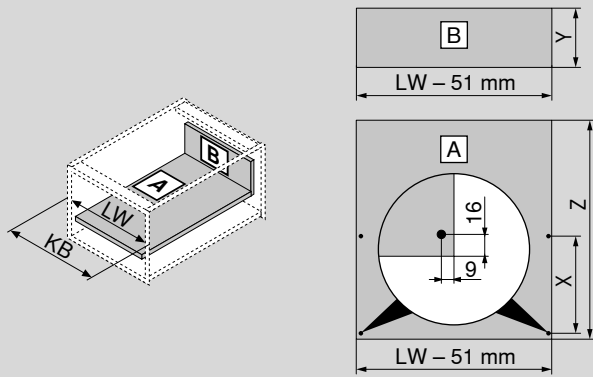
* + 1 mm if cabinet profile is installed before cabinet is assembled

** min. 6 mm for EXPANDO T

Back installation dimensions

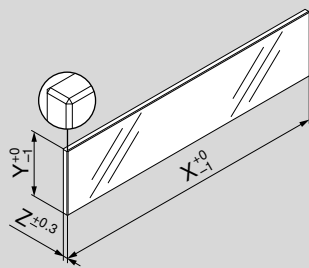
Planning

Cutting dimensions for 16 mm chipboard



Chipboard back	Y (mm)	
Height	184	
Base length	Z (mm)	
Chipboard back	NL - 26	
Position of drawer base drill hole		
Pre-drilling possible when using a flat headed screw	NL (mm)	X (mm)
	270	128
	> 350	256
KB Cabinet width		
LW Internal cabinet width		
NL Nominal length		

Cutting – design element



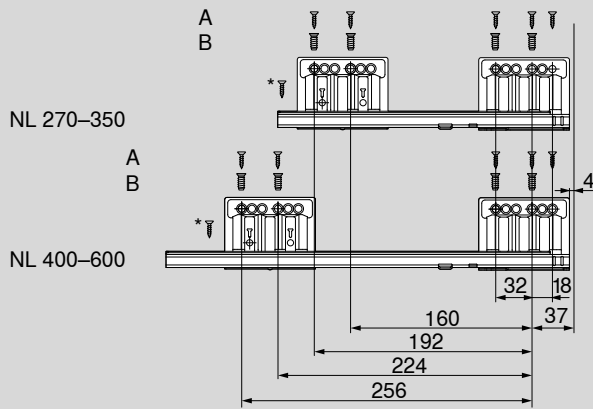
Design element	X (mm)	Y (mm)	Z (mm)
Side	NL - 90	95	8

NL Nominal length

"Impact testing for vertically installed glass parts" as per standard DIN EN 14749 (dated June 2016) is not required due to the dimensions of the design element in combination with MERIVOBX. No safety glass is required to comply with the standard. The edge is a polished flat edge with a 1 mm ± 0.5 mm bevel.

Cabinet profile screw position – 40 kg

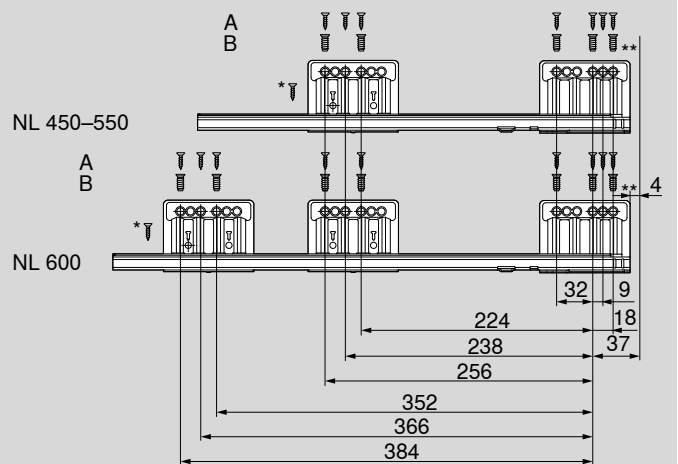
Nominal length NL (mm)



A	Chipboard screw Ø 4 x 15 mm
B	System screws Ø 6 x 14.5 mm
*	For greater lateral stability Chipboard screw Ø 4 x 15 mm
Internal cabinet depth LT min. = NL + 3 mm	

Cabinet profile screw position – 70 kg

Nominal length NL (mm)



A	Chipboard screw Ø 4 x 15 mm
B	System screws Ø 6 x 14.5 mm
*	For greater lateral stability Chipboard screw Ø 4 x 15 mm
**	For greater vertical stability Can be replaced with chipboard screw Ø 4 x 15 mm
Internal cabinet depth LT min. = NL + 3 mm	

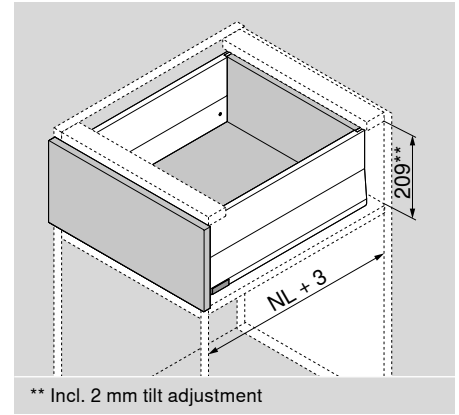
Product



Description

- BLUMOTION cabinet profile for all applications with interface for TIP-ON BLUMOTION and side stabilizer
- Can be combined with SERVO-DRIVE

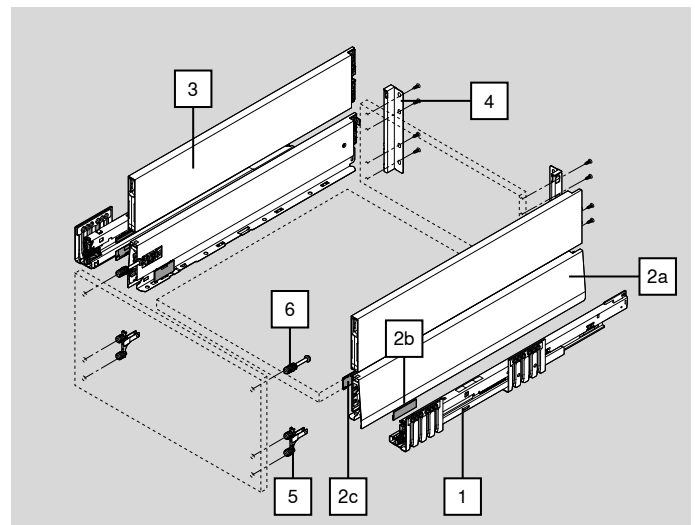
Space requirement



Ordering information

1	Cabinet profile left/right		
	Nominal length NL (mm)	BLUMOTION*	
		40 kg	70 kg
	270	450.2701B	
	350	450.3501B	
	400	450.4001B	
	450	450.4501B	453.4501B
	500	450.5001B	453.5001B
	550	450.5501B	453.5501B
	600	450.6001B	453.6001B

* Suitable for SERVO-DRIVE and TIP-ON BLUMOTION



2	Drawer side set				
	Height of drawer side (mm)	M	91		
				SW-M	IG-M
	Nominal length NL (mm)				
	270			470M2702S	
	350			470M3502S	
	400			470M4002S	
	450			470M4502S	
	500			470M5002S	
	550			470M5502S	
600			470M6002S		

Consisting of:

2a	1 x	Drawer side left/right
2b	2 x	Branding element, stamped with Blum logo, custom printed from 1000 pcs
2c	2 x	Cover caps

Ordering information

3	BOXCAP left/right			
	Height	Material		
	E	Steel		
	Nominal length NL (mm)		SW-M	IG-M
	270		ZL4.270S.E	
	350		ZL4.350S.E	
	400		ZL4.400S.E	
	450		ZL4.450S.E	
	500		ZL4.500S.E	
	550		ZL4.550S.E	
600		ZL4.600S.E		

4	Chipboard back fixings left/right			
	Height	Material	SW-M	IG-M
	E	Steel	ZB4E000S	

5	Front fixing bracket			
	Fixing method			
	EXPANDO T		2 x	ZF4.10T2
	INSERTA		2 x	ZF4.10I2
	Screw-on*		2 x	ZF4.1002
* Screws not included in scope of delivery				
EXPANDO T suitable for thin fronts – see page 61				

6	Front fixing bracket, top			
	Fixing method			
	EXPANDO T		2 x	ZF4.50T2
	INSERTA		2 x	ZF4.50I2
	Screw-on – pre-assembled chipboard screw Ø 3.8 x 11.4 mm		2 x	ZF4.5002
* Screws not included in scope of delivery				
EXPANDO T suitable for thin fronts – see page 61				


Accessories

Chipboard screw			
	Ø (mm)	Length (mm)	
	3.5	15	For connecting the cabinet profile to the cabinet
	3.5	17	For front fixing bracket (screw-on)
In order to achieve optimal assembly, we recommend that you use flat headed screws for the chipboard back and drawer side			

Ordering information


Accessories

Fixing screw (flat headed screw)

	Ø (mm)	Length (mm)	Maximum screw head height: 2 mm
	3.5	15	For the connection of chipboard back fixings with chipboard back and drawer sides with drawer base

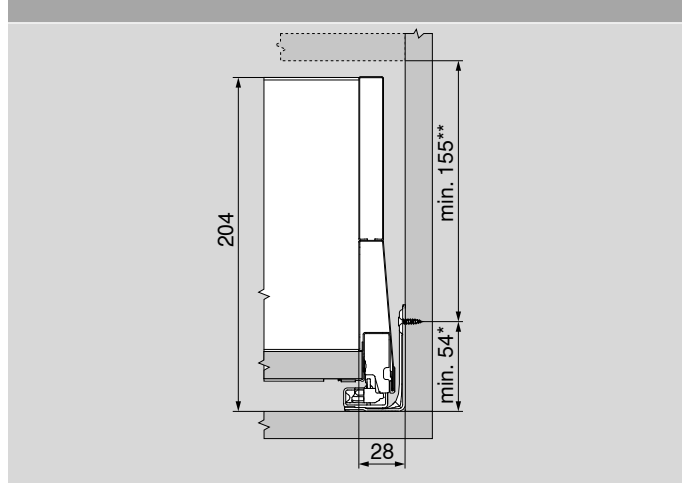
In order to achieve optimal assembly, we recommend that you use flat headed screws for the chipboard back and drawer side

System screws

	Ø (mm)	Length (mm)	
	6	14.5	For connecting the cabinet profile to the cabinet

Planning

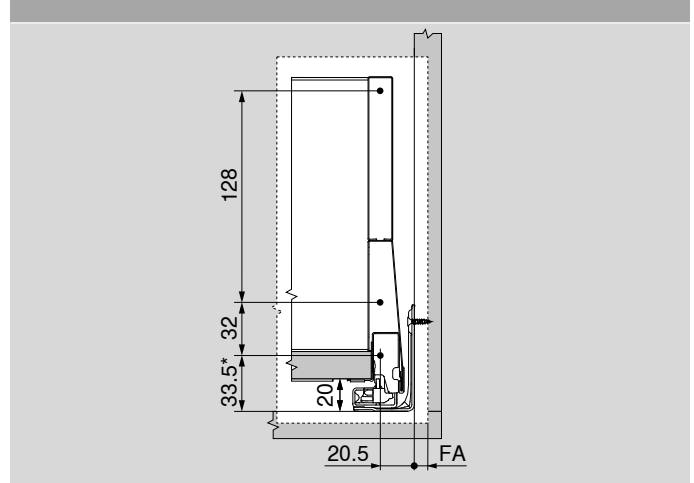
Space requirements in the cabinet



* + 1 mm if cabinet profile is installed before cabinet is assembled

** Incl. 2 mm tilt adjustment

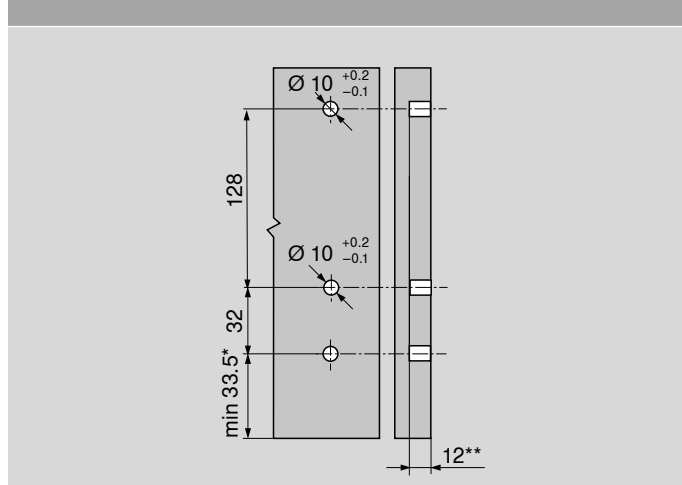
Front installation dimensions for screw-on assembly



* + 1 mm if cabinet profile is installed before cabinet is assembled

FA Front overlay

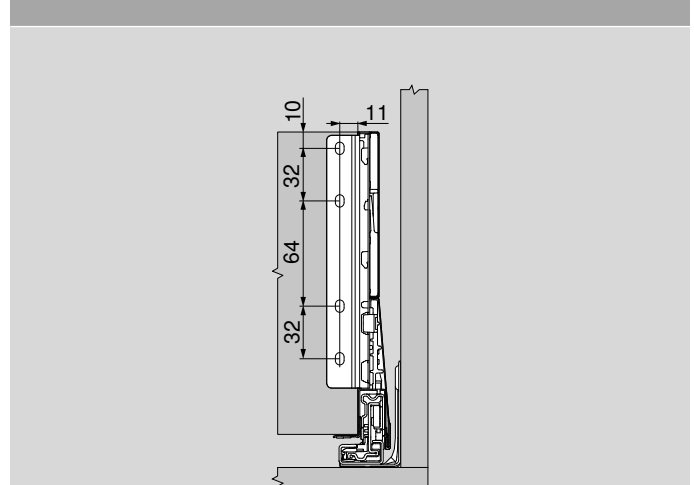
Front drilling distances for INSERTA/EXPANDO T



* + 1 mm if cabinet profile is installed before cabinet is assembled

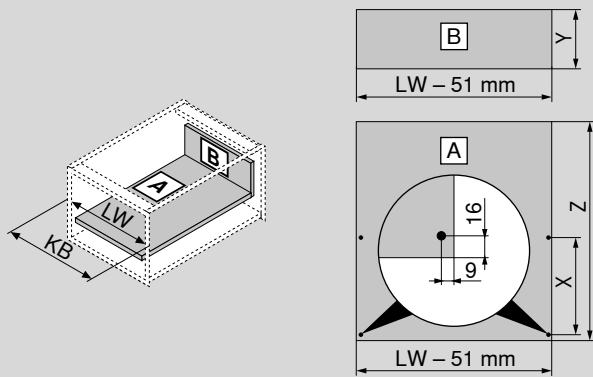
** min. 6 mm for EXPANDO T

Back installation dimensions



Planning

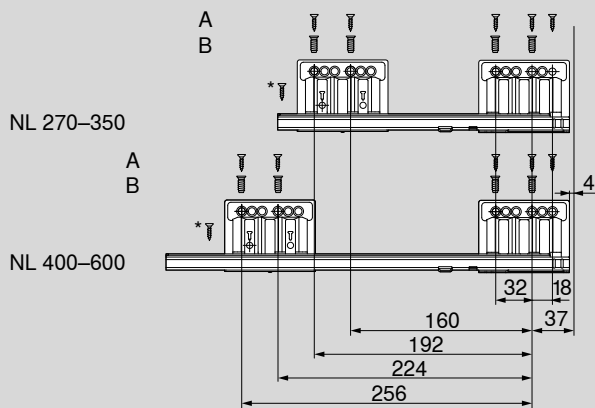
Cutting dimensions for 16 mm chipboard



Chipboard back	Y (mm)	
Height	184	
Base length	Z (mm)	
Chipboard back	NL - 26	
Position of drawer base drill hole		
Pre-drilling possible when using a flat headed screw	NL (mm)	X (mm)
	270	128
	> 350	256
KB Cabinet width		
LW Internal cabinet width		
NL Nominal length		

Cabinet profile screw position – 40 kg

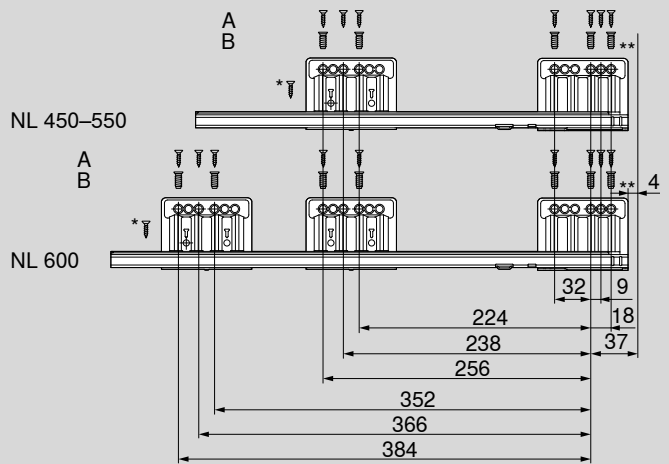
Nominal length NL (mm)



A	Chipboard screw Ø 4 x 15 mm
B	System screws Ø 6 x 14.5 mm
*	For greater lateral stability Chipboard screw Ø 4 x 15 mm
Internal cabinet depth LT min. = NL + 3 mm	

Cabinet profile screw position – 70 kg

Nominal length NL (mm)



A	Chipboard screw Ø 4 x 15 mm
B	System screws Ø 6 x 14.5 mm
*	For greater lateral stability Chipboard screw Ø 4 x 15 mm
**	For greater vertical stability Can be replaced with chipboard screw Ø 4 x 15 mm
Internal cabinet depth LT min. = NL + 3 mm	

Front piece with gallery

Product

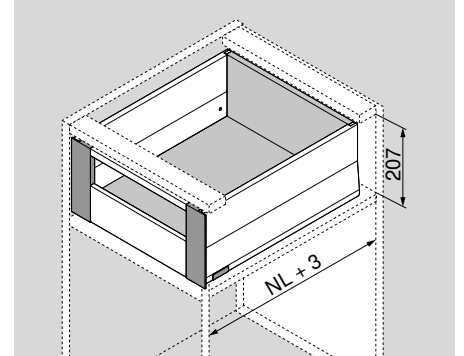


Example of inner pull-out using BOXCAP

Description

- Inner pull-out with gallery for direct access to contents
- Front piece, drawer sides and gallery are colour-coordinated

Space requirement



Ordering information

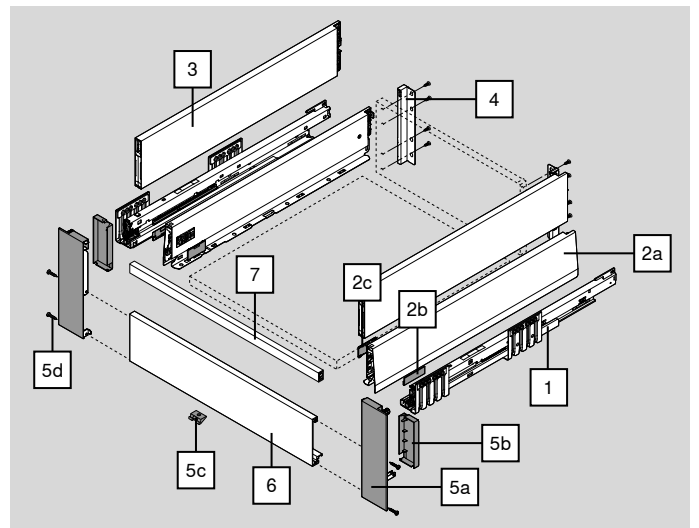
Application recommendation

All inner pull-out options can be combined with any high fronted pull-out option in height E. Please see the relevant page for the components to be ordered. All components apart from the front fixing bracket are needed.

High fronted pull-out modular with gallery	28
High fronted pull-out modular with BOXCOVER	32
High fronted pull-out modular with BOXCAP	36

1	Cabinet profile left/right		
	Nominal length NL (mm)	BLUMOTION*	
		40 kg	70 kg
	270	450.2701B	
	350	450.3501B	
	400	450.4001B	
	450	450.4501B	453.4501B
	500	450.5001B	453.5001B
	550	450.5501B	453.5501B
	600	450.6001B	453.6001B

* Suitable for SERVO-DRIVE and TIP-ON BLUMOTION



2	Drawer side set			
	Height of drawer side (mm)	M	91	
	Nominal length NL (mm)			SW-M
	270			470M2702S
	350			470M3502S
	400			470M4002S
	450			470M4502S
	500			470M5002S
	550			470M5502S
	600			470M6002S

Consisting of:

2a	1 x	Drawer side left/right
2b	2 x	Branding element, stamped with Blum logo, custom printed from 1000 pcs
2c	2 x	Cover caps

Front piece with gallery


Ordering information

	3		BOXCAP			
	Height		Material			
	E		Steel			
	Nominal length NL (mm)				SW-M	IG-M
	270		ZL4.270S.E			
	350		ZL4.350S.E			
	400		ZL4.400S.E			
	450		ZL4.450S.E			
	500		ZL4.500S.E			
550		ZL4.550S.E				
600		ZL4.600S.E				
	4		Chipboard back fixings left/right			
	Height		Material		SW-M	IG-M
	E		Steel		ZB4E000S	
	5		Front piece set			
	Height		Material		SW-M	IG-M
	E		Steel		ZI4.2ES1	
	Consisting of:					
	5a	1 x	Front fixing left/right			
5b	2 x	Internal cover cap left/right				
5c	1 x	Locking piece				
5d	4 x	Screws				
	6		Front piece without groove			
	Material				SW-M	IG-M
	Aluminium		ZV4.1042M			
Suitable for cabinet width KB up to 1200 mm						
For cutting to size						
Cutting:		Internal cabinet width LW - 126 mm				
	7		Cross gallery			
	Material				SW-M	IG-M
	Aluminium		ZR4.1059U			
Suitable for cabinet width KB up to 1200 mm						
For cutting to size						
Cutting:		Internal cabinet width LW - 111 mm				
Latch set (optional)*						
	Material				SW-M	IG-M
	Nylon		ZI7.0M07			
Latch must be mounted on the front piece						
* Cannot be used in combination with TIP-ON BLUMOTION						
Consisting of:						
Latch						
Latch housing (RAL 7037 dust grey)						


Front piece with gallery

Ordering information


Accessories

Chipboard screw			
	Ø (mm)	Length (mm)	
	3.5	15	For connecting the cabinet profile to the cabinet
	3.5	17	For front fixing bracket (screw-on)

In order to achieve optimal assembly, we recommend that you use flat headed screws for the chipboard back and drawer side

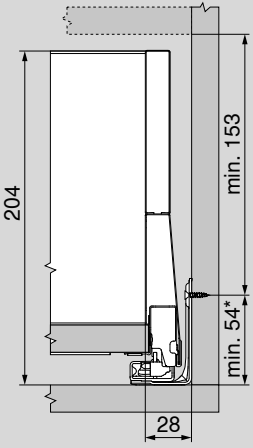
Fixing screw (flat headed screw)			
	Ø (mm)	Length (mm)	
	3.5	15	Maximum screw head height: 2 mm For the connection of chipboard back fixings with chipboard back and drawer sides with drawer base

In order to achieve optimal assembly, we recommend that you use flat headed screws for the chipboard back and drawer side

System screws			
	Ø (mm)	Length (mm)	
	6	14.5	For connecting the cabinet profile to the cabinet

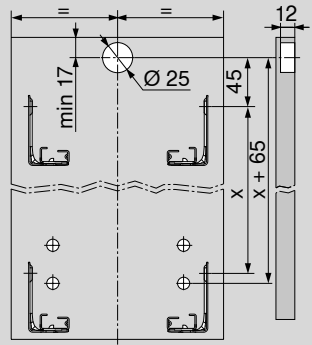
Planning

Space requirements in the cabinet

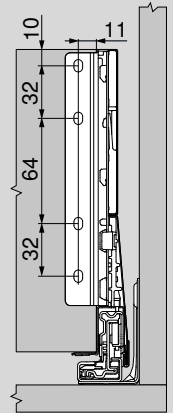


* + 1 mm if cabinet profile is installed before cabinet is assembled

Front drilling distances for latch housing



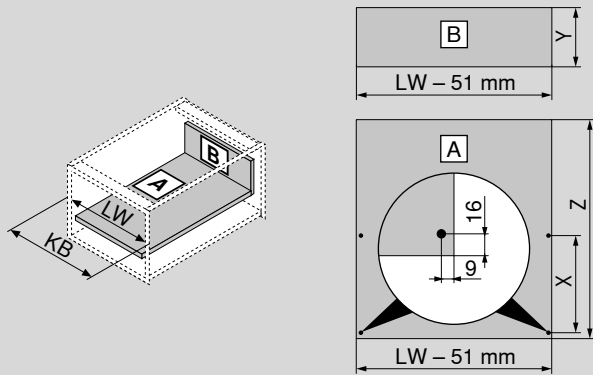
Back installation dimensions



Front piece with gallery

Planning

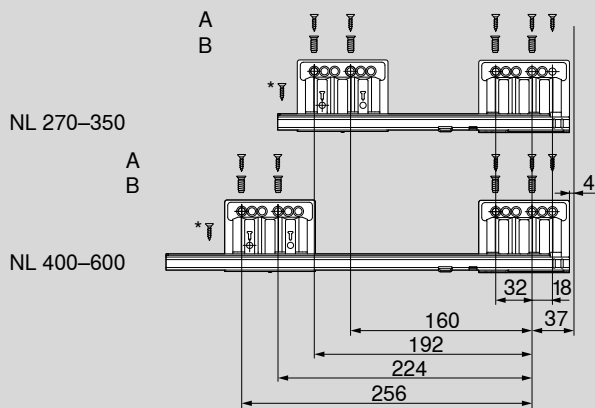
Cutting dimensions for 16 mm chipboard



Chipboard back	Y (mm)	
Height	184	
Base length	Z (mm)	
Chipboard back	NL - 26	
Position of drawer base drill hole		
Pre-drilling possible when using a flat headed screw	NL (mm)	X (mm)
	270	128
	> 350	256
KB Cabinet width		
LW Internal cabinet width		
NL Nominal length		

Cabinet profile screw position – 40 kg

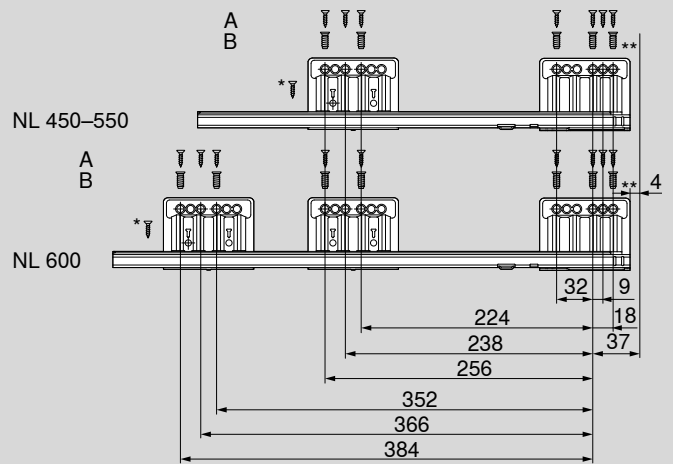
Nominal length NL (mm)



A	Chipboard screw Ø 4 x 15 mm
B	System screws Ø 6 x 14.5 mm
*	For greater lateral stability Chipboard screw Ø 4 x 15 mm
Internal cabinet depth LT min. = NL + 3 mm	

Cabinet profile screw position – 70 kg

Nominal length NL (mm)



A	Chipboard screw Ø 4 x 15 mm
B	System screws Ø 6 x 14.5 mm
*	For greater lateral stability Chipboard screw Ø 4 x 15 mm
**	For greater vertical stability Can be replaced with chipboard screw Ø 4 x 15 mm
Internal cabinet depth LT min. = NL + 3 mm	

Front piece with design element

Product

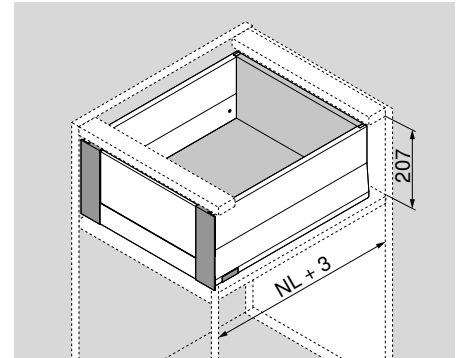


Example of inner pull-out using BOXCAP

Description

- Inner pull-out for high and low design element
- Front piece and drawer sides are colour-coordinated

Space requirement



Ordering information

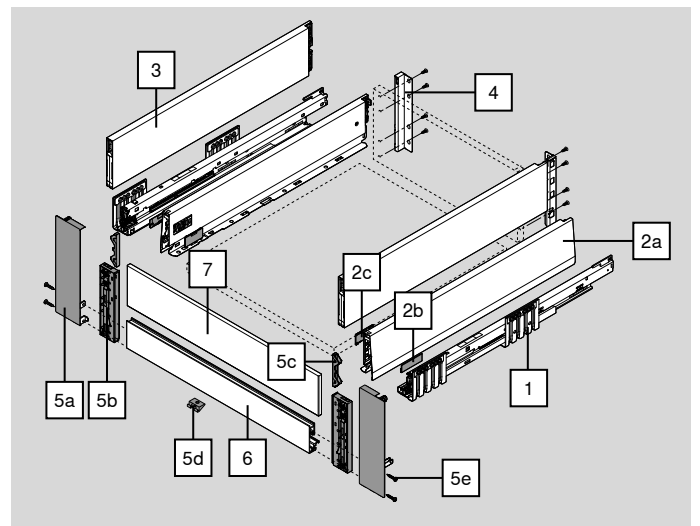
Application recommendation

All inner pull-out options can be combined with any high fronted pull-out option in height E. Please see the relevant page for the components to be ordered. All components apart from the front fixing bracket are needed.

High fronted pull-out modular with gallery	28
High fronted pull-out modular with BOXCOVER	32
High fronted pull-out modular with BOXCAP	36

1	Cabinet profile left/right		
	Nominal length NL (mm)	BLUMOTION*	
		40 kg	70 kg
	270	450.2701B	
	350	450.3501B	
	400	450.4001B	
	450	450.4501B	453.4501B
	500	450.5001B	453.5001B
	550	450.5501B	453.5501B
	600	450.6001B	453.6001B

* Suitable for SERVO-DRIVE and TIP-ON BLUMOTION



2	Drawer side set				
	Height of drawer side (mm)	M	91		
	Nominal length NL (mm)				
				SW-M	IG-M
	270			470M2702S	
	350			470M3502S	
	400			470M4002S	
	450			470M4502S	
	500			470M5002S	
	550			470M5502S	
600			470M6002S		

Consisting of:

2a	1 x	Drawer side left/right
2b	2 x	Branding element, stamped with Blum logo, custom printed from 1000 pcs
2c	2 x	Cover caps

Front piece with design element

Ordering information


	3 BOXCAP			
	Height		Material	
	E		Steel	
	Nominal length NL (mm)		SW-M	IG-M
	270		ZL4.270S.E	
	350		ZL4.350S.E	
	400		ZL4.400S.E	
	450		ZL4.450S.E	
	500		ZL4.500S.E	
550		ZL4.550S.E		
600		ZL4.600S.E		
	4 Chipboard back fixings left/right			
	Height		Material	
	E		Steel	
		SW-M	IG-M	
		ZB4E000S		
	5 Front piece set			
	Height		Material	
	E		Steel	
			SW-M	IG-M
			ZI4.4ES1	
	Consisting of:			
	5a	1 x	Front fixing left/right	
	5b	1 x	Glass fixing left/right	
	5c	2 x	Adapter piece for front piece with a low design element	
	5d	1 x	Locking piece	
5e	4 x	Screws		
	6 Front piece with groove			
	Material		Material	
	Aluminium		SW-M	IG-M
	Suitable for cabinet width KB up to 1200 mm		ZV4.1042NN	
	For cutting to size			
Cutting:		Internal cabinet width LW - 126 mm		
	7 Glass design element (for inner pull-out front)			
	Material		Colour	
	Glass		Clear	
	Suitable for cabinet width KB up to 1200 mm		Low design element	High design element
		ZE4L1064G	ZE4H1064G	
For cut-to-size dimension see page 47				

Front piece with design element

Ordering information


Accessories

Chipboard screw

	Ø (mm)	Length (mm)	
	3.5	15	For connecting the cabinet profile to the cabinet
	3.5	17	For front fixing bracket (screw-on)


In order to achieve optimal assembly, we recommend that you use flat headed screws for the chipboard back and drawer side

Fixing screw (flat headed screw)

	Ø (mm)	Length (mm)	Maximum screw head height: 2 mm
	3.5	15	For the connection of chipboard back fixings with chipboard back and drawer sides with drawer base

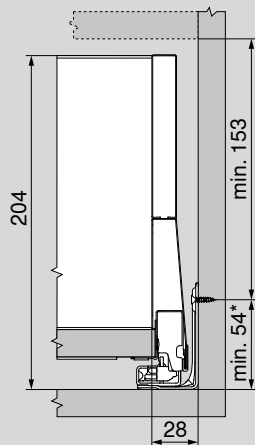
In order to achieve optimal assembly, we recommend that you use flat headed screws for the chipboard back and drawer side

System screws

	Ø (mm)	Length (mm)	
	6	14.5	For connecting the cabinet profile to the cabinet

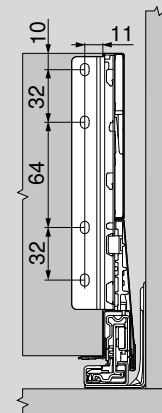
Planning

Space requirements in the cabinet



* + 1 mm if cabinet profile is installed before cabinet is assembled

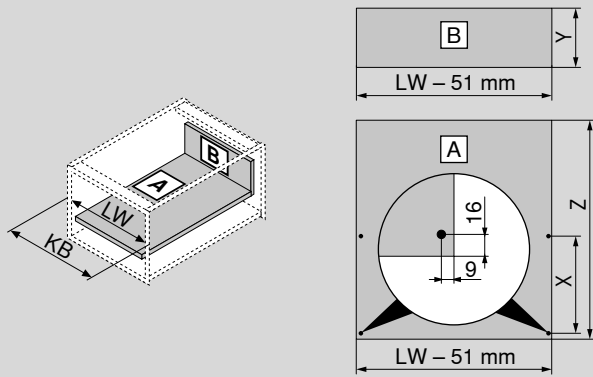
Back installation dimensions



Front piece with design element

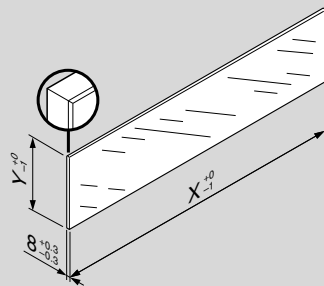
Planning

Cutting dimensions for 16 mm chipboard



Chipboard back	Y (mm)	
Height	184	
Base length	Z (mm)	
Chipboard back	NL - 26	
Position of drawer base drill hole		
Pre-drilling possible when using a flat headed screw	NL (mm)	X (mm)
	270	128
	> 350	256
KB Cabinet width		
LW Internal cabinet width		
NL Nominal length		

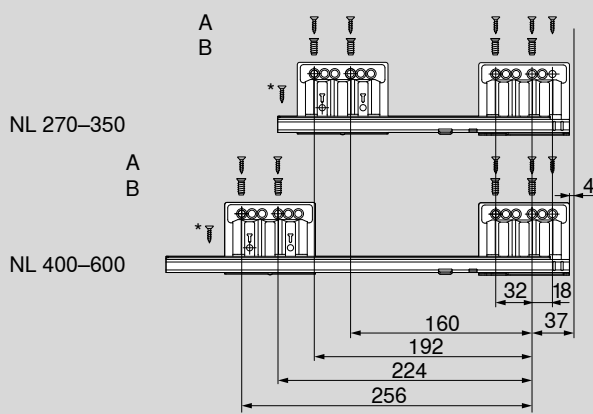
Cutting – design element



Design element	X (mm)	Y (mm)
Low	LW - 104	75
High	LW - 104	142.5
LW Internal cabinet width		
"Impact testing for vertically installed glass parts" as per standard DIN EN 14749 (dated June 2016) is not required due to the dimensions of the design element in combination with MERIVOBX. No safety glass is required to comply with the standard. The edge is a polished flat edge with a 1 mm ± 0.5 mm bevel.		

Cabinet profile screw position – 40 kg

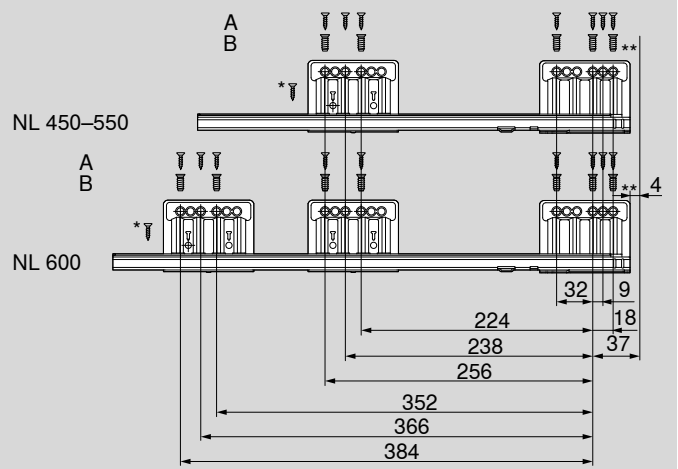
Nominal length NL (mm)



A	Chipboard screw Ø 4 x 15 mm
B	System screws Ø 6 x 14.5 mm
*	For greater lateral stability Chipboard screw Ø 4 x 15 mm
Internal cabinet depth LT min. = NL + 3 mm	

Cabinet profile screw position – 70 kg

Nominal length NL (mm)



A	Chipboard screw Ø 4 x 15 mm
B	System screws Ø 6 x 14.5 mm
*	For greater lateral stability Chipboard screw Ø 4 x 15 mm
**	For greater vertical stability Can be replaced with chipboard screw Ø 4 x 15 mm
Internal cabinet depth LT min. = NL + 3 mm	

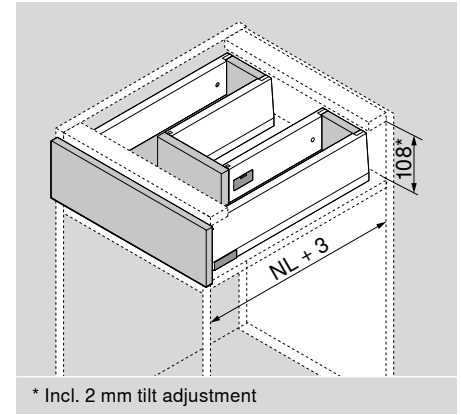
Product



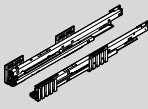
Description

- Sink cabinet solution for optimum use of storage space
- Can be implemented with standard drawer sides, outer and inner sides in height M
- BLUMOTION cabinet profile for all applications with interface for TIP-ON BLUMOTION and side stabilizer
- Can be combined with SERVO-DRIVE

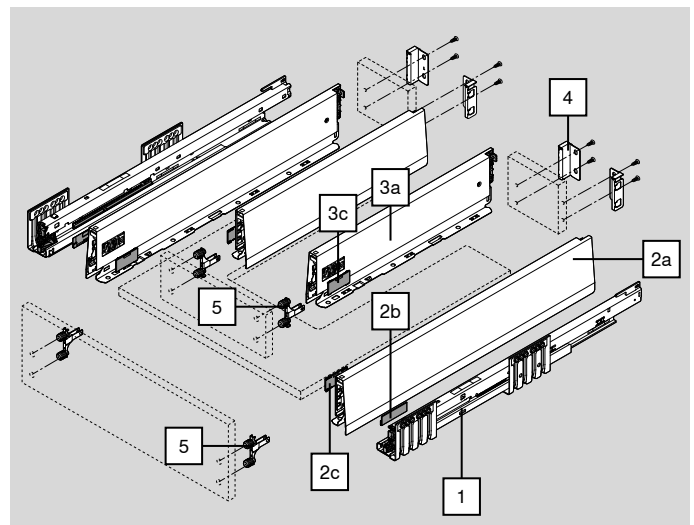
Space requirement

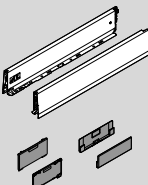


Ordering information

1	Cabinet profile left/right		
	Nominal length NL (mm)	BLUMOTION*	
		40 kg	70 kg
	500	450.5001B	453.5001B
	550	450.5501B	453.5501B
	600	450.6001B	453.6001B

* Suitable for SERVO-DRIVE and TIP-ON BLUMOTION



2	Outer drawer side set			
	Height of drawer side (mm)	M	91	
	Nominal length NL (mm)			SW-M
	500			470M5002S
	550			470M5502S
	600			470M6002S

Consisting of:

2a	1 x	Drawer side left/right
2b	2 x	Branding element, stamped with Blum logo, custom printed from 1000 pcs
2c	2 x	Cover caps

Ordering information

	3 Inner drawer side set				
	Height of drawer side (mm)	M	91		
	Nominal length NL (mm)			SW-M	IG-M
	350			470M3502S	
	400			470M4002S	
450			470M4502S		

Consisting of:

3a	1 x	Drawer side left/right
3b	2 x	Branding element, stamped with Blum logo, custom printed from 1000 pcs
3c	2 x	Cover caps

For effective use of storage space, we recommend:

External nominal length NL drawer sides - internal nominal length NL drawer sides = min. 150 mm

	4 Chipboard back fixings left/right				
	Height	Material			
	M	Steel		SW-M	IG-M
			2 x	ZB4M000S	

	5 Front fixing bracket				
	Fixing method				
	EXPANDO T			4 x	ZF4.10T2
Screw-on*			4 x	ZF4.1002	

* Screws not included in scope of delivery

EXPANDO T suitable for thin fronts – see page 61

Accessories

Chipboard screw			
	Ø (mm)	Length (mm)	
	3.5	15	For connecting the cabinet profile to the cabinet
	3.5	17	For front fixing bracket (screw-on)

In order to achieve optimal assembly, we recommend that you use flat headed screws for the chipboard back and drawer side

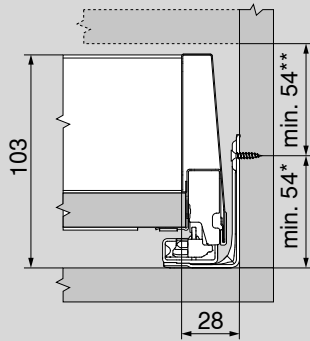
Fixing screw (flat headed screw)			
	Ø (mm)	Length (mm)	Maximum screw head height: 2 mm
	3.5	15	For the connection of chipboard back fixings with chipboard back and drawer sides with drawer base

In order to achieve optimal assembly, we recommend that you use flat headed screws for the chipboard back and drawer side

System screws			
	Ø (mm)	Length (mm)	
	6	14.5	For connecting the cabinet profile to the cabinet

Planning

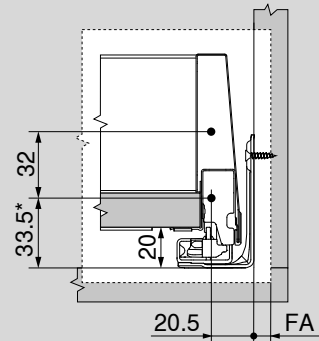
Space requirements in the cabinet



* + 1 mm if cabinet profile is installed before cabinet is assembled

** Incl. 2 mm tilt adjustment

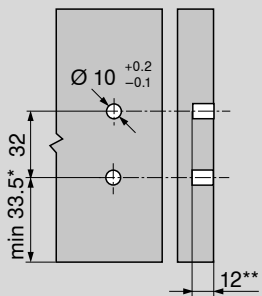
Front installation dimensions for screw-on assembly



* + 1 mm if cabinet profile is installed before cabinet is assembled

FA Front overlay

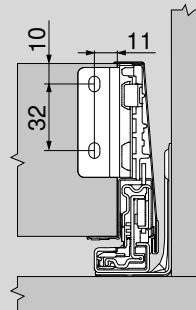
Front drilling distances for INSERTA/EXPANDO T



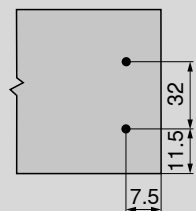
* + 1 mm if cabinet profile is installed before cabinet is assembled

** min. 6 mm for EXPANDO T

Back installation dimensions



Centre piece drilling distances



Planning

Cutting dimensions for 16 mm chipboard

Chipboard back		B (mm)
Height		83
Base length		A (mm)
Chipboard back		NL - 26
Y min.	40 mm	
Y min.	99 mm with TIP-ON BLUMOTION	
Y max.	225 mm	
Position of drawer base drill hole		
Pre-drilling possible when using a flat headed screw	NL (mm)	X (mm)
	> 500	256
<p>W For effective use of storage space, we recommend: NL of outer drawer sides - NL of inner drawer sides = min. 150 mm</p>		
Centre piece		C (mm)
Height		67
KB Cabinet width		
LW Internal cabinet width		
NL Nominal length		
SPW Internal width between sink drawer sides		

Cabinet profile screw position – 40 kg

Nominal length NL (mm)

A	Chipboard screw Ø 4 x 15 mm
B	System screws Ø 6 x 14.5 mm
*	For greater lateral stability Chipboard screw Ø 4 x 15 mm
Internal cabinet depth LT min. = NL + 3 mm	

Cabinet profile screw position – 70 kg

Nominal length NL (mm)

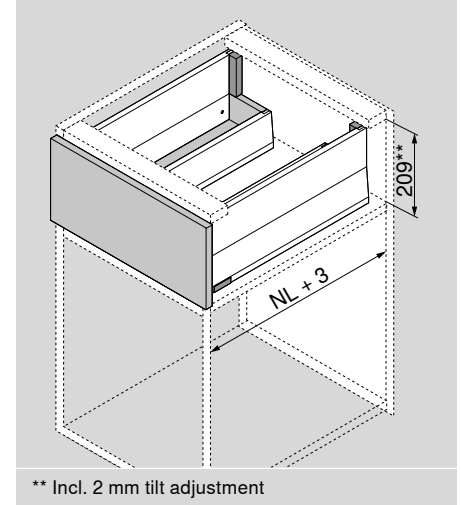
A	Chipboard screw Ø 4 x 15 mm
B	System screws Ø 6 x 14.5 mm
*	For greater lateral stability Chipboard screw Ø 4 x 15 mm
**	For greater vertical stability Can be replaced with chipboard screw Ø 4 x 15 mm
Internal cabinet depth LT min. = NL + 3 mm	

Product


Example of inner pull-out using BOXCAP

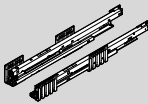
Description

- Sink cabinet solution for optimum use of storage space
- Can be implemented with standard drawer sides, outer drawer sides in height E (MERIVOBX modular with gallery, BOXCOVER or BOXCAP), inner drawer sides in height M
- BLUMOTION cabinet profile for all applications with interface for TIP-ON BLUMOTION and side stabilizer
- Can be combined with SERVO-DRIVE

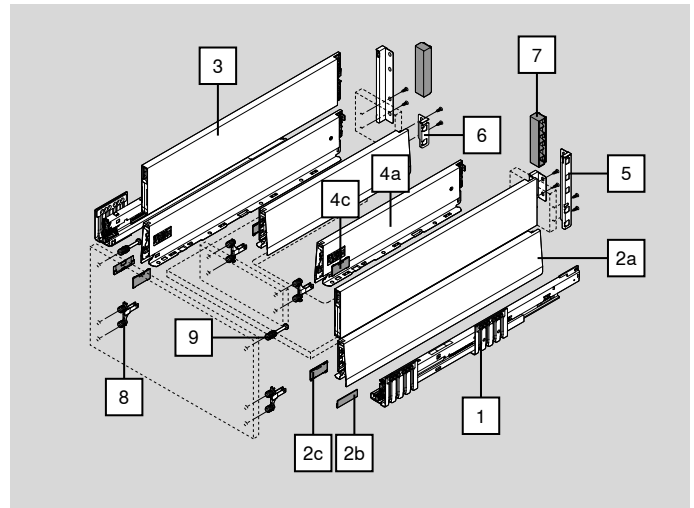
Space requirement

Ordering information
Application recommendation

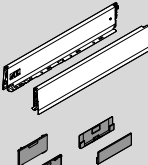
The outer sink drawer sides can be combined with all height E options. Please see the relevant page for planning information and the components to be ordered.

High fronted pull-out modular with gallery	28
High fronted pull-out modular with BOXCOVER	32
High fronted pull-out modular with BOXCAP	36

1	Cabinet profile left/right		
	Nominal length NL (mm)	BLUMOTION*	
		40 kg	70 kg
	500	450.5001B	453.5001B
	550	450.5501B	453.5501B
	600	450.6001B	453.6001B

* Suitable for SERVO-DRIVE and TIP-ON BLUMOTION

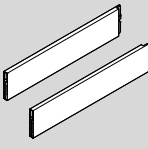


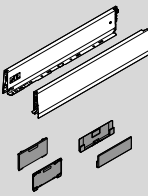
2	Outer drawer side set			
	Height of drawer side (mm)	M	91	
	Nominal length NL (mm)			SW-M
	500			470M5002S
	550			470M5502S
	600			470M6002S

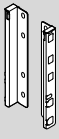
Consisting of:

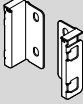
2a	1 x	Drawer side left/right
2b	2 x	Branding element, stamped with Blum logo, custom printed from 1000 pcs
2c	2 x	Cover caps

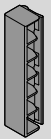
Ordering information

	3		BOXCAP			
	Height		Material			
	E		Steel			
	Nominal length NL (mm)				SW-M	IG-M
	500		ZL4.500S.E			
	550		ZL4.550S.E			
600		ZL4.600S.E				

	4		Inner drawer side set			
	Height of drawer side (mm)		M	91		
	Nominal length NL (mm)				SW-M	IG-M
	350		470M3502S			
	400		470M4002S			
450		470M4502S				
Consisting of:						
4a	1 x	Drawer side left/right				
4b	2 x	Branding element, stamped with Blum logo, custom printed from 1000 pcs				
4c	2 x	Cover caps				
For effective use of storage space, we recommend:						
NL of outer drawer sides - NL of inner drawer sides = min. 150 mm						

	5		External chipboard back fixing left/right			
	Height		Material		SW-M	IG-M
	E		Steel		ZB4E000S	

	6		Internal chipboard back fixing left/right			
	Height		Material		SW-M	IG-M
	M		Steel		ZB4M000S	

	7		Cover for back height M with drawer side height E			
	Material				SW-M	IG-M
	Nylon	2 x	ZB4M00AK			
Symmetrical						

Ordering information

	8 Front fixing bracket		
	Fixing method		
	EXPANDO T	4 x	ZF4.10T2
	Screw-on*	4 x	ZF4.1002
* Screws not included in scope of delivery			
EXPANDO T suitable for thin fronts – see page 61			

	9 Front fixing bracket, top		
	Fixing method		
	EXPANDO T	2 x	ZF4.50T2
	INSERTA	2 x	ZF4.50I2
	Screw-on – pre-assembled chipboard screw Ø 3.8 x 11.4 mm	2 x	ZF4.5002
* Screws not included in scope of delivery			
EXPANDO T suitable for thin fronts – see page 61			

Accessories

Chipboard screw			
	Ø (mm)	Length (mm)	
	3.5	15	For connecting the cabinet profile to the cabinet
	3.5	17	For front fixing bracket (screw-on)

In order to achieve optimal assembly, we recommend that you use flat headed screws for the chipboard back and drawer side

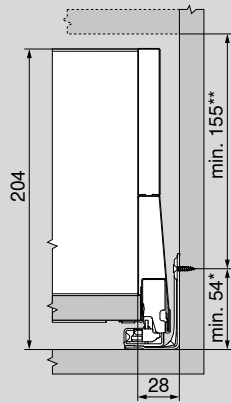
Fixing screw (flat headed screw)			
	Ø (mm)	Length (mm)	
	3.5	15	Maximum screw head height: 2 mm For the connection of chipboard back fixings with chipboard back and drawer sides with drawer base

In order to achieve optimal assembly, we recommend that you use flat headed screws for the chipboard back and drawer side

System screws			
	Ø (mm)	Length (mm)	
	6	14.5	For connecting the cabinet profile to the cabinet

Planning

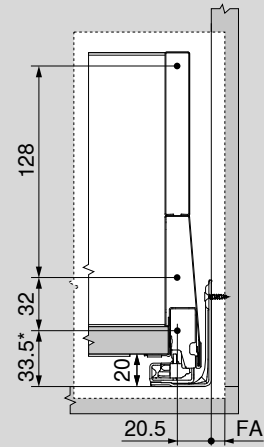
Space requirements in the cabinet



* + 1 mm if cabinet profile is installed before cabinet is assembled

** Incl. 2 mm tilt adjustment

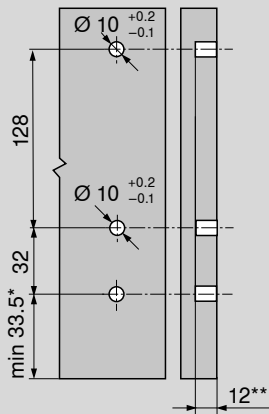
Front installation dimensions for screw-on assembly



* + 1 mm if cabinet profile is installed before cabinet is assembled

FA Front overlay

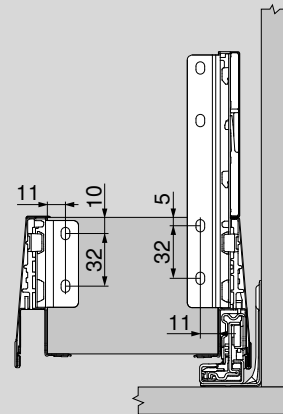
Front drilling distances for INSERTA/EXPANDO T



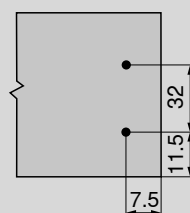
* + 1 mm if cabinet profile is installed before cabinet is assembled

** min. 6 mm for EXPANDO T

Back installation dimensions

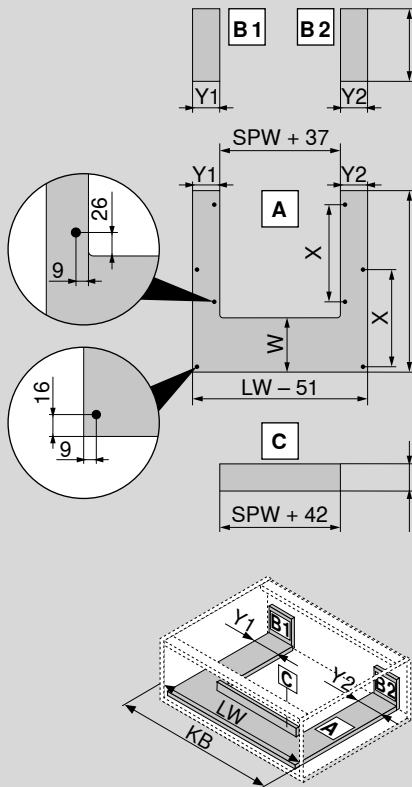


Centre piece drilling distances



Planning

Cutting dimensions for 16 mm chipboard



Chipboard back		B (mm)
Height		83
Base length		A (mm)
Chipboard back		NL - 26
Y min.	40 mm	
Y min.	99 mm with TIP-ON BLUMOTION	
Y max.	225 mm	
Position of drawer base drill hole		
Pre-drilling possible when using a flat headed screw	NL (mm)	X (mm)
	> 500	256
W For effective use of storage space, we recommend: NL of outer drawer sides - NL of inner drawer sides = min. 150 mm		
Centre piece		C (mm)
Height		67
KB Cabinet width		
LW Internal cabinet width		
NL Nominal length		
SPW Internal width between sink drawer sides		

Planning

Cabinet profile screw position – 40 kg

Nominal length NL (mm)

NL 500–600

A	Chipboard screw Ø 4 x 15 mm
B	System screws Ø 6 x 14.5 mm
*	For greater lateral stability Chipboard screw Ø 4 x 15 mm
Internal cabinet depth LT min. = NL + 3 mm	

Cabinet profile screw position – 70 kg

Nominal length NL (mm)

NL 500–550

NL 600

A	Chipboard screw Ø 4 x 15 mm
B	System screws Ø 6 x 14.5 mm
*	For greater lateral stability Chipboard screw Ø 4 x 15 mm
**	For greater vertical stability Can be replaced with chipboard screw Ø 4 x 15 mm
Internal cabinet depth LT min. = NL + 3 mm	

Product

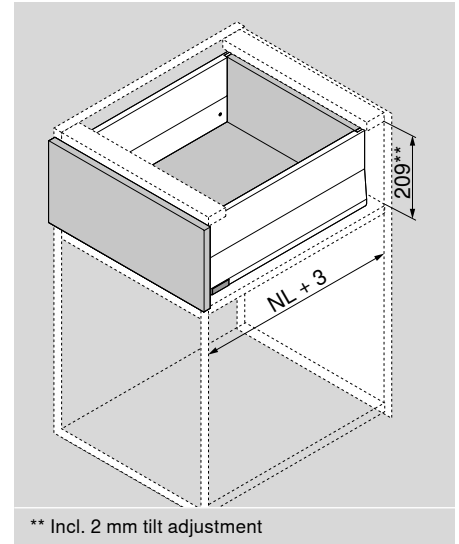


Example of inner pull-out using BOXCAP

Description

- Cabinet profile with forward-set hook for waste bin applications
- BLUMOTION cabinet profile for all applications with interface for TIP-ON BLUMOTION
- Can be combined with SERVO-DRIVE
- Can be combined with all high fronted pull-out options in height E

Space requirement



Ordering information

Application recommendation

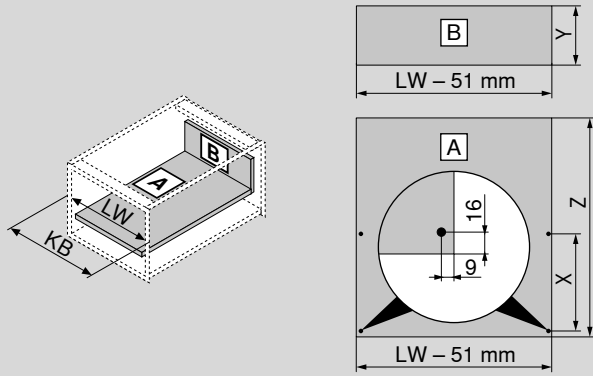
The cabinet profile with over extension for waste bin applications can be combined with any high fronted pull-out option in height E. Please see the relevant page for the components to be ordered. All components apart from the cabinet profile are needed.

High fronted pull-out modular with gallery	28
High fronted pull-out modular with BOXCOVER	32
High fronted pull-out modular with BOXCAP	36

1	Cabinet profile left/right	
	Nominal length NL (mm)	BLUMOTION*
		70 kg
	450 ¹	453.4501BZ
	500 ²	453.5001BZ
	550 ³	453.5501BZ
¹ Can be combined with NL 400 mm drawer side.		
² Can be combined with NL 450 mm drawer side.		
³ Can be combined with NL 500 mm drawer side.		
* Suitable for SERVO-DRIVE and TIP-ON BLUMOTION		

Planning

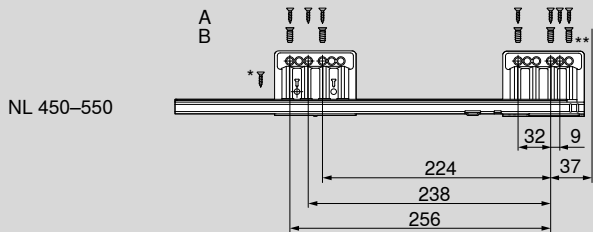
Cutting dimensions for 16 mm chipboard



Chipboard back		Y (mm)
Height		184
Base length		Z (mm)
Chipboard back		NL - 26
Position of drawer base drill hole		
Pre-drilling possible when using a flat headed screw	NL (mm)	X (mm)
	> 450	256
KB Cabinet width		
LW Internal cabinet width		
NL Nominal length		

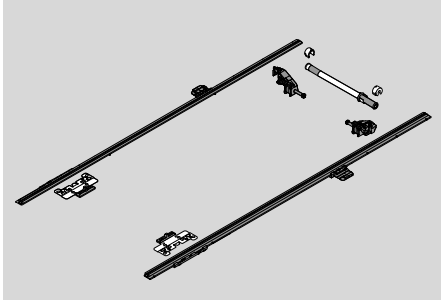
Cabinet profile screw position – 70 kg

Nominal length NL (mm)



A	Chipboard screw Ø 4 x 15 mm
B	System screws Ø 6 x 14.5 mm
*	For greater lateral stability Chipboard screw Ø 4 x 15 mm
**	For greater vertical stability Can be replaced with chipboard screw Ø 4 x 15 mm
Internal cabinet depth LT min. = NL + 3 mm	

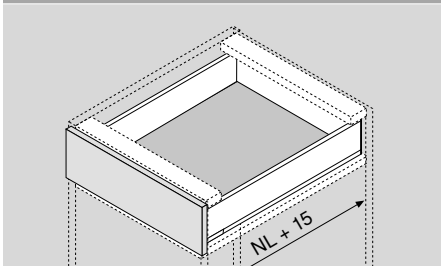
Side stabilizer



Description

- Additional stabilization for extra wide pull-outs
- Recommendation: Cabinet width KB 900 up to 1400 mm
- Aluminium rod suitable for cabinet width KB 1400 mm, for cutting to size
- Suitable for use in combination with BLUMOTION, SERVO-DRIVE and TIP-ON BLUMOTION
- No additional space requirement at the bottom

Space requirement



Ordering information

Nominal length NL (mm)

270-600

ZS4.650MU

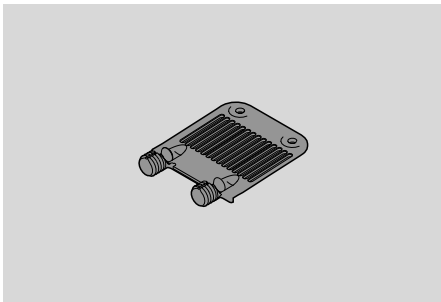
Shaft cutting

Internal cabinet width LW - 231 mm

Gear rack cutting

Nominal length NL + 10 mm

Front/base stabilizer



Description

- For supporting wide drawer bases

Ordering information

Front/base stabilizer

Colour

RAL 7037 dust grey

Material

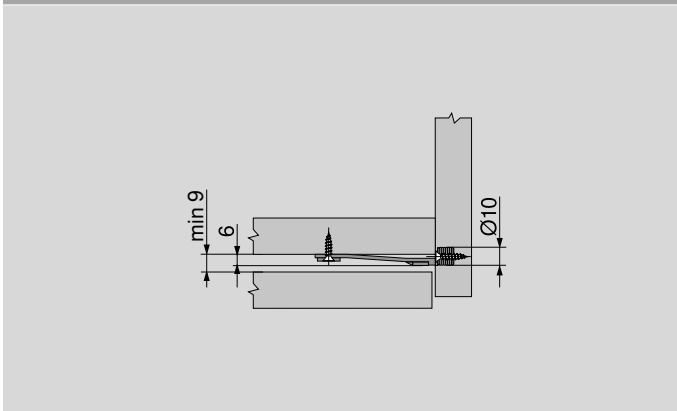
Nylon

Z96.10E1

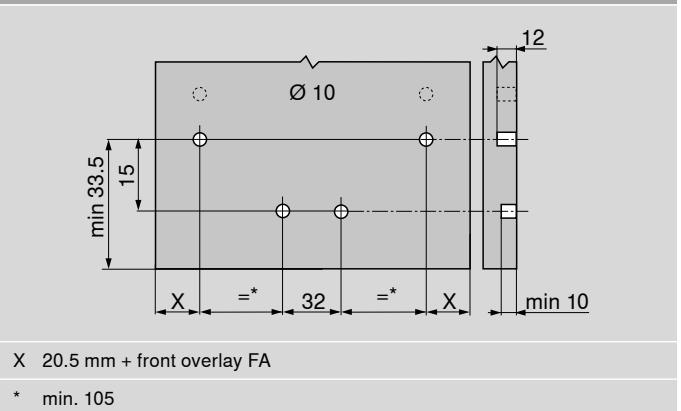
Recommendation:

Cabinet width KB > 600 mm: 1 pc

Space requirement



Front drilling distances



TORX screwdriver



Description

- TORX size 20 (T20)
- Blade length 35/100 mm
- Total length 100/210 mm
- To make adjustments

Product



- EXPANDO T – pre-assembled fixing system
- Thin fronts of 8 mm to 14 mm
- Different front materials
- 3 different applications – lift systems | hinge systems | box systems

Ordering information

Front fixing bracket		
	Front fixing bracket	ZF4.10T2
	Front fixing bracket, top	ZF4.50T2

Front/base stabilizer			
	Colour	Material	
	RAL 7037 dust grey	Nylon	Z96.00T1
Recommendation:			
Cabinet width KB > 600 mm: 1 piece			
Cabinet width KB > 900 mm: 2 piece			
Front height FH > 380 mm: 1 piece			

Front/base stabilizer	
<p>Space requirement</p>	<p>Drilling pattern/drilling depth</p> <p>X = 14 mm + front overlay FA * For stone and ceramics +0.2/-0.1 mm ** min. 80</p>

EXPANDO T			
Area of application and assembly recommendation			
<p>EXPANDO T is suitable for fixing Blum fittings to thin cabinet fronts of all types of materials in cabinet construction.</p> <p>Materials can be just 8 mm thick or more, provided they are sufficiently stable and strong.</p>	Materials tested by Blum	Transverse tensile strength (N/mm²)	Nm
	Chipboard	> 0.40	1.5
	MDF	> 0.60	1.5
	HDF		2
	HPL		2
	Mineral composites		2
	Granite stone – Nero Assoluto		3
	Artificial stone – quartz composite		3
	Ceramic panels		3
Nm Minimum tightening torque			

Liability disclaimer

Blum accepts no liability for the use of EXPANDO T in combination with materials not listed or fittings from other manufacturers. It is recommended that the assembly be carried out by an experienced furniture manufacturer.

BOXFIX plus



- Pneumatic assembly device for the efficient assembly of drawers and high fronted pull-outs
- Assembly type: Screws (or nails)
- Nominal length: 270–650 mm
- Cabinet width: 275–1200 mm

Ordering information

BOXFIX plus

ZMM.2500

BOXFIX E-M



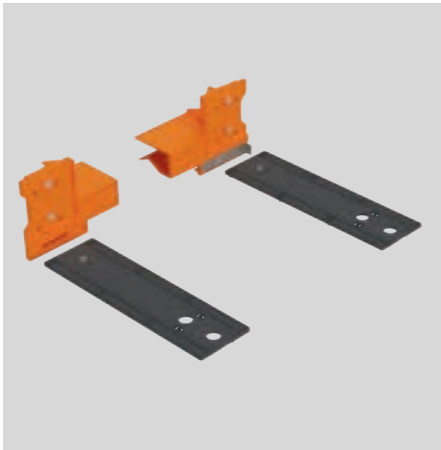
- Convenient device for fast assembly of MERIVOBOX
- All MERIVOBOX components are assembled seamlessly with great precision
- For all drawer side materials
- Assembly type: Screws
- Nominal length: 270–650 mm
- Cabinet width: 250–1200 mm
- Material: Nylon/steel

Ordering information

BOXFIX E-M

ZMM.0400

Marking template for MERIVOBOX



- Template for marking the fixing positions of front fixings
- Material: Nylon/steel

Ordering information

Marking template for MERIVOBOX

ZML.4010

MINIPRESS P



- Makes it easy to drill fixing holes for MERIVOBX front fixing brackets, cabinet profiles, drawer bases and chipboard back fixings.

Ordering information	
MINIPRESS P	
	M53.1050

EASYSTICK



- EASYSTICK – the new, automatic and easy to set up ruler system for drilling and insertion machines from Blum
- Tool-free adjustment and digital determination of the fixing positions for MERIVOBX front fixing bracket and cabinet profiles
- Transfer of planned data from the Cabinet Configurator via USB stick directly onto EASYSTICK
- The barcode scanner allows you to retrieve and edit imported manufacturing and drilling data

Ordering information	
EASYSTICK	
Ruler	MZD.2000
Computer	MZD.5000

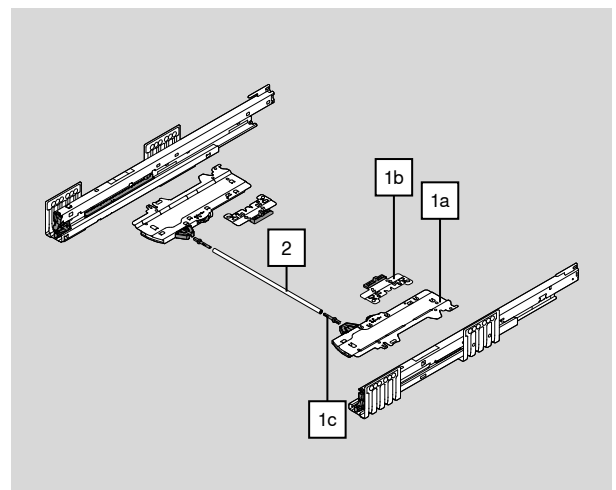
Product

Description

- TIP-ON mechanical opening support system combined with BLUMOTION for soft and effortless closing
- Small minimum front gap of just 2.5 mm
- Extensive trigger range
- Optional synchronization from internal cabinet width LW 243 mm – we generally recommend synchronization in all cases
- 4-dimensional front adjustment option

Ordering information

1 TIP-ON BLUMOTION set					
The TIP-ON BLUMOTION unit is available in varying strengths to suit different weight ranges and nominal lengths. Each version has a different colour to make them easy to distinguish. The latch can be universally used for all TIP-ON BLUMOTION units.					
NL (mm)	Unit		Cabinet profile (kg)	Weight (kg)	
270	S0	White	40	≤ 10	T60H4040
270	S1	Light grey	40	> 10–20	T60H4140
350–600	L1	Light grey	40	² ≤ 20	T60H4340
350–600	L3	Dust grey	40	² 15–40	T60H4540
450–600	L5	Black	70	³ 35–70	T60H4570
Consisting of:					
1a	1 x	TIP-ON BLUMOTION unit left/right			
1b	1 x	TIP-ON BLUMOTION latch left/right			
1c	2 x	TIP-ON BLUMOTION synchronisation adapter			
Internal cabinet width LW ≥ 297 mm					
¹	Recommended weight ranges (total weight of the pull-out) for an optimum opening and closing function				
²	Can only be combined with a 40 kg cabinet profile				
³	Recommendation: Only use in combination with a 70 kg cabinet profile				
Make the right calculations for your TIP-ON BLUMOTION unit using the Product Configurator: www.blum.com/configurator					



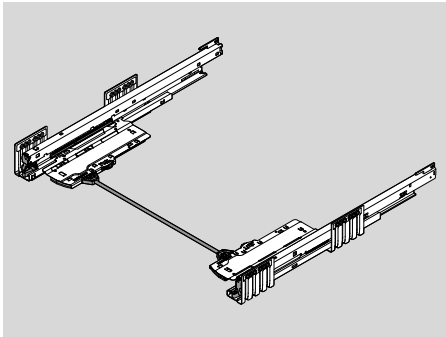
Internal cabinet width LW 243-296 mm		
TIP-ON BLUMOTION synchronization		
	Version	Colour
	Square	RAL 7035 light grey
		T60.300D
Cutting	Internal cabinet width LW - 224 mm	

Accessories

Internal cabinet width LW ≥ 297 mm		
1c	TIP-ON BLUMOTION synchronization adapter	
	Version	Colour
	Symmetrical	RAL 7035 light grey
		T60.000D
Order 2x		

TIP-ON BLUMOTION checking/setting template		
	Front gap FS (mm)	Colour
	2.5	Orange
		65.5627

Internal cabinet width LW ≥ 297 mm			
2	TIP-ON BLUMOTION synchronization linkage		
	Version	Colour	
	Round	Grey	
T60.1125W			
In combination with 1c 2 x T60.000D			
Suitable up to internal cabinet width LW 1370 mm			
Note			
To optimize the function and increase the trigger range, we generally recommend using synchronization.			
Cutting	Internal cabinet width LW - 250 mm		



- TIP-ON BLUMOTION for MERIVOBX uses the same standard installation dimensions as MERIVOBX
- The following diagrams show a drawer with height M

Furniture construction

Precise manufacturing is required to ensure a front gap of at least 2.5 mm. This means that the construction must adhere to the dimensions and angles planned.

Plinth leg

Front assembly

Bumpers must not be installed for TIP-ON BLUMOTION!

Space requirements in the cabinet

Drawer/high fronted pull-out	Inner drawer/inner pull-out

* + 1 mm if cabinet profiles are installed before cabinet is assembled

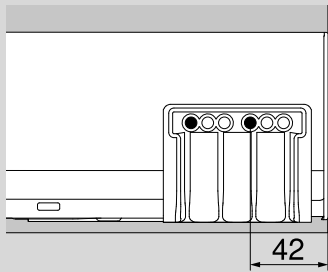
** Incl. 2 mm tilt adjustment

Latch (Z17.0M06) and latch housing (ZIF.7002) cannot be used in combination with TIP-ON BLUMOTION

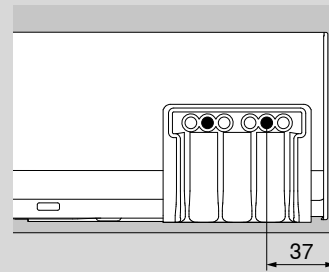
NL Nominal length

Planning

Screw position – inner drawer | inner pull-out

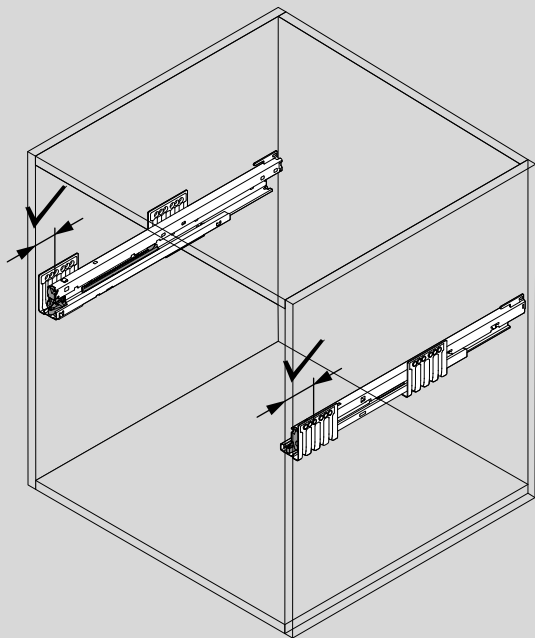


Variant 1



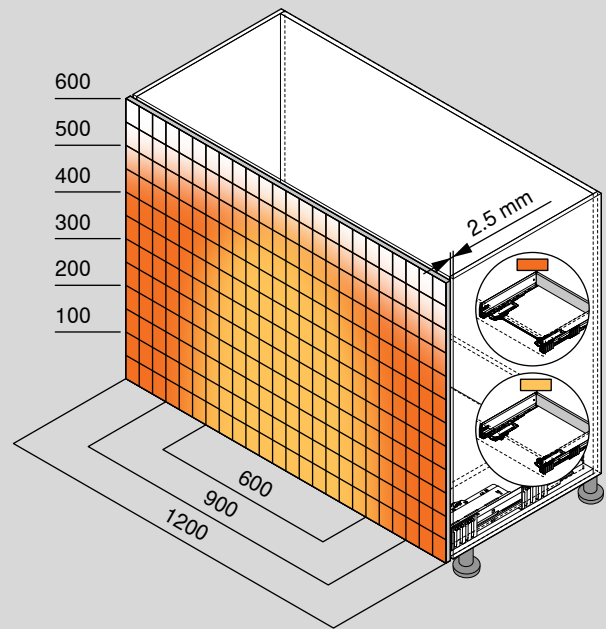
Variant 2

Depth position



Ensure that both cabinet profiles are positioned at the correct depth.

Trigger range



Trigger range

- With synchronization
- Without synchronization

Minimum front gap (mm) 2.5

To optimize the function and increase the trigger range, we generally recommend using synchronization.

Example of height E, nominal length NL 500 mm

Blum Canada Ltd.
6775 Maritz Drive
Mississauga, ON, L5W 0H5
Tel.: 905-670-7920
Long Dist.: 1-800-670-9254
E-Mail: info.ca@blum.com

Julius Blum GmbH
Furniture Fittings Mfg.
6973 Höchst, Austria
Tel.: +43 5578 705-0
Fax: +43 5578 705-44
E-mail: info@blum.com
www.blum.com

Our sites in Austria, Poland and China are certified to the international standards mentioned below.
Our site in the USA is certified to ISO 9001.
Our site in Brazil is certified to ISO 9001, ISO 14001 and ISO 45001.



Look for our
FSC®-certified
products



All content is copyrighted by Blum.
Subject to technical modifications and changes to the range without notice.
IDNR: 627.829.9 · EP-575/1 EN-CA/06.22