


MERIVOBX





Launching a new box system is hard work and requires extensive research and development. But that is not all. We had to rethink all our processes, expand our plants, make space for new and specially developed production facilities, manufacture the right tools and coordinate everything down to the last detail, including packaging and logistics. However, it also requires some effort from our customers and partners. It means changing manufacturing processes, adapting assembly and even training employees.

Our latest box system provides a unique combination of a slim drawer side design, high stability and easy assembly. It allows you to create a broad range of drawers with just a few components – and all with the same easy assembly process. The L-shape of the cabinet profile is coupled with maximum functionality, which is what makes the uniform box platform so innovative. Assembly is always the same, adjustment is simple and MERIVOBX boasts award winning design.

MERIVOBX.

Offering variety has never been so easy.



Contents

- 04 Innovation drivers
- 06 Diverse platform
- 08 Unique design
- 10 Compelling functionality
- 12 Well-thought out assembly
- 14 The easy way to offer variety
- 16 Colour concept
- 18 MERIVOBX in the kitchen
- 20 MERIVOBX throughout the home
- 28 Cabinet solutions
- 30 AMBIA-LINE
- 32 Motion technologies
- 34 Services
- 36 Assembly devices
- 38 moving ideas

Innovation drivers

MERIVOBX brings together four innovations: a platform for simplified manufacturing, a minimalist design for a unique look, a new cabinet profile for enhanced functionality and a well-thought-out assembly concept for easy implementation.

Platform

It takes just a few components to create your own extensive range. And you can make furniture manufacturing even more efficient at the same time. Diverse and yet simple.

Design

MERIVOBX boasts straight lines and a striking look. Create your own diverse and unmistakable range of furniture! Modern minimalism meets distinctive design.

Functionality

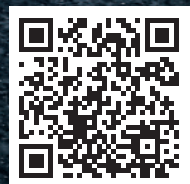
MERIVOBX will inspire your customers for the lifetime of the furniture. The newly developed cabinet profile concept delivers extremely smooth running action and high load bearing capacity coupled with a feather-light glide and enhanced stability.

Assembly

A well-thought-out concept. No matter which model you opt for, assembly is always simple and adjustment always the same. It is extremely easy to achieve precise results.



Detailed information on the awards can be found at:
www.blum.com/award



Watch the MERIVOBX video
www.blum.com/mvx-image

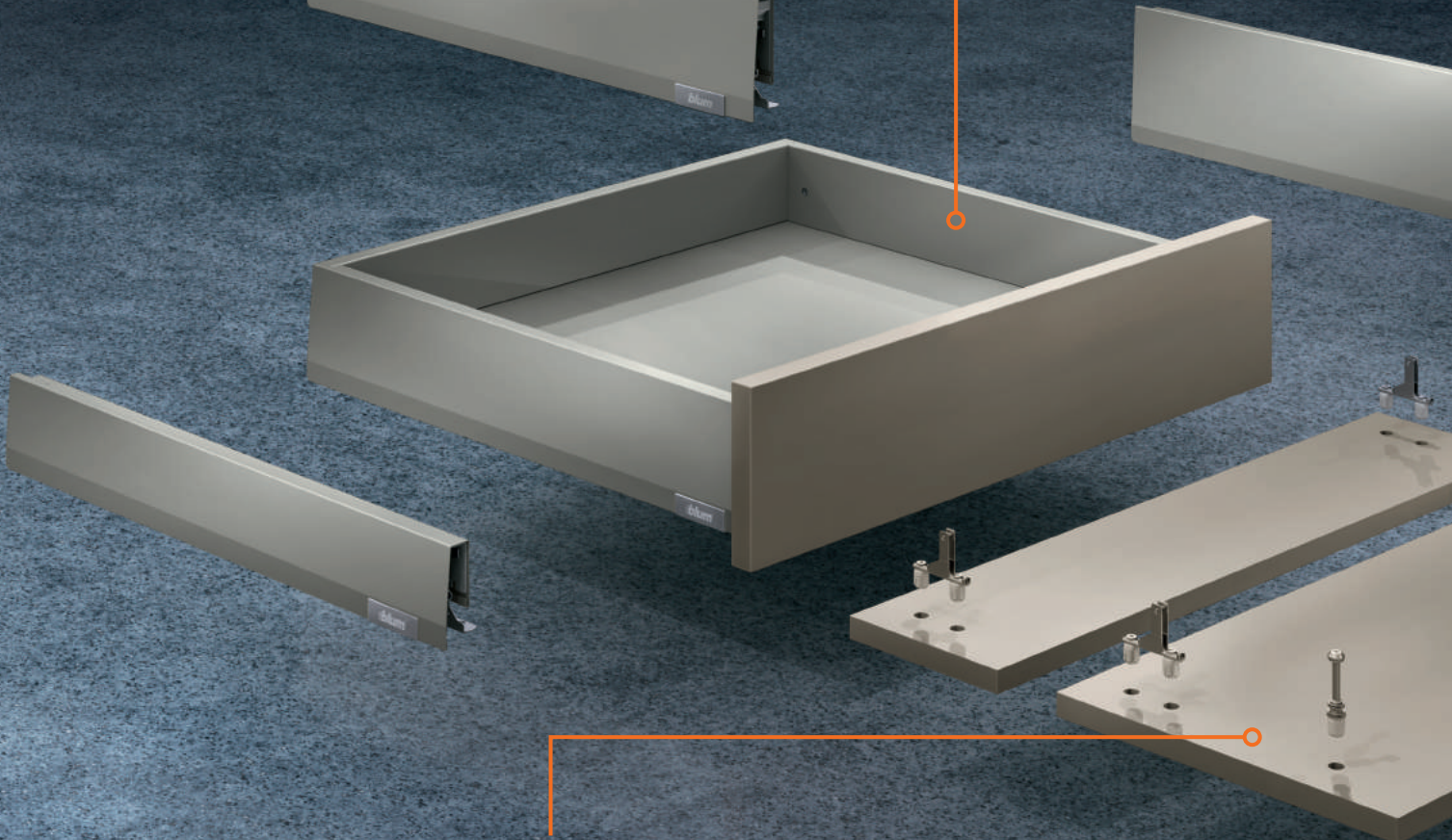


reddot winner 2021



One drawer side – countless possibilities

Drawer sides form the frame of the drawer. The integrated platform interface makes it easy to add a variety of components: MERIVOBX with a gallery, with BOXCOVER or a closed metal side with BOXCAP. It is therefore extremely easy to create differentiation for your customers.

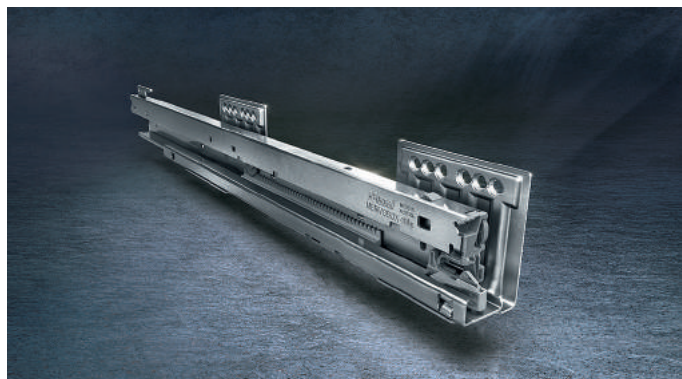


One front for all

The same drilling position and front fixing bracket for your entire MERIVOBX range. One front for all drawer options and one for all high fronted pull-out options. This presents a compelling argument for faster assembly.

Simplify your processes with a diverse platform

Our completely new MERIVOBX box system gives you simple manufacturing AND great variety, making it easier for you to meet the needs of your customers.



Cabinet profile as the basis of the platform

You can use the same fixing position (height and depth) for all applications – be it with BLUMOTION, SERVO-DRIVE or TIP-ON BLUMOTION, with side stabilizers or for inner drawers. Simply drill into the cabinet in the same way every time and then decide which solution you wish to install.

Smooth transitions

Smooth transitions are a key feature of the well-thought-out design for virtually seamless pull-outs.

Exposed metal parts

Metal components and a coordinated colour scheme create a top quality look without any nylon components even for the version with a gallery.

Distinctive drawer side design

The slim drawer side has a distinctive design line that creates exciting light reflections.

Branding element

Add your own branding to the drawer side and simply slide on the branding element for consistent positioning. Or not. Drawer sides have a sleek look even without a branding element.



The image shows a close-up of a grey cabinet edge. A flush cover cap is visible on the top edge, and the interior edge is straight. Orange lines and circles highlight these features, connecting them to the text blocks on the right.

Flush cover cap

The clear cut design on the inside is rounded off by a flush cover cap. AMBIA-LINE beautifully organises interiors even with cover caps in place.

Straight on the inside

This enables you to use storage space right up to the edge. Combine with AMBIA-LINE to create stunning interiors and maximise the storage available.

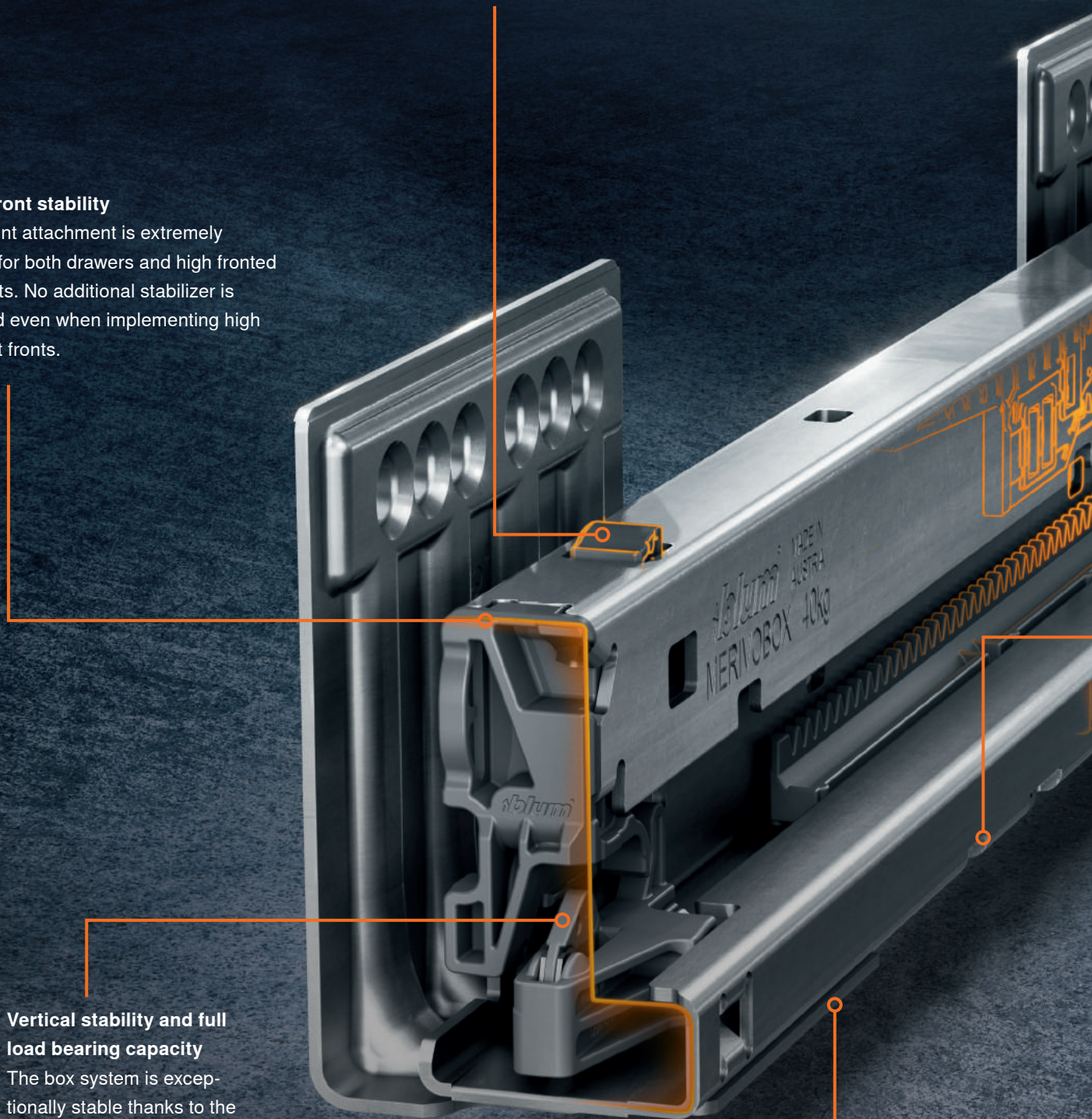
Opt for a unique design

Pull-out stop

The integrated pull-out stop guarantees that the cabinet profile and drawer are connected securely. Accidental removal is impossible.

High front stability

The front attachment is extremely stable for both drawers and high fronted pull-outs. No additional stabilizer is needed even when implementing high cabinet fronts.

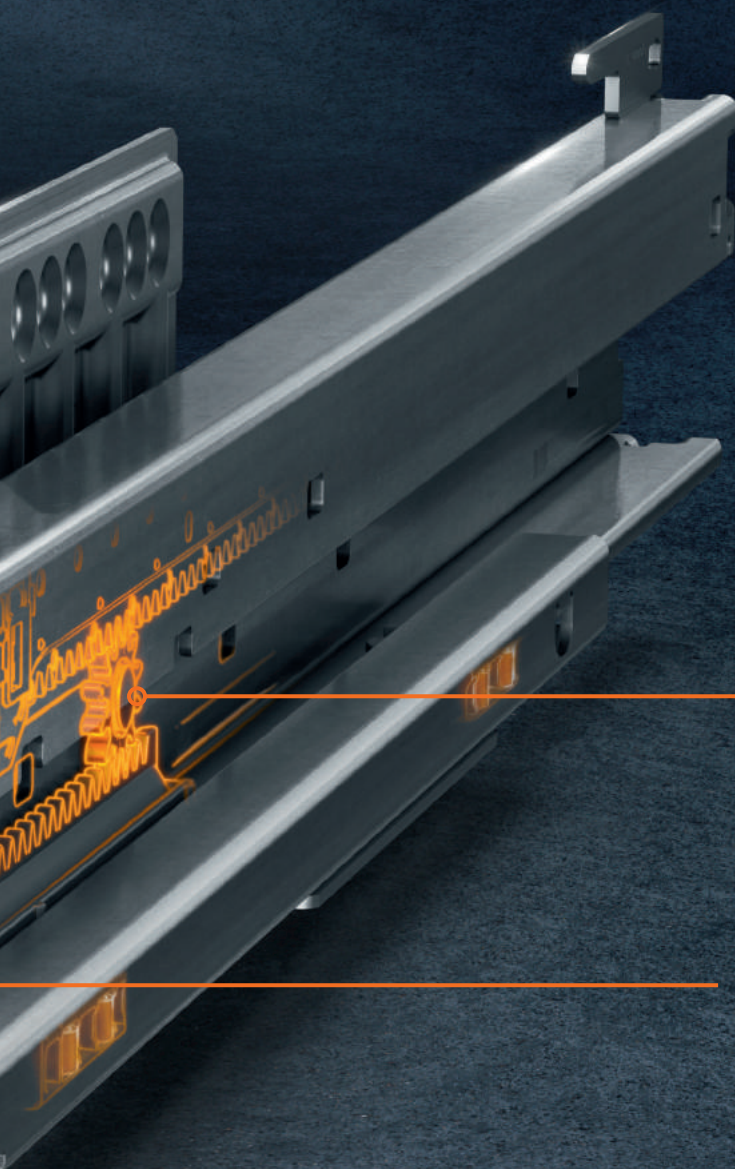


Vertical stability and full load bearing capacity

The box system is exceptionally stable thanks to the unique L-shape of the cabinet profile. Additionally, it has a high dynamic carrying capacity of 40 or 70 kg.

Stable front position

No matter whether empty or fully laden. Once adjusted, the gap layout will remain aligned to create a harmonious look.

**Synchronised feather-light glide**

Thanks to full synchronization, pull-outs open with ultimate ease. The new box system is characterised by a smooth opening and closing action that will convince kitchen buyers.

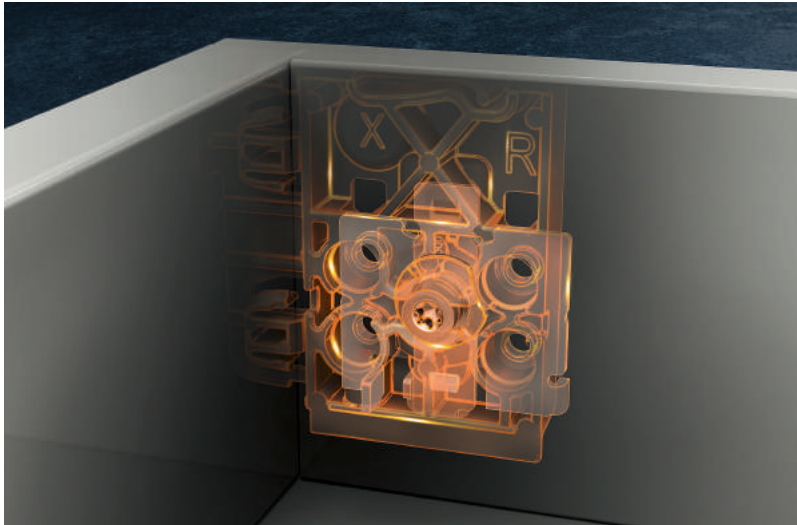
Interface for optional components

Equip MERIVOBX with motion technologies and side stabilizers to suit your needs – also possible at a later stage of the manufacturing process.

Benefit from compelling functionality



Use our EASY ASSEMBLY app to find answers to any questions you may have about assembly and adjustment. www.blum.com/eaapp



Tilt adjustment

You can adjust the front connector plate in just a few simple steps, no matter which drawer side height you use.



Fast, reliable assembly and removal of fronts

You can easily insert the front thanks to the holding position, even when a pull-out is already in place. Very wide fronts can also be easily removed, even by a single person.



Watch the MERIVOBX video www.blum.com/mvx-installation

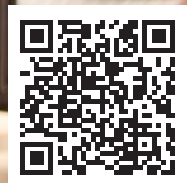


Improve your efficiency with well-thought-out assembly

Every MERIVOBX option can be implemented quickly and easily thanks to the consistent platform concept. The box system has simple, clearly labelled and easily accessible 3-dimensional adjustment options for side, height and tilt adjustment, which are the same for every drawer side.

Drawer M

Drawer side height M is a true all-rounder as a drawer, but also as a base for all high fronted pull-out options.



Fittings selection made easy with the online Product Configurator at www.blum.com/configurator

The easy way to offer variety

MERIVOBX is based on a platform concept so you can create a broad range of drawers and pull-outs with just a few components, and all with the same easy assembly process. This simplifies production processes and increases efficiency.



**MERIVOBX
with gallery**

Create a clean cut design with the use of exposed metal components.



**MERIVOBX
with BOXCOVER**

Create unique pull-outs with large design elements.



**MERIVOBX
with BOXCAP**

Simply clip on BOXCAP and you have a metal pull-out with closed sides.

MERIVOBX with
gallery in indium grey matt



**The choice
is yours:
our coordinated
colour concept**



MERIVOBX with BOXCAP in indium grey matt



MERIVOBX with BOXCOVER in silk white matt



MERIVOBX
with **BOXCOVER**
Glass design elements
capture the light and create
a classy impression.

MERIVOBX in the kitchen

Its impressive functions make MERIVOBX ideal for the kitchen. Regardless of what's cooking, our latest box system ensures that kitchen users have clear visibility and ergonomic access to all storage items. Choose the right model to suit the application and your preferences. MERIVOBX is a reliable partner and not just for cooking, but for the lifetime of the furniture.



MERIVOBX with gallery

The high fronted pull-out option with a gallery is a real eye-catcher and a top quality, entry-level solution.



MERIVOBX with BOXCAP

Experts consistently opt for metal: it accentuates the clear cut design.

MERIVOBX throughout the home

A box system that proves its worth in the kitchen is also ideally suited to other living areas. The top quality look of MERIVOBX blends seamlessly into any home.



In the study

Equip your home office with MERIVOBX and make working from home a cinch. Pens, pads and folders are exactly where they should be and immediately at hand.



In the living room

Bring variety to pull-outs: combine MERIVOBX with BOXCOVER to highlight your personal style in the living room. Use design elements to create daring contrasts and amazing harmonies.



In the bathroom



SPACE STEP
Drawer in height N



SPACE TOWER
MERIVOBX with
gallery as inner pull-out

Regardless of the application, MERIVOBX looks just as good in the bathroom. Be it in the form of the SPACE TOWER, SPACE STEP or a conventional washstand, maximize the existing space and make day-to-day life easier. A stunning design enables you to meet customer requirements, no matter which version you opt for.

In the bedroom

Either as a bedside cabinet or vanity unit, MERIVOBX is practical for day-to-day use, and a plus for real bookworms and little beauty queens alike.





In the dressing room

Find the right spot for every item of clothing
and always maintain an overview.

Be it for a weekend trip or the next holiday,
your suitcase will be packed in no time.







Register for Blum E-SERVICES
and gain access to the Cabinet Configurator:
www.blum.com/cabinetconfig

MERIVOBX impresses
even when heavily loaded:
sophisticated solutions
such as the SPACE TOWER
larger unit create valuable
storage space. It comes in
all heights and widths and
provides all-round access.

Cabinet solutions

Furniture and fittings have to withstand the rigours of everyday use. Blum has been investigating the requirements of users for years. Thanks to our research, we are constantly coming up with new ideas for making modern living environments even more functional.



SPACE TWIN

Diagonally offset cabinet profiles allow you to turn tiny gaps into valuable storage space.



SPACE STEP

The clever plinth solution creates additional storage space and gives users easy access to higher storage levels.

AMBIA-LINE – organisation at its best

The elegant frames of the AMBIA-LINE inner dividing system complement MERIVOBX perfectly.



Cutlery insert and drawer frame

Everything where it should be, from forks to wooden spoons. AMBIA-LINE gives you clear visibility of all contents.



Drawer frame

Be it beauty accessories or odds and ends, everything is always tidy and at hand thanks to the inner dividing system.



Frame for high fronted pull-outs

If you love to keep things neat and tidy, you can't go wrong with AMBIA-LINE for organising the entire wardrobe, regardless of the folding technique that you use.



Everything nice and tidy
Cross galleries and lateral dividers can be positioned flexibly so you can adapt MERIVOBX to suit storage items.



100,000

opening and closing cycles

Blum fittings are designed to impress you on a daily basis with their functionality and durability. They have been put through as many as 100,000 opening and closing cycles. As a result, our pull-outs are a pleasure to use for the lifetime of the furniture.



Find out more about all four
motion technologies by Blum at:
www.blum.com/4formore

Motion technologies for MERIVOBX



BLUMOTION

by Blum

Mechanical soft close

Soft and effortless closing for all your furniture – no matter how heavy the pull-out, door or wall cabinet front.



SERVO-DRIVE

by Blum

Electrical opening and soft close

Wall cabinets and pull-outs open at a single touch. Soft and effortless closing thanks to the integrated BLUMOTION soft-close mechanism.



TIP-ON BLUMOTION

by Blum

Mechanical opening

Pull-outs open at a single touch, giving users easy access to the opening edge of fronts. They close softly and effortlessly with an energetic push thanks to integrated BLUMOTION.

Marketing

You will find professional photos, videos, brochures and presentations on MERIVOBX in the Marketing Media Library. Get some fresh inspiration and use our marketing material to persuade your customers in sales conversations.

Concept, planning, quotation

Plan, configure and save your MERIVOBX projects online with ease – with our free Product and Cabinet Configurator. This enables you to obtain checked and complete parts lists for your customer quotes.

Design

The Cabinet Configurator helps you to design cabinets and displays them in 3D. You can find the corresponding MERIVOBX options using the integrated Product Configurator. Our CAD/CAM Data Service provides you with data in the most common formats for your design software.

Ordering

Simply transfer your parts lists from the Cabinet and Product Configurator directly to your distributor's online shop. In order to speed up your MERIVOBX configurations, you can manage your different projects and templates with ease under "My projects" and "My library".

Supporting you every step of the way

We at Blum will support you along the entire process chain – from marketing, planning and product selection right through to after sales service. Take advantage of our user-friendly services for your projects with MERIVOBX.

Manufacturing

Use our configurators and appropriate assembly devices to accelerate your production process. Simply use BXF files and EASYSTICK to transfer your planning results to MINIPRESS.

Assembly

Precise installation and adjustment are important to you. Our EASY ASSEMBLY app for smartphones and tablets answers any questions you may have about the assembly and adjustment of our fittings. It contains installation instructions and videos for all our products.

After sales service

We are delighted to provide you with continued support after you purchase MERIVOBX. Your personal contact at Blum will be happy to answer any questions you might have about our products and services.



From ideas to results, step by step



BOXFIX E-M



Marking template for MERIVOBX

Templates and jigs

Tried and tested in everyday situations, our templates facilitate the assembly of MERIVOBX. They are a perfect combination of high precision and practical value which is greatly appreciated both in workshops and directly on site.

MINIPRESS p combined with EASYSTICK is your ultimate manufacturing package for all drilling operations on cabinets and fronts. Combined with EASYSTICK, precise drilling positions are calculated for you, and the ruler and vertical drilling unit automatically move to the right position. The Blum Cabinet Configurator makes it easy to plan the MERIVOBX box system. Transfer your planning data to EASYSTICK using a USB stick. EASYSTICK then moves into the exact positions and displays the drillings step by step. Every drilling operation is precise, ensuring that fittings can be inserted with ease.





moving ideas

We believe that ideas can move the world. We offer innovative fittings, inspiring furniture concepts and appropriate services so that you can turn your creative ideas into reality. We are driven by your needs, international trends and our shared vision of a better quality of living. Let us work together to create moving ideas.



Quality of living

We would like you to enjoy greater convenience and functionality when using furniture.



Product range

Everything from a single source: our wide range of products allows you to keep up with today's and tomorrow's trends.



Inspiration

We monitor global trends and strive to create the solutions of tomorrow. We like to share our insights with you.



Innovation

We stay in motion. Curiosity and pioneering spirit drive us to develop new products and services for you.



Services

We support your daily operations with customised services tailored to your processes.



Quality

We continuously strive to improve our products, services and ourselves.



Trust

We take responsibility for partnerships, our employees, society and the environment.

Julius Blum started our journey in 1952 with horseshoe studs. Today we supply innovative fittings to customers in over 120 countries.

Blum Canada Ltd.
6775 Maritz Drive
Mississauga, ON, L5W 0H5
Tel.: 905-670-7920
Long Dist.: 1-800-670-9254
E-Mail: info.ca@blum.com

Julius Blum GmbH
Furniture Fittings Mfg.
6973 Höchst, Austria
Tel.: +43 5578 705-0
Fax: +43 5578 705-44
E-mail: info@blum.com
www.blum.com

Our sites in Austria, Poland and China are certified to the international standards mentioned below.
Our site in the USA is certified to ISO 9001.
Our site in Brazil is certified to ISO 9001, ISO 14001 and ISO 45001.



ISO 9001
Certified Quality
System



ISO 14001
Certified Environmental
System



ISO 50001
Certified Energy
System

 **blum**®



Look for our
FSC®-certified
products

All content is copyrighted by Blum.
Subject to technical modifications and changes to the range without notice.
IDNR: 227.511.3 · EP-578/1 EN-CA/06.22