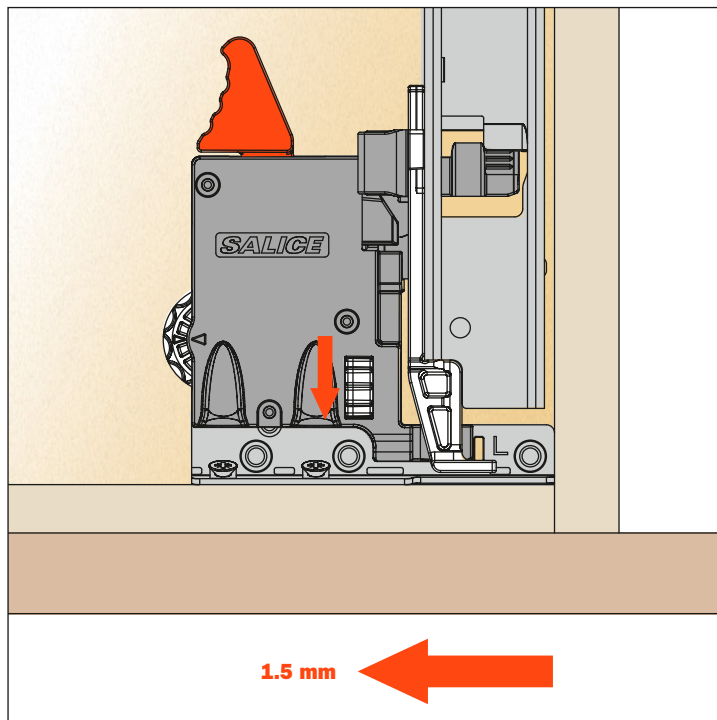
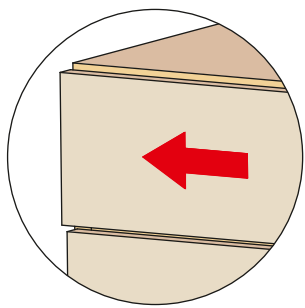
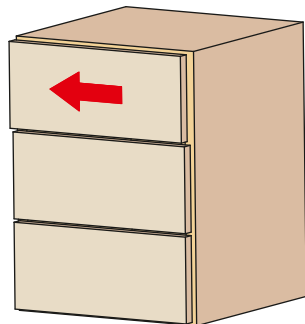


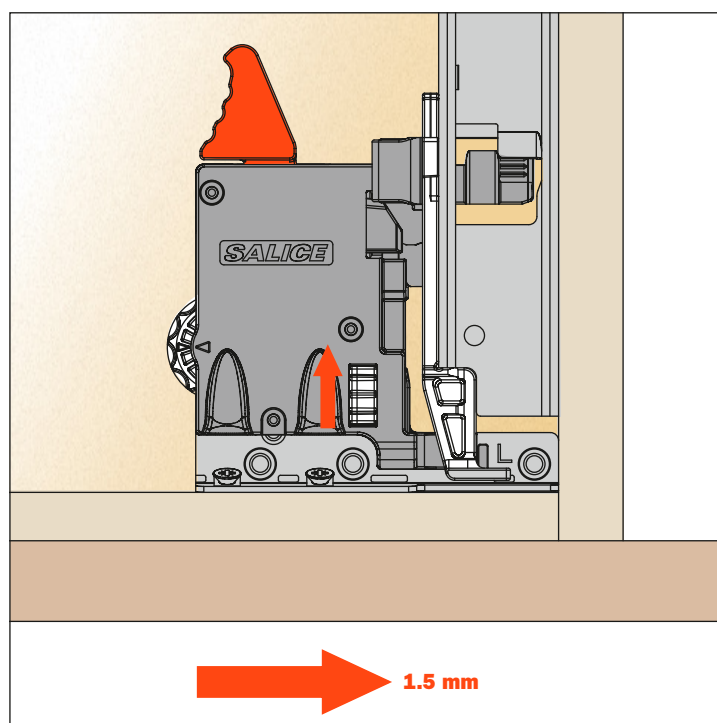
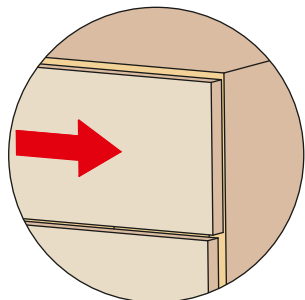
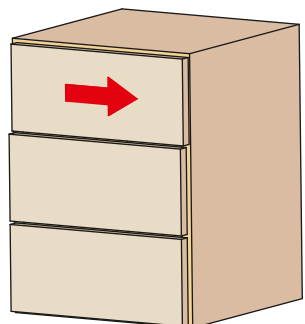
Side adjustment +/- 1.5 mm

For all Progressa, Progressa+ and Progressa+ Shelf slides

Rotate the white wheel (see drawing) towards the front of the drawer to adjust left.
This operation is tool free.



Rotate the white wheel (see drawing) towards the back of the drawer to adjust right.
This operation is tool free.

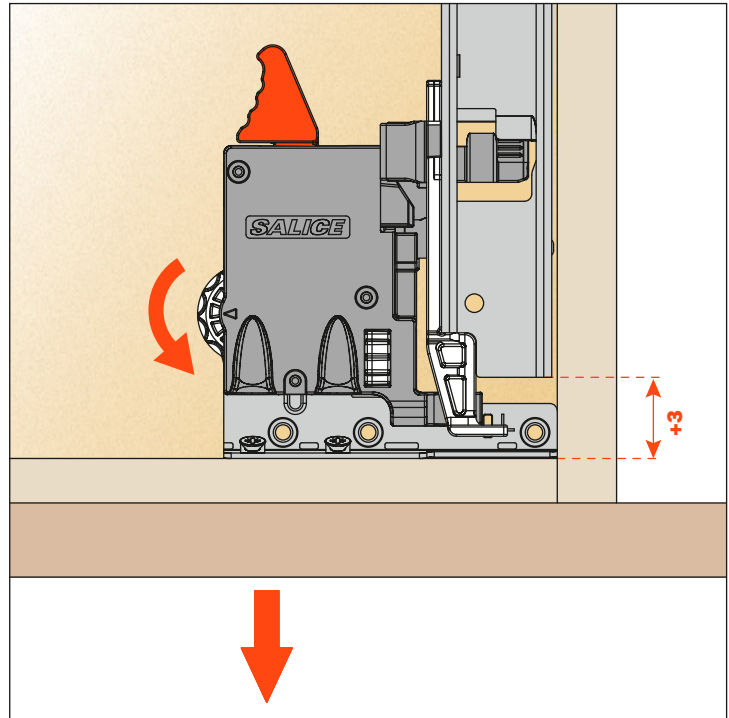
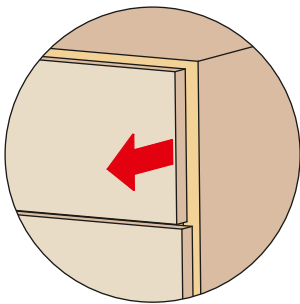
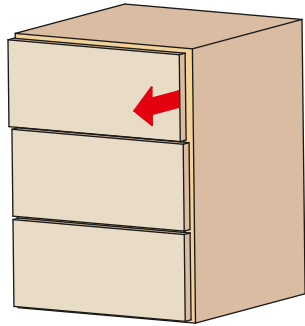


For side adjustment, it is recommended that both the adjusters on the clips are in the same direction, in order to maintain the correct alignment and function of the runners.

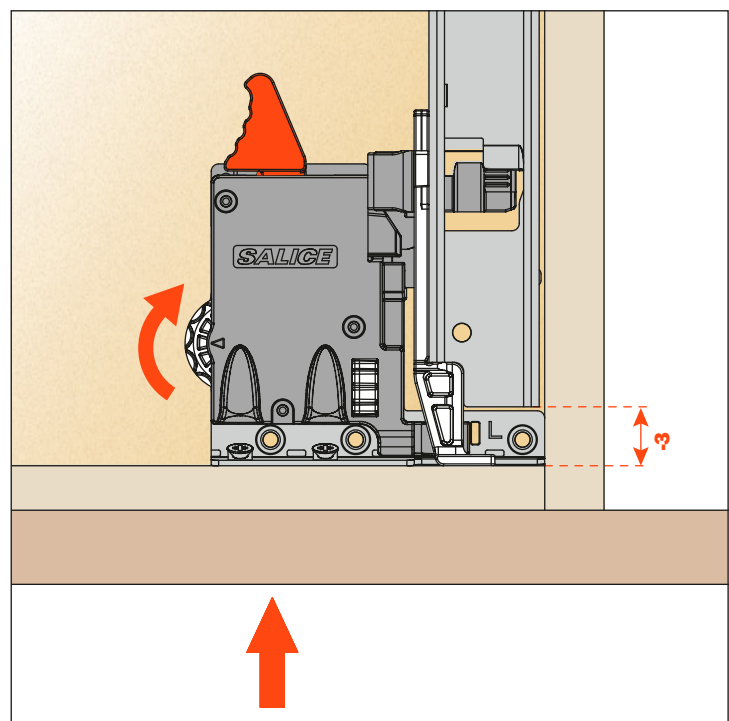
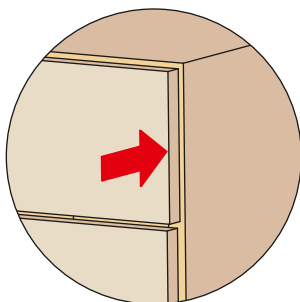
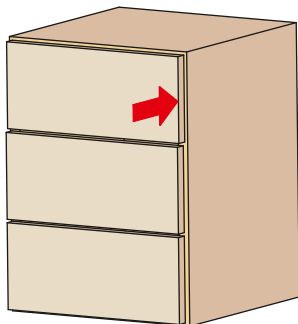
Depth adjustment +/- 3 mm

For all Progressa, Progressa+ and Progressa+ Shelf slides

Rotate the white wheel (see drawing) towards the outside of the drawer to increase the gap between the front and the side. This operation is tool free.



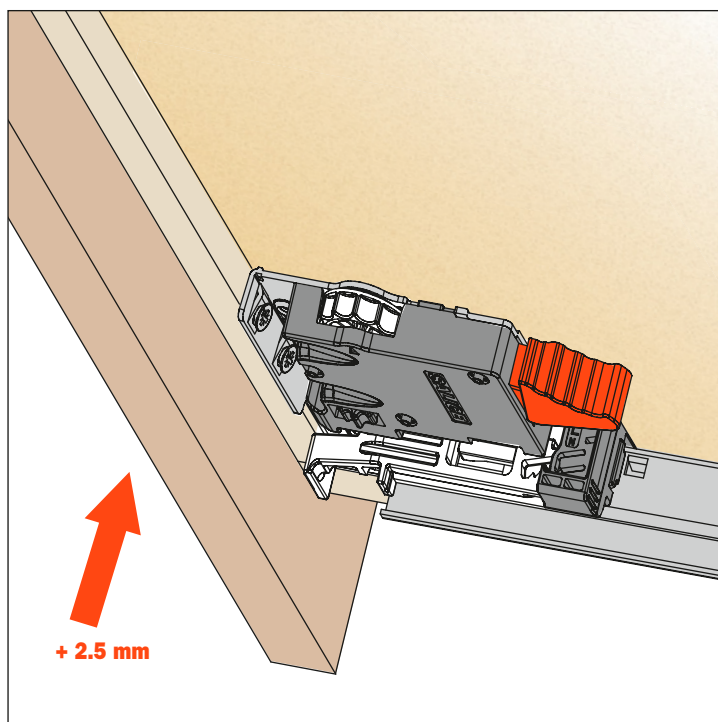
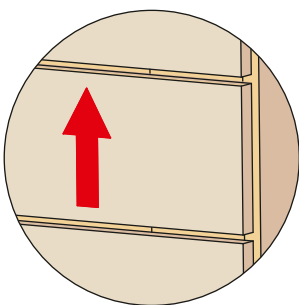
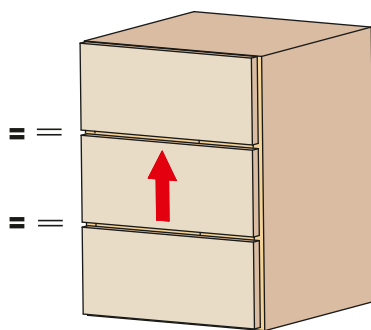
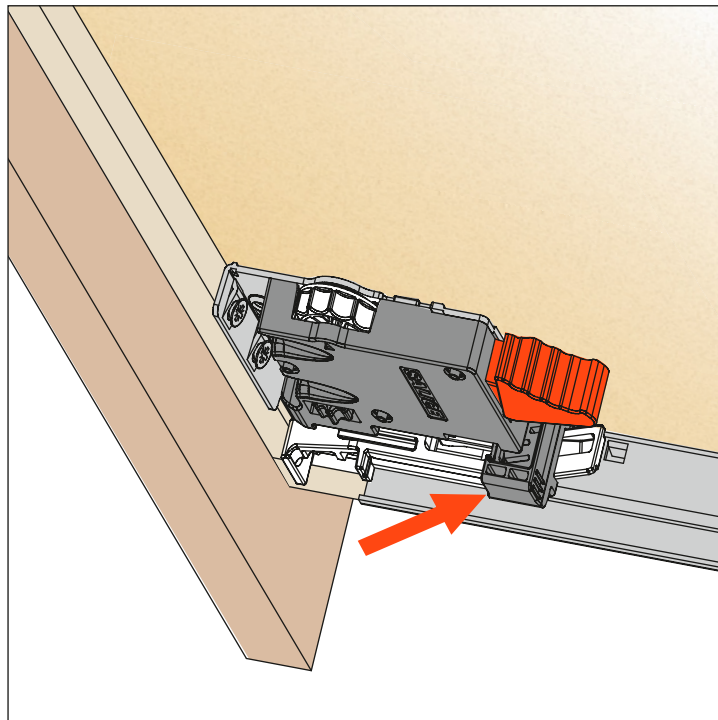
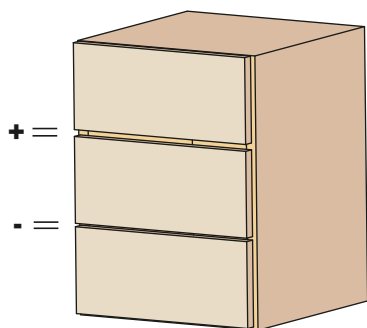
Rotate the white wheel (see drawing) towards the inside of the drawer to reduce the gap between the front and the side. This operation is tool free.



Progressa - Height adjustment + 2.5 mm

For all Progressa, Progressa+ and Progressa+ Shelf slides

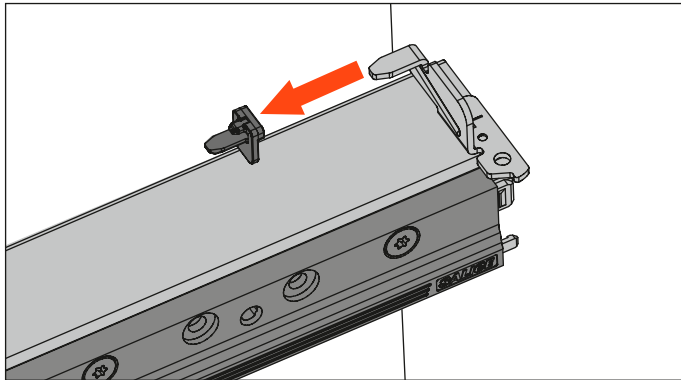
Press the lever towards the back of the drawer to achieve the height adjustment.
This operation is tool free.



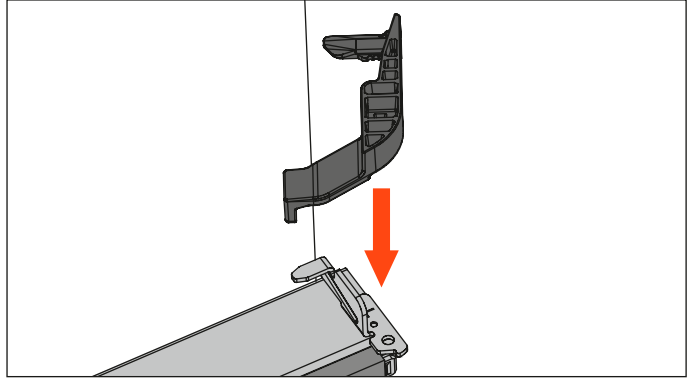
Assembly of tilt adjustment levers (optional)

For all Progressa and Progressa+ slides

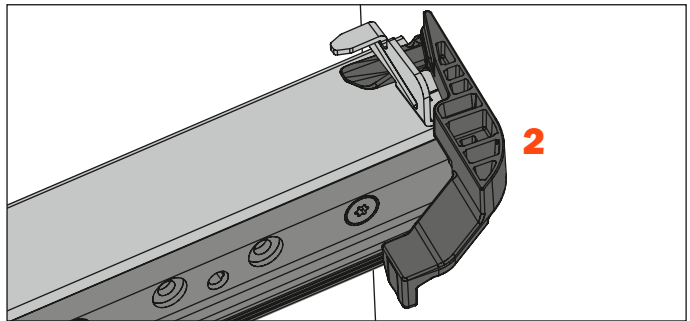
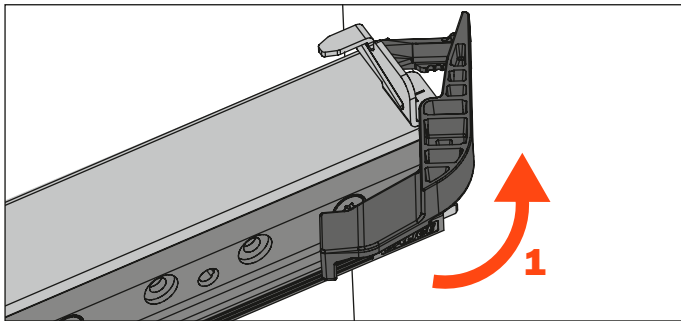
Pull out the drawer and remove the plastic insert, both right and left.



Insert the tilt adjustment levers, both right and left.

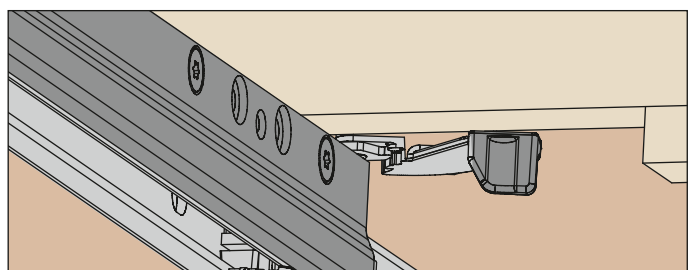
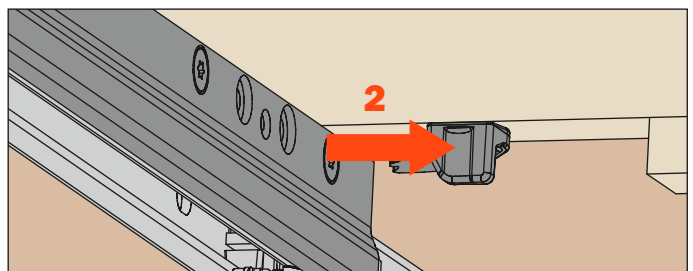
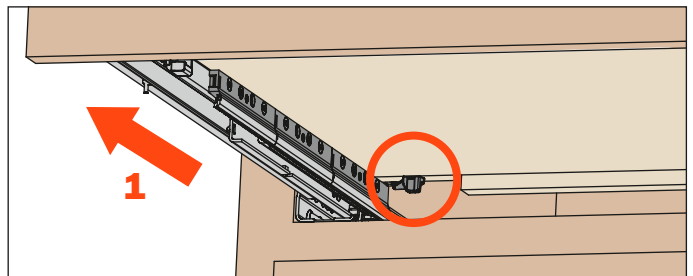
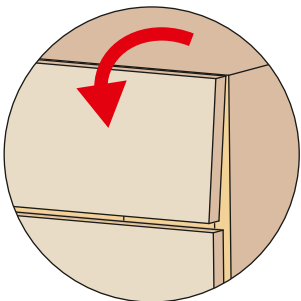
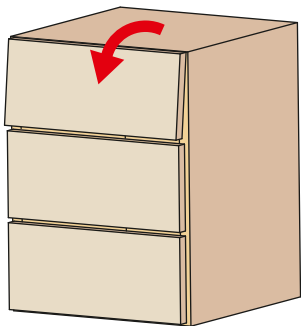


Rotate the lever to adjust.



Tilt adjustment + 3 mm

Open the drawer (1) and press the lever towards the back of the cabinet (2) to achieve the adjustment.
Maximum 3 mm (1/8") rise of drawer back (tool free).



Drawer back preparation, see page 11.
AGLRXX3F tilt adjustment lever, see page 68.