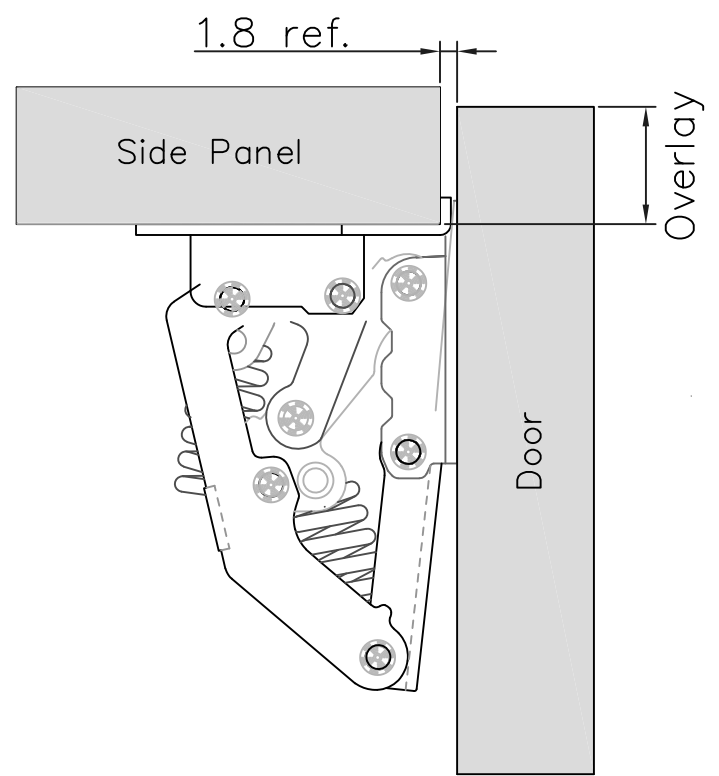
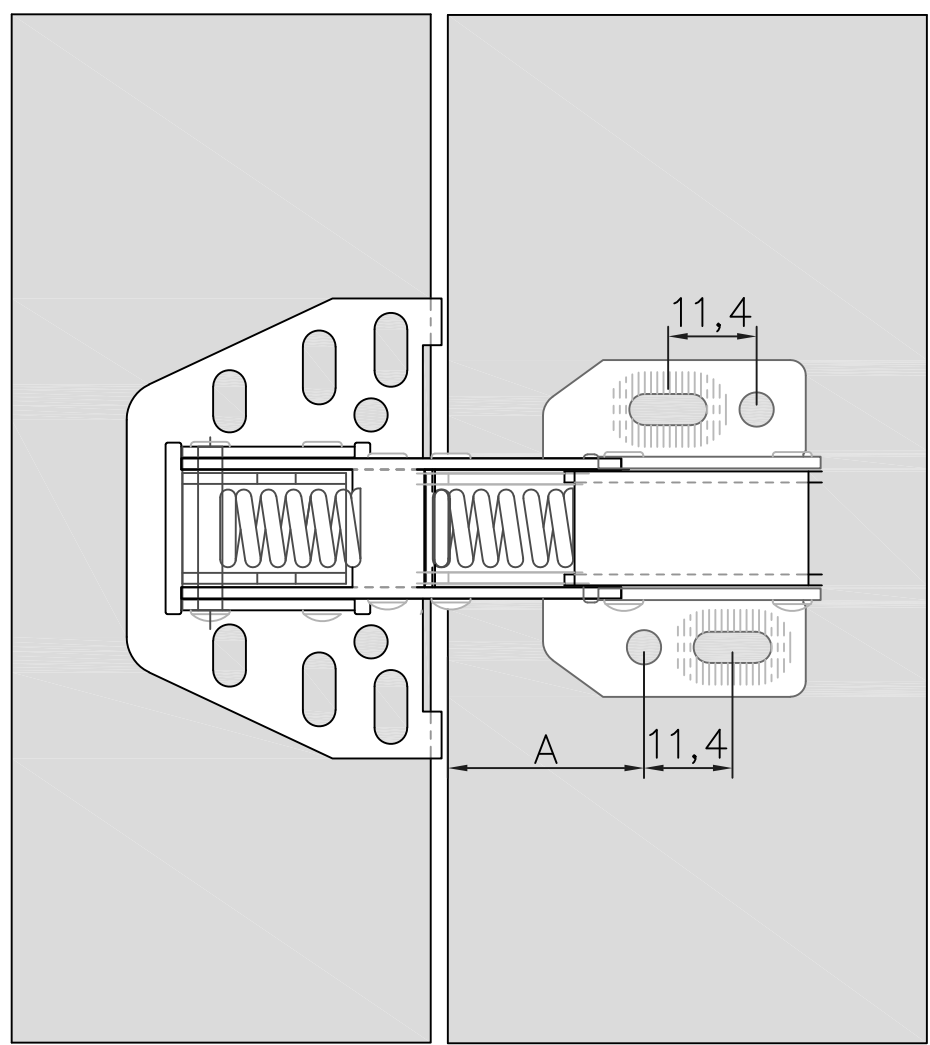


REVISIONS	
DATE	DESCRIPTION
2022.06.04	Initial release
2022.06.21	overlay formula



$Overlay = A - 10.5$
 (Trial installation is suggested for precise overlay.)

	Max.	Min.
Setback (A)	26	13
Overlay	15.5	2.5

DIMENSIONS ARE IN mm
TOLERANCES
 +/- 0.3 unless otherwise stated
 MATERIAL:
 FINISH: Nickel
 WEIGHT (GR):

RICHELIEU HARDWARE
 #SM9012G Easy-on Surface Mount Hinge RV
 #SM901SC2G Easy-on Surf. Mnt. Hinge Soft RV

SIZE	DWG. NO.
A	
DATE	REV.
	SHEET 2 OF 2