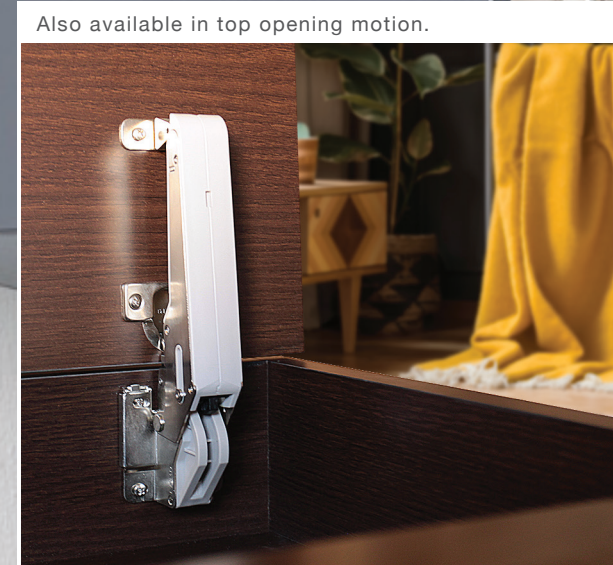


Top-Shelf Hardware



Also available in top opening motion.



Easy Installation, simply place the cup hinge and then screw-on the Aileron Lid-stay, that simple.

THE AILERON SYSTEM

When it comes to sophistication, less is more and when coupled with beautiful functionality, less is definitely *most*. We introduce to you the elegant **Aileron System** by Sugatsune, free-stop, soft down stay and lift assist with minimum required hardware components.

The **Aileron System** creates a continuous door movements with adjustable closing speed and free-stop functions.

Visit **our website** for more information about this and other innovative products.



LIFT-ASSIST LID STAY with soft close (top opening)



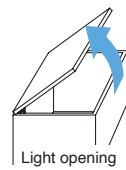
ARN-2

- Smooth door movement. It is specially designed for use with the OLYMPIA concealed hinge (360-D26-19).
- The lift-assist function allows for light opening of doors.
- Board thickness Min:9/16" (15mm) ~ Max:7/8" (22mm)
- The free-stop function enables doors to hold in position (30°-Max.).
- The soft-close function makes doors close gently (0°-30° degrees).
- Integrated design combines a concealed hinge and lid stay.
- Closing speed of doors is adjustable.



Lift-assist

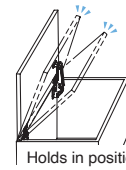
Allows for light opening of doors



Light opening

Free stop

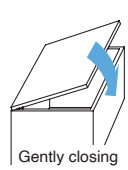
Enables doors to hold in position (30°-Max.).



Holds in position

Soft close

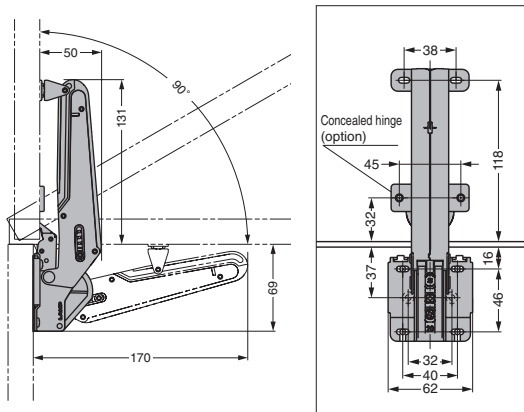
Built-in damper makes doors close slowly.



Gently closing

Components for a single door

	Aileron	1
	Mounting plate for Aileron	1
	Olympia Concealed Hinge	2
	Mounting plate for Olympia	1
	Screws	16
Olympia 8	Aileron 6	Aileron 2



THE OLYMPIA HINGE
With 5-level damper function, part of the Aileron soft-opening system.



5-speed adjustable soft close.
The first Sugatsune concealed hinge ever built with Lapcon technology.



Item No.	Torque (kg·cm)	Board Thickness (mm)	Weight (g)	Box (pcs)	Carton (pcs)
ARN-2-M-S	40.8~61.2 (35.4~53.1 lbs-in)	Min:15mm (9/16")	703	1	10
ARN-2-H-S	61.2~81.6 (53.1~70.8 lbs-in)	Max: 22mm (7/8")			

Material	Finish/Color
Steel, Zinc Alloy	Nickel
Plastic	Grey

LIFT-ASSIST LID STAY with soft close (upward opening)



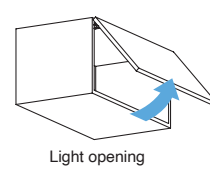
ARN-3

- Smooth door movement. It is specially designed for use with the OLYMPIA concealed hinge (360-D26-19).
- The lift-assist function allows for light opening of doors.
- Board thickness Min:9/16" (15mm) ~ Max:7/8" (22mm)
- The free-stop function enables doors to hold in position (30°-Max.).
- The soft-close function makes doors close gently (0°-30° degrees).
- Integrated design combines a concealed hinge and lid stay.
- Closing speed of doors is adjustable.



Lift-assist

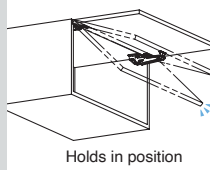
Allows for light opening of doors



Light opening

Free stop

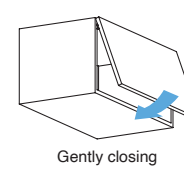
Enables doors to hold in position (30°-Max.).



Holds in position

Soft close

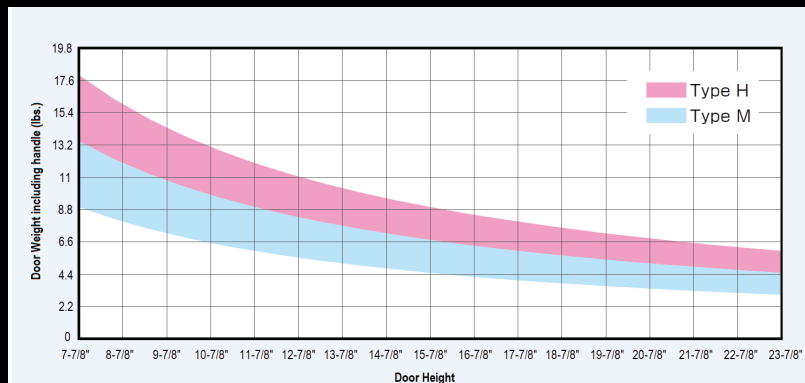
Built-in damper makes doors close slowly.



Gently closing

Components for a single door

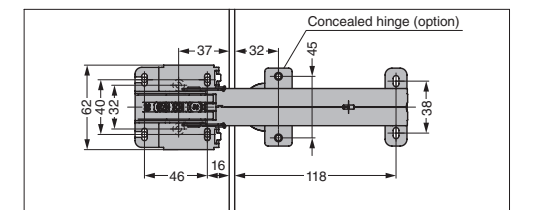
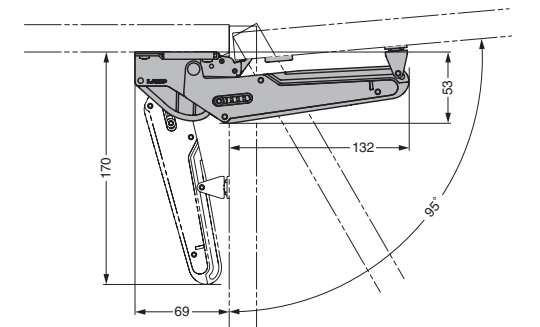
	Aileron	1
	Mounting plate for Aileron	1
	Olympia Concealed Hinge	2
	Mounting plate for Olympia	1
	Screws	16
Olympia 8	Aileron 6	Aileron 2



Refer to the graph above as a guide for model selection. For use with doors outside of the scope of this graph, use the calculation below. Door weight must include all attached accessories.

Torque (lbs · inch) =
Door height (inches) × 0.5 × weight (lbs).

Torque Range (lbs-in)	Type	Number of AILERON
35.4~53.1	M	1 pc
53.1~70.8	H	



Item No.	Torque (kg·cm)	Board Thickness (mm)	Weight (g)	Box (pcs)	Carton (pcs)
ARN-3-M-S	40.8~61.2 (35.4~53.1 lbs-in)	Min:15mm (9/16")	703	1	10
ARN-3-H-S	61.2~81.6 (53.1~70.8 lbs-in)	Max: 22mm (7/8")			

Material	Finish/Color
Steel, Zinc Alloy	Nickel
Plastic	Grey