

PDC

CLAMP MOUNTING

PDC

Mounting: Edge Mount

- 2 electrical ports, 2 opens.
- Structure material: Plastic.
- Requires surface drilling.
- Different technologies that you can incorporate in the open ports (sold separately)
- Adapter kit included.
- Fast installation

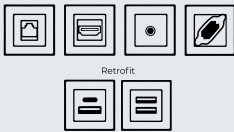


Art. No.	Width (Cut out)	Length (Cut out)	Table Thickness	Cable Length
PDC14532P2O030	7 5/6"	2 1/4"	1 1/4" - 1 3/4"	72"
PDC14532P2O172	7 5/6"	2 1/4"	1 1/4" - 1 3/4"	72"
PDC14532P2O90	7 5/6"	2 1/4"	1 1/4" - 1 3/4"	72"
PDC14532P2O900	7 5/6"	2 1/4"	1 1/4" - 1 3/4"	72"

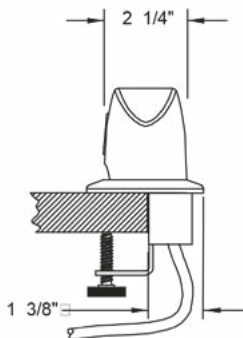
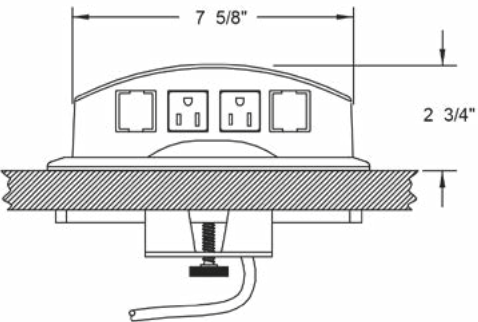
Colors



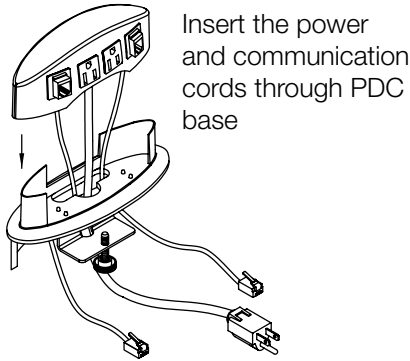
Technologies



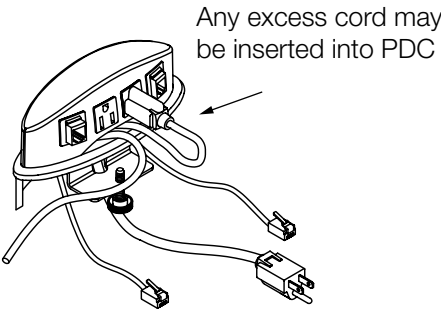
Measures



Installation Layout



Slide the PDC onto work surface



Tighten the knob until PDC is secure

