



Concealed
Hinge
with Adjustable
Soft-Close

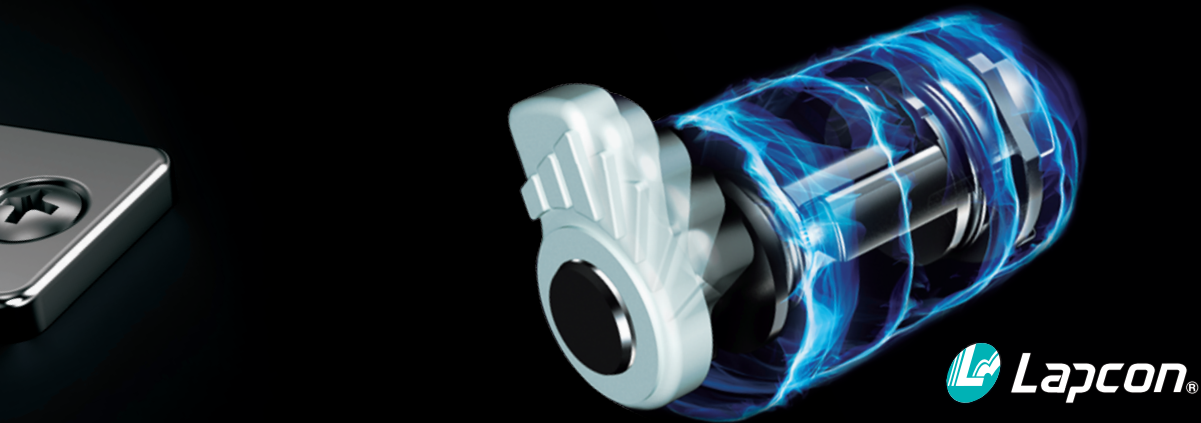
A NEW STEP FOR HINGE TECHNOLOGY

OLYMPIA

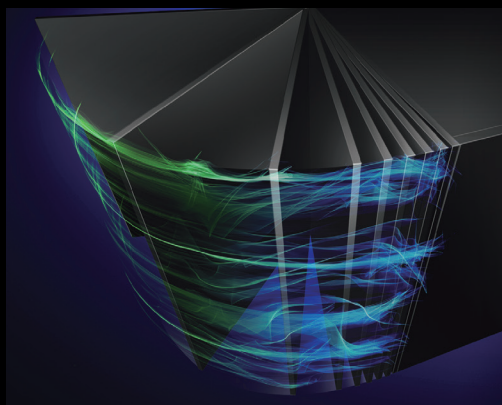
360 POWERED BY  Lapcon.

concept
01





5-speed adjustable soft close.
The first Sugatsune concealed hinge ever
built with Lapcon technology.



The first time Sugatsune's unique Lapcon technology has ever been used inside a concealed hinge. The innovative rotary damper is not only extremely compact, for sleek overall design, its force can also be adjusted in 5 steps for a perfect match regardless of the door size or weight.

■ ■
concept
02
■ ■

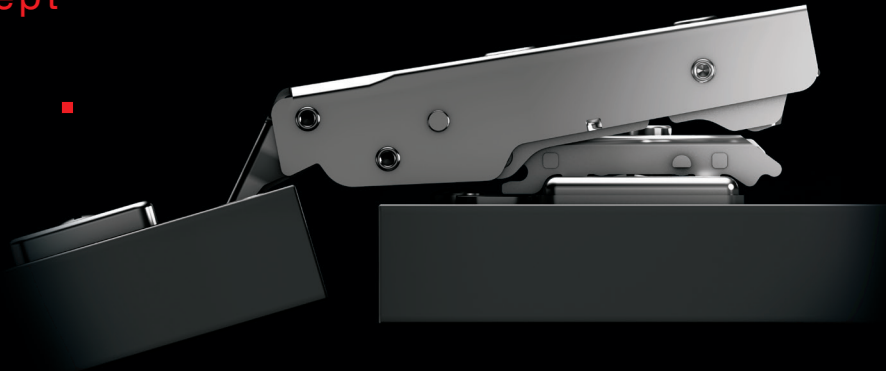
Successfully passed 200,000 cycles test.

For a piece of furniture to last a lifetime,
the hinge must perform flawlessly the
whole time.

Despite official requirements by JIS
(Japanese Standards) asking for only
40,000 cycles, the Olympia hinge has
cleared 5 times as many to ensure that
you will always be able to open and
close your doors without worry.
(The H360 successfully passed
100,000 private cycle test)



concept
03

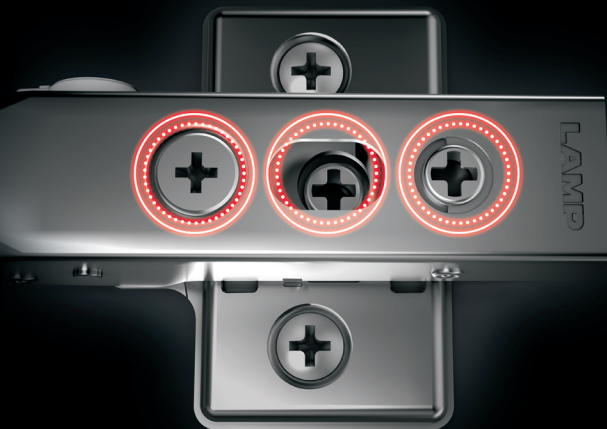


Smooth assembly for a
time-saving installation.

Using an original design of the Turn-Lock system, Olympia can be installed by simply pushing it from the top. This simplifies the installation compared to a traditional Front-First installation, especially in cases where multiple hinges are used.

One screwdriver for a one-handed
3D adjustment.

concept
04



Depth, vertical, horizontal adjustment screws are all located on top. This was made possible because of our original damper.

For standard doors (360)

Depth adjustment: +1.5mm, -2.5mm
Vertical adjustment: ± 2.5 mm
Overlay (Horizontal) adjustment: +0, -4mm

For thick doors (H360)

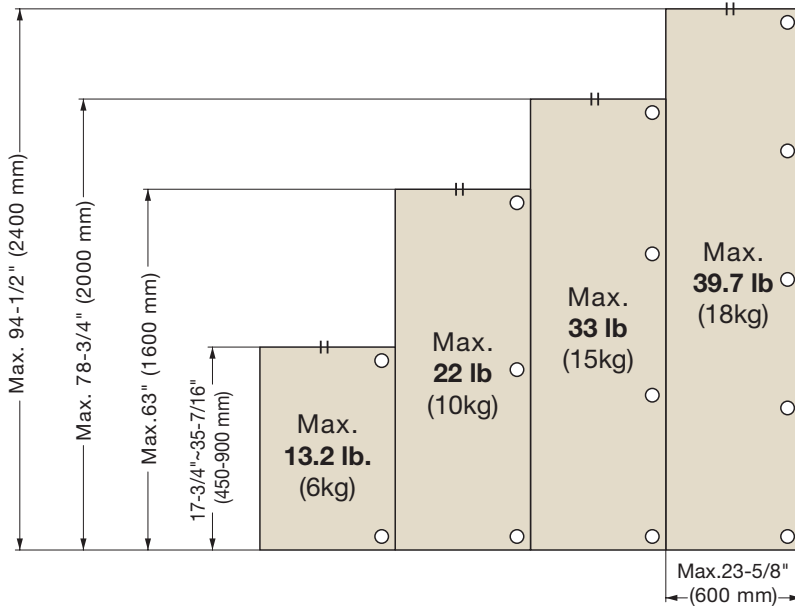
Depth adjustment: +1.7mm, -2.8mm
Vertical adjustment: ± 2.5 mm
Overlay (Horizontal) adjustment: +0, -4mm

HINGE QUANTITY (Recommended)

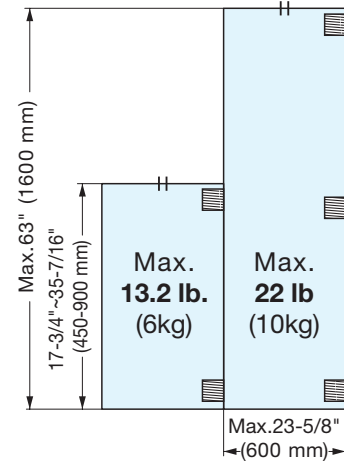
360 Olympia Hinge



Standard wood doors 360



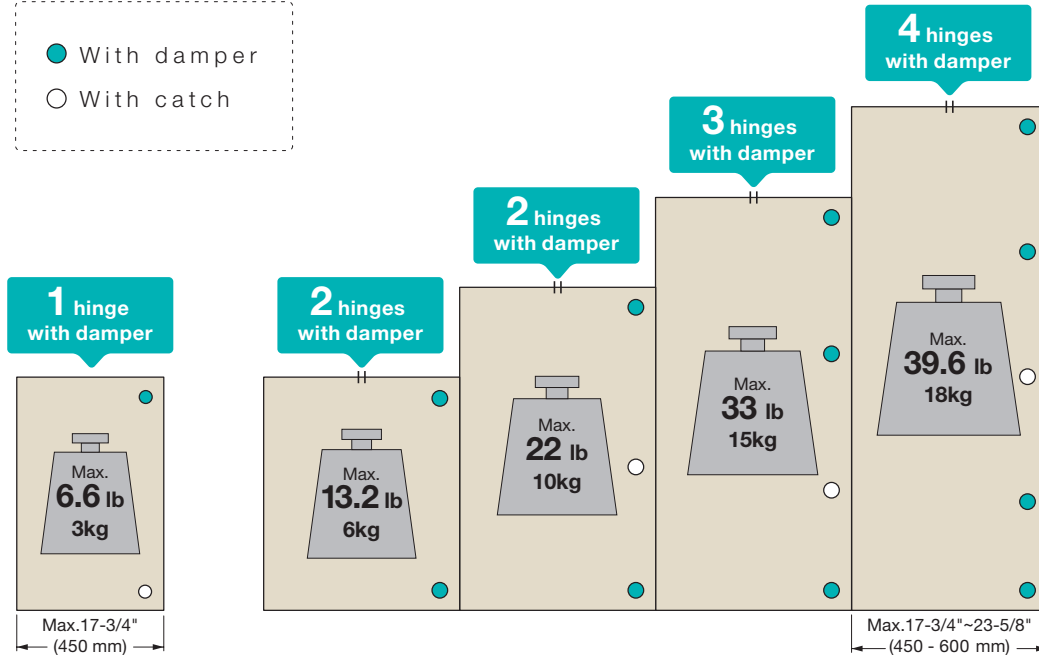
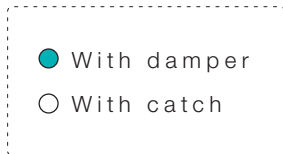
Glass doors 360 and GH-360FP



Door width	Door thickness	Material density	Installation pitch
Max. 23-5/8" (600 mm)	Max. 13/16" (20 mm)	Max. 0.6 mm	Min. 11 13/16" 300 mm

Glass thickness	Installation pitch
3/16~1/4" (4-6 mm)	Min. 11 13/16" (300 mm)

RECOMMENDED TYPE OF DAMPER PER INSTALLATION

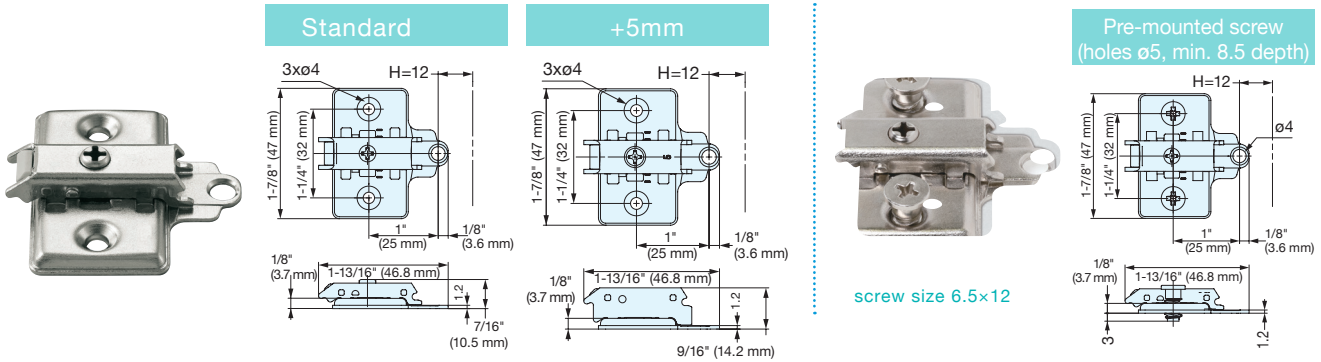


• Please set the door center of gravity as the door center. • If you want to increase the door width, please increase the number of hinges accordingly. • Attach the upper and lower hinges within 100 mm from the edge of the door. When using three or more, install at regular intervals. • Figures shown in the tables above are only indicative. Please always test before finalizing your design. • Please contact us for any other configuration. • The dimensions of the door and the number of hinges mounted are the results of tests made according to the JIS standard. • All screw holes should be used.

MOUNTING PLATES



360-P4W-32T

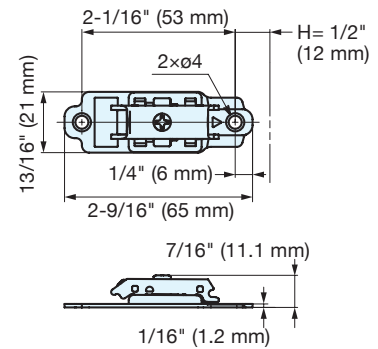


- Value of H for inset installation is "door thickness + 17 mm".
- When using with the GH-360FP, value of H is "door thickness + 19 mm"

Item name	Type	Height Adjust	Material	Finish	Carton
360-P4W-32T	Standard	±2.5mm	Steel	Nickel	400pcs
360-P4W-32T+5	+5mm				
360-P4W-32T-DS	Pre-mounted screw				

MOUNTING PLATE (STRAIGHT TYPE)

360-P3W-53T



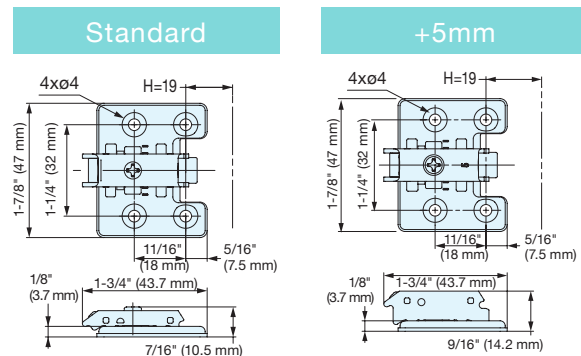
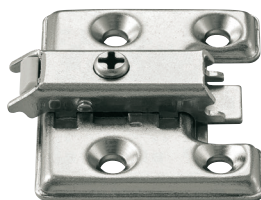
- The slim design gives a sleek look.
- When used with two H360 hinges, door specs should be:
 Door width Max 17-3/4" 450 mm
 Door weight Max 15.4 lb (7 kg)

Item No.	Material	Finish	Weight (g)
360-P3W-53T	Steel	Nickel Plating	20

MOUNTING PLATES 4 HOLES



360-P6WT



- For the standard and +5mm types:
- Value of H for inset installation is "door thickness + 24 mm".
 - When using with the GH-360FP, value of H is "door thickness + 26 mm"
- For the +7.5mm type:
- Value of H for inset installation is "door thickness + 16.5 mm".
 - When using with the GH-360FP, value of H is "door thickness + 18.5 mm".

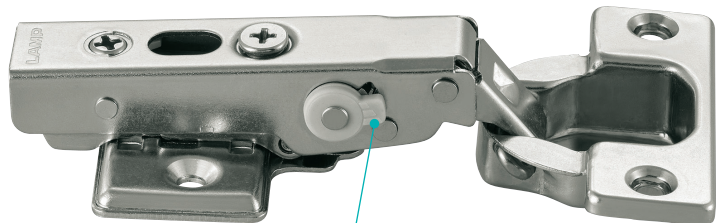
Item name	Type	Height Adjust	Material	Finish	Carton
360-P6WT	Standard	±2.5mm	Steel	Nickel	400pcs
360-P6WT+5	+5mm				

CONCEALED HINGE WITH ADJUSTABLE SOFT-CLOSE

360-26/C26/D26-19T/19T85

HINGES

(19 mm overlay)



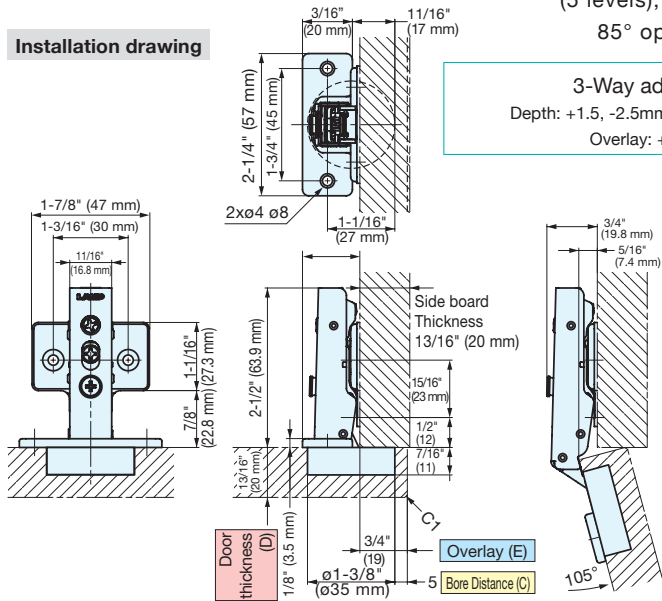
5-speed damper power adjustment lever

With damper function (5 levels), 105° and 85° opening

- Featuring 5-speed adjustable damper.
- Load capacity: 6 kg (13.2 lbs)/2 pcs, 10 kg (22 lbs)/3 pcs.
- Maximum door width: 600 mm (23-5/8").
- Maximum door thickness: 20mm (13/16")
- Clip on type for easy installation.
- 3-way adjustment with door installed.
- Mounting plate sold separately.
- Successfully passed 200,000 cycles test.

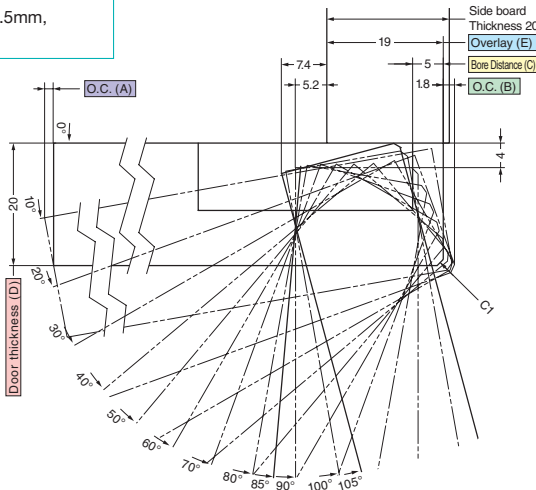


Installation drawing



3-Way adjustment
Depth: +1.5, -2.5mm, Vertical: ±2.5mm, Overlay: +0, -4mm

Locus chart S=1/1



Drawings show a hinge, face plate and 360-P4W-30T mounting plate (sold separately).

Opening Clearance (O.C.)

Clearances for door edge O.C. (A) and hinge side O.C. (B) are necessary. O.C. (A) and (B) change depending on door thickness and bore distance (C). Refer to locus chart and tables below when designing cabinets.

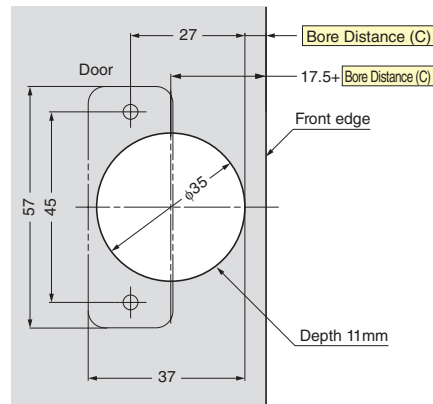
Opening clearance (B), door thickness (D) and bore distance (C) relationship

Door Thickness (D)	Bore Distance (C)		
	3	4	5
15	0.6	0.6	0.5
16	0.8	0.8	0.7
17	1.0	1.0	1.0
18	1.3	1.3	1.2
19	1.6	1.6	1.5
20	2	1.9	1.8
21*	2.4	2.3	2.2
22*	2.8	2.7	2.6
O.C. (B)			

* The table above shows O.C. (B) for C1 chamfering (chamfer plane).

* Please refer to the locus chart if door thickness is over 20mm. O.C. (B) can be made smaller by R chamfering (round chamfer) and C chamfering (chamfer plane) on the door.

Cut out dimensions (wooden doors)



CONCEALED HINGE WITH ADJUSTABLE SOFT-CLOSE (19 MM OVERLAY)

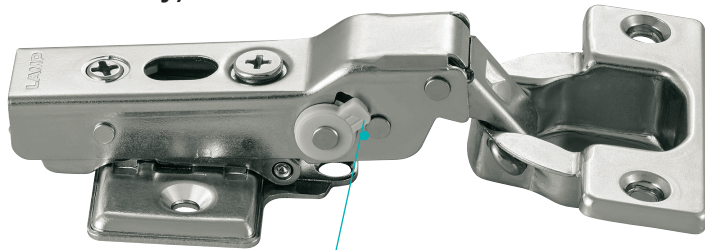
Item name	Opening angle	Type	Material	Finish	Carton
360-D26-19T	105°	Soft close (5 levels)	Steel	Nickel	100pcs
360-26-19T		Free swinging			
360-C26-19T		Self-closing			200pcs
360-U26-19T		Self-opening			
360-D26-19T85	85°	Soft close (5 levels)			100pcs
360-26-19T85		Free swinging			200pcs
360-C26-19T85		Self-closing			

CONCEALED HINGE WITH ADJUSTABLE SOFT-CLOSE



360-26/C26/D26/U26-14T/14T85

(14 mm overlay)



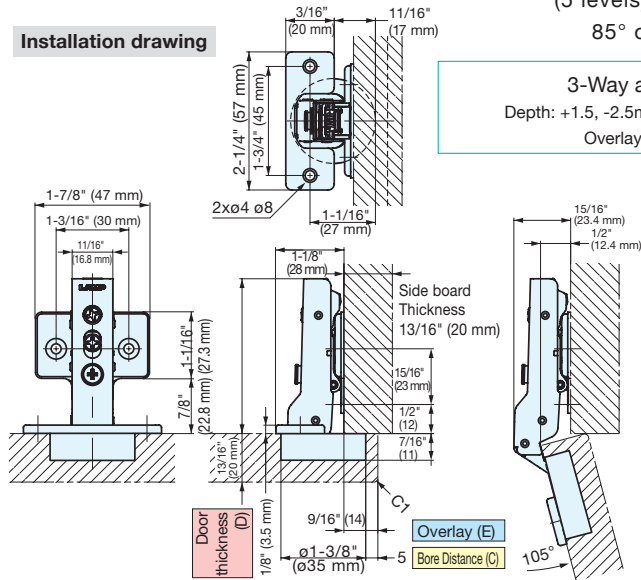
5-speed damper power adjustment lever

- Featuring 5-speed adjustable damper.
- Load capacity: 6 kg (13.2 lbs)/2 pcs, 10 kg (22 lbs)/3 pcs.
- Maximum door width: 600 mm (23-5/8").
- Maximum door thickness: 20mm (13/16")
- Clip on type for easy installation.
- 3-way adjustment with door installed.
- Mounting plate sold separately.
- Successfully passed 200,000 cycles test.

With damper function (5 levels), 105° and 85° opening

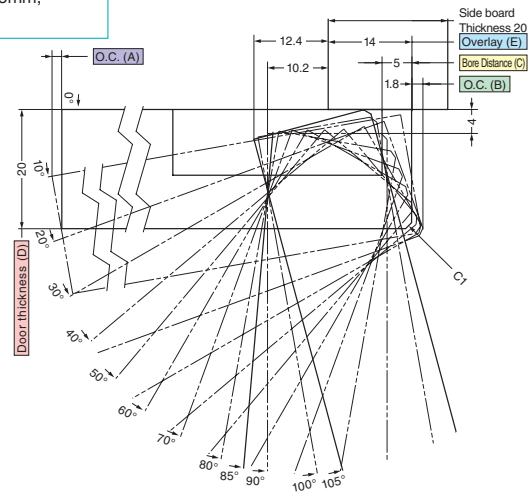


Installation drawing



3-Way adjustment
Depth: +1.5, -2.5mm, Vertical: ±2.5mm, Overlay: +0, -4mm

Locus chart S=1/1



Drawings show a hinge, face plate and 360-P4W-30T mounting plate (sold separately).

Opening Clearance (O.C.)

Clearances for door edge O.C. (A) and hinge side O.C. (B) are necessary. O.C. (A) and (B) change depending on door thickness and bore distance (C). Refer to locus chart and tables below when designing cabinets.

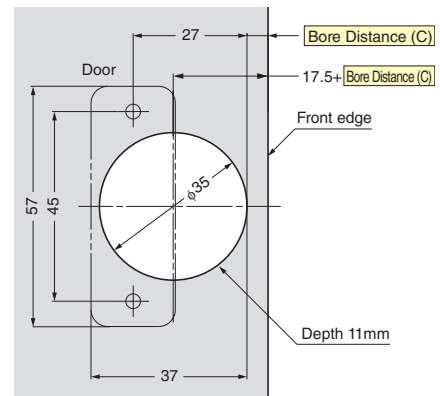
Opening clearance (B), door thickness (D) and bore distance (C) relationship

Door Thickness (D)	Bore Distance (C)		
	3	4	5
15	0.6	0.6	0.5
16	0.8	0.8	0.7
17	1.0	1.0	1.0
18	1.3	1.3	1.2
19	1.6	1.6	1.5
20	2	1.9	1.8
21*	2.4	2.3	2.2
22*	2.8	2.7	2.6
O.C. (B)			

* The table above shows O.C. (B) for C1 chamfering (chamfer plane).

* Please refer to the locus chart if door thickness is over 20mm. O.C. (B) can be made smaller by R chamfering (round chamfer) and C chamfering (chamfer plane) on the door.

Cut out dimensions (wooden doors)



Item name	Opening angle	Type	Material	Finish	Carton	
360-D26-14T	105°	Soft close (5 levels)	Steel	Nickel	100pcs	
360-26-14T		Free swinging				
360-C26-14T		Self-closing				
360-U26-14T	Self-opening	200pcs				
360-D26-14T85	85°				Soft close (5 levels)	100pcs
360-26-14T85					Free swinging	200pcs
360-C26-14T85		Self-closing				

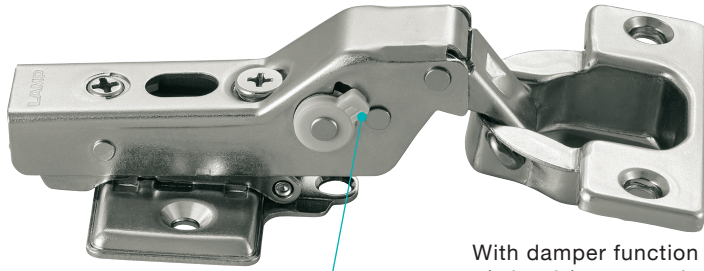


CONCEALED HINGE WITH ADJUSTABLE SOFT-CLOSE

360-26/C26/D26/U26-9T/9T85

HINGES

(9 mm overlay)



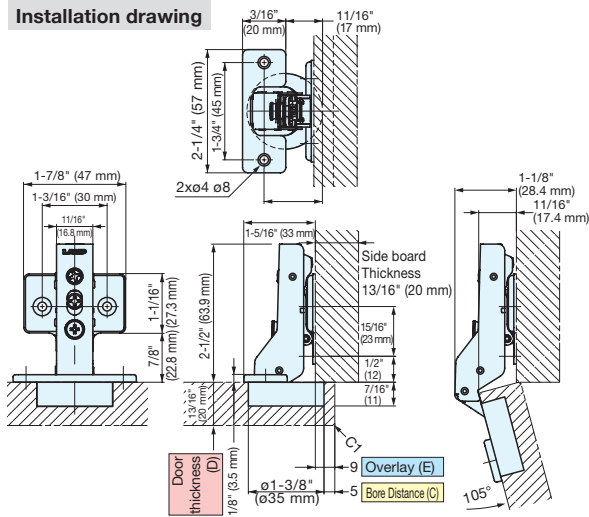
5-speed damper power adjustment lever

With damper function (5 levels), 105° and 85° opening

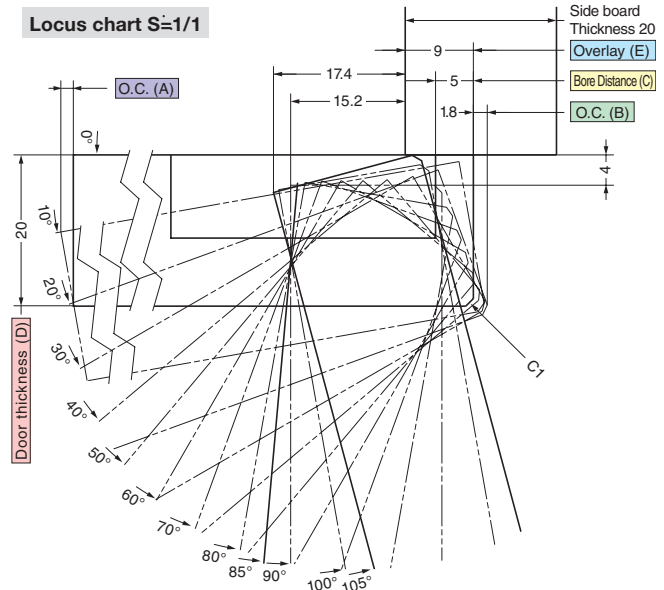
- Featuring 5-speed adjustable damper.
- Load capacity: 6 kg (13.2 lbs)/2 pcs, 10 kg (22 lbs)/3 pcs.
- Maximum door width: 600 mm (23-5/8").
- Maximum door thickness: 20mm (13/16")
- Clip on type for easy installation.
- 3-way adjustment with door installed.
- Mounting plate sold separately.
- Successfully passed 200,000 cycles test.



Installation drawing



Locus chart S=1/1



Drawings show a hinge, face plate and 360-P4W-30T mounting plate (sold separately).

Opening Clearance (O.C.)

Clearances for door edge O.C. (A) and hinge side O.C. (B) are necessary. O.C. (A) and (B) change depending on door thickness and bore distance (C). Refer to locus chart and tables below when designing cabinets.

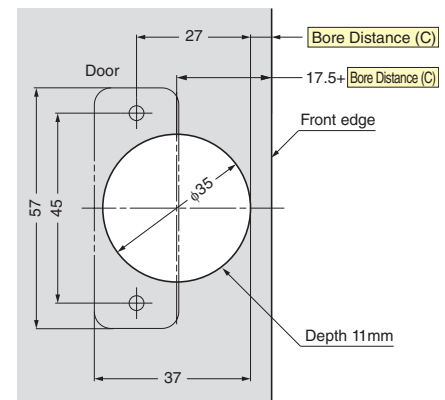
Opening clearance (B), door thickness (D) and bore distance (C) relationship

Door Thickness (D)	Bore Distance (C)		
	3	4	5
15	0.6	0.6	0.5
16	0.8	0.8	0.7
17	1.0	1.0	1.0
18	1.3	1.3	1.2
19	1.6	1.6	1.5
20	2	1.9	1.8
21*	2.4	2.3	2.2
22*	2.8	2.7	2.6
O.C. (B)			

* The table above shows O.C. (B) for C1 chamfering (chamfer plane).

* Please refer to the locus chart if door thickness is over 20mm. O.C. (B) can be made smaller by R chamfering (round chamfer) and C chamfering (chamfer plane) on the door.

Cut out dimensions (wooden doors)



Item name	Opening angle	Type	Material	Finish	Carton
360-D26-9T	105°	Soft close (5 levels)	Steel	Nickel	100pcs
360-26-9T		Free swinging			
360-C26-9T		Self-closing			200pcs
360-U26-9T		Self-opening			
360-D26-9T85	85°	Soft close (5 levels)			100pcs
360-26-9T85		Free swinging			200pcs
360-C26-9T85		Self-closing			

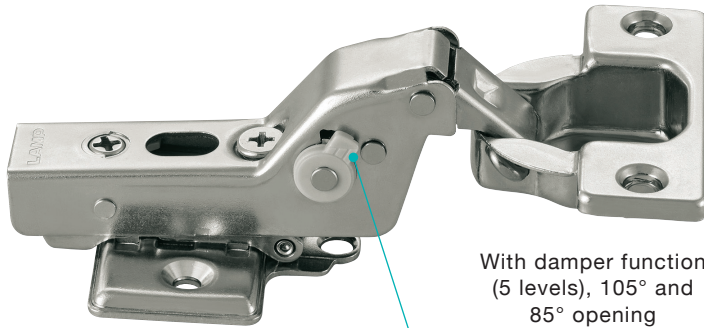
CONCEALED HINGE WITH ADJUSTABLE SOFT-CLOSE (9 MM OVERLAY)

CONCEALED HINGE WITH ADJUSTABLE SOFT-CLOSE



360-26/C26/D26/U26-OT

(Inset)



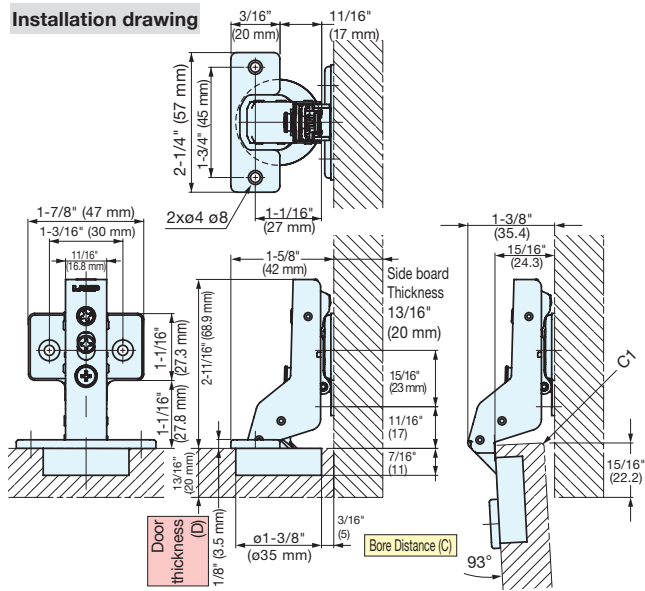
5-speed damper power adjustment lever

With damper function (5 levels), 105° and 85° opening

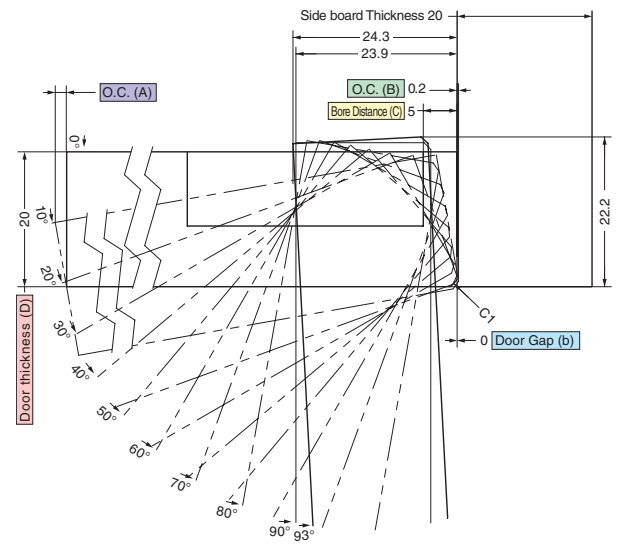
- Featuring 5-speed adjustable damper.
- Load capacity: 6 kg (13.2 lbs)/2 pcs, 10 kg (22 lbs)/3 pcs.
- Maximum door width: 600 mm (23-5/8").
- Maximum door thickness: 20mm (13/16")
- Clip on type for easy installation.
- 3-way adjustment with door installed.
- Mounting plate sold separately.
- Successfully passed 200,000 cycles test.



Installation drawing



Locus chart S=1/1



Drawings show a hinge, face plate and 360-P4W-30T mounting plate (sold separately).

Opening Clearance (O.C.)

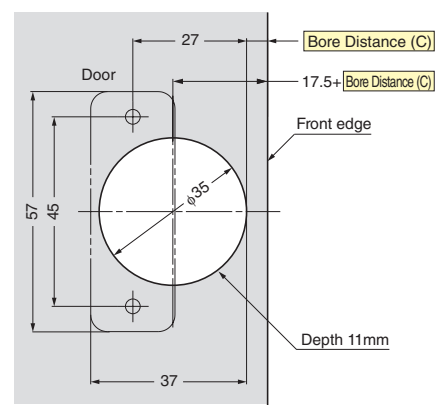
Clearances for door edge O.C. (A) and hinge side O.C. (B) are necessary. O.C. (A) and (B) change depending on door thickness and bore distance (C). Refer to locus chart and tables below when designing cabinets.

Opening clearance (B), door thickness (D) and bore distance (C) relationship

Door Thickness (D)	Bore Distance (C)		
	3	4	5
15	0	0	0
16	0	0	0
17	0	0	0
18	0	0	0
19	0.1	0.1	0.1
20	0.3	0.3	0.2
21*	0.5	0.4	0.4
22*	1.0	0.7	0.7
O.C. (B)			

* The table above shows O.C. (B) for C1 chamfering (chamfer plane).
 * Please refer to the locus chart if door thickness is over 20mm. O.C. (B) can be made smaller by R chamfering (round chamfer) and C chamfering (chamfer plane) on the door.

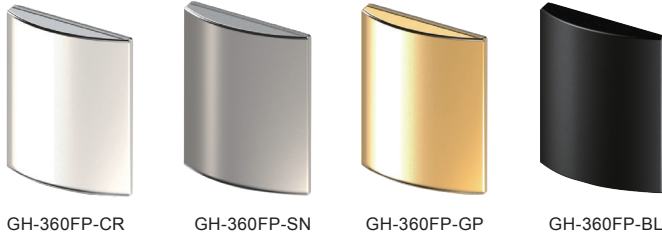
Cut out dimensions (wooden doors)



Item name	Opening angle	Type	Material	Finish	Carton
360-D26-OT	93°	Soft close (5 levels)	Steel	Nickel	100pcs
360-26-OT		Free swinging			
360-C26-OT		Self-closing			200pcs
360-U26-OT		Self-opening			

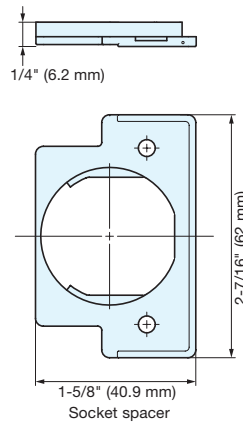
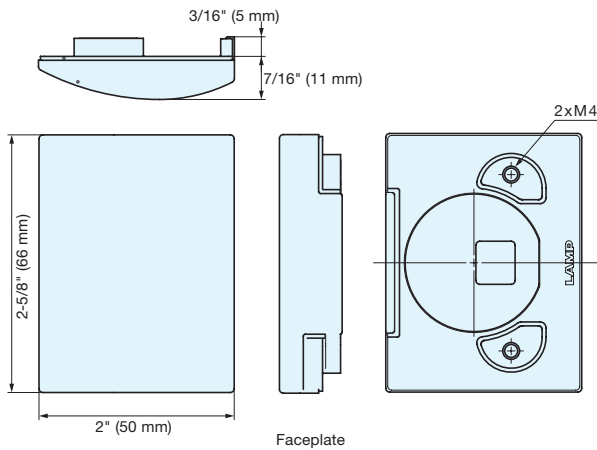
GLASS DOOR FACE PLATE for Olympia Hinge

GH-360FP



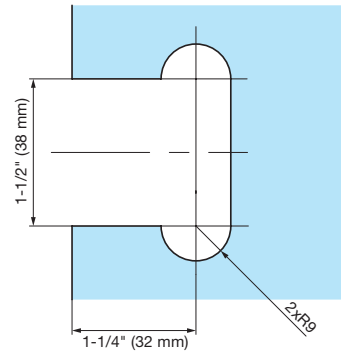
- Glass door face plate designed specifically for the Olympia hinge. (Not suitable for the H360 hinge).
- For tempered glass doors.

Item No.	Finish / Color	Material
GH-360FP-CR	Chrome Plating	Zinc Alloy (ZDC) Polyacetal (POM)
GH-360FP-SN	Satin Nickel	
GH-360FP-GP	24K Gold Plating	
GH-360FP-BL	Black	



Cut Out Dimensions

- Please use 3/16"-1/4" (4-6mm) tempered glass.
- Use of shatterproof film is recommended.

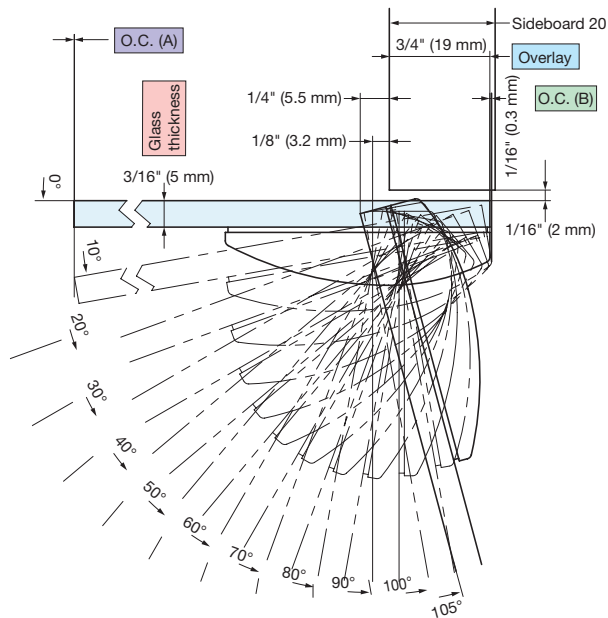


Side board and face plate relationship

► For a 3/16" (5 mm) door, 13/16" (20 mm) sideboard and 3/4" (19 mm) overlay.

► For a 3/16" (5 mm) door, 13/16" (20 mm) sideboard and inset installation.

Locus chart S=7/10 Overlay (3/4" (19 mm))



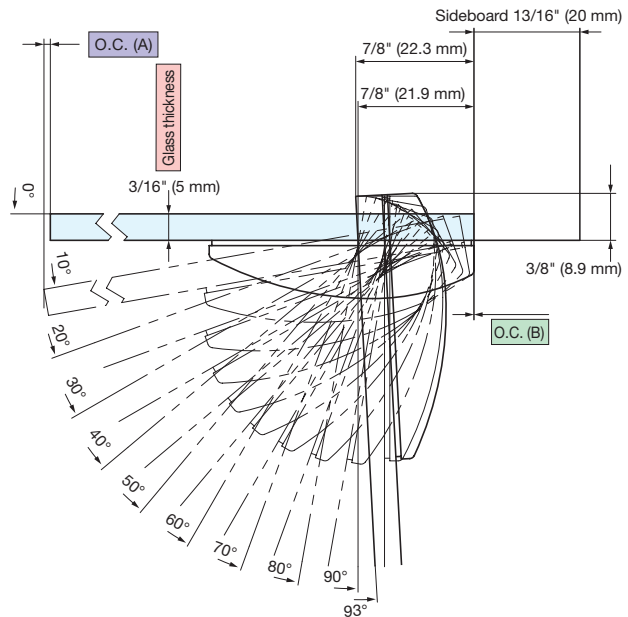
Opening clearance (O.C.)

Glass thickness	3/16" (4 mm)	3/16" (5 mm)	1/4" (6 mm)
O.C. (B)	0.2	0.3	0.5

Opening clearance (A) and door width relationship (for 3/16" (5mm) door)

Glass width	11-13/16" (300 mm)	15-3/4" (400 mm)	19-11/16" (500 mm)	23-5/8" (600 mm)
O.C. (A)	0.07	0.05	0.04	0.03

Locus chart S=7/10 Inset



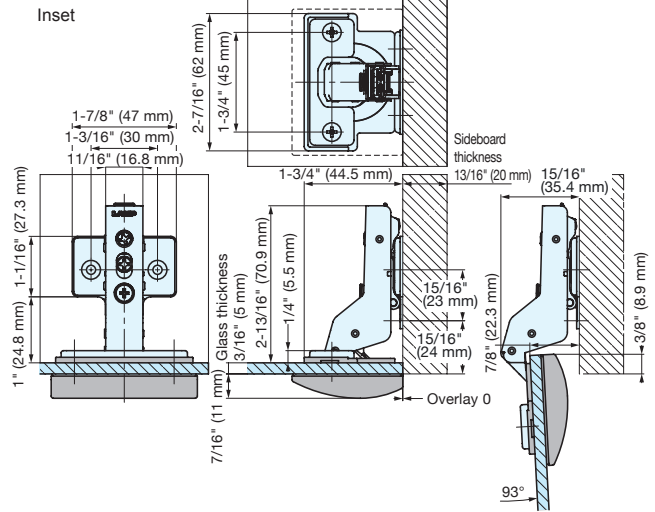
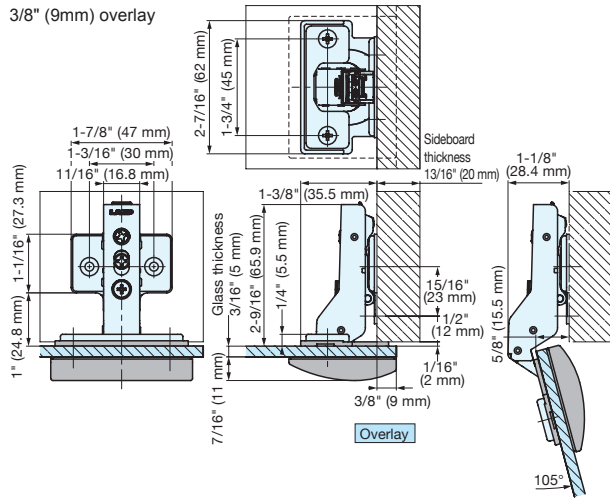
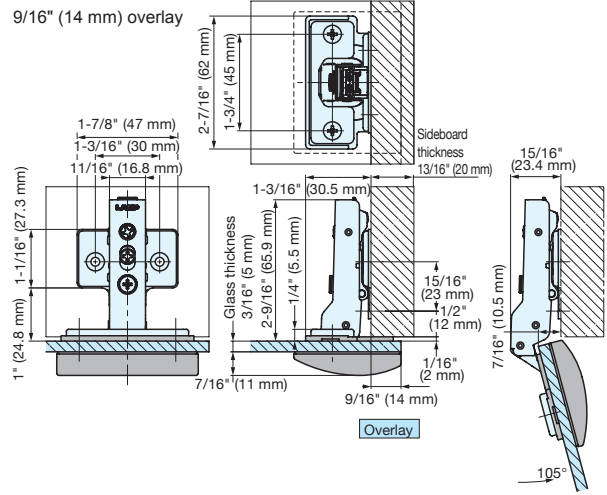
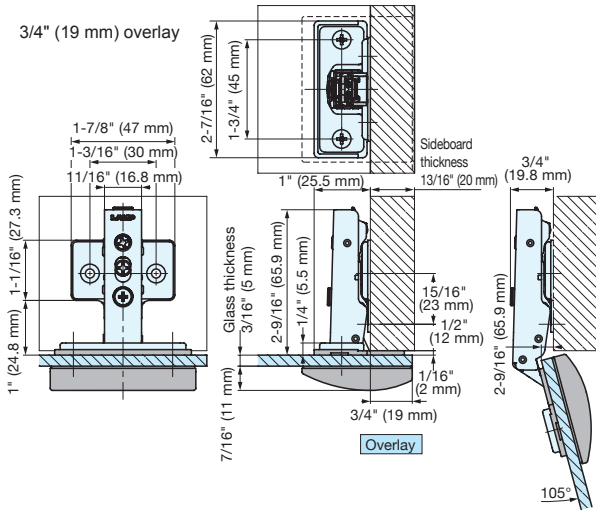
Opening clearance (O.C.)

Glass thickness	3/16" (4 mm)	3/16" (5 mm)	1/4" (6 mm)
O.C. (B)	0	0	0

Opening clearance (A) and door width relationship (for 3/16" (5mm) door)

Glass width	11-13/16" (300 mm)	15-3/4" (400 mm)	19-11/16" (500 mm)	23-5/8" (600 mm)
O.C. (A)	0.34	0.25	0.19	0.16

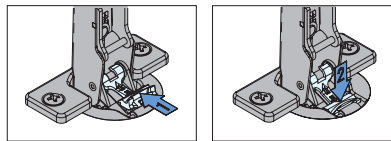
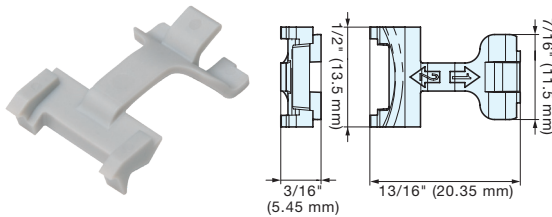
Installation drawing



Drawings show a hinge, face plate and 360-P4W-30T mounting plate (sold separately).

85° ANGLE LIMITER

360-85



- Can be retrofitted to a 105° opening Olympia hinge (standard door) to limit the opening angle to 85°.

INSTALLATION JIG

360-JIG

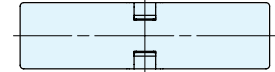
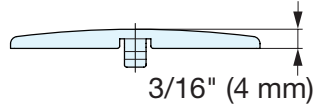
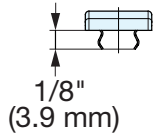
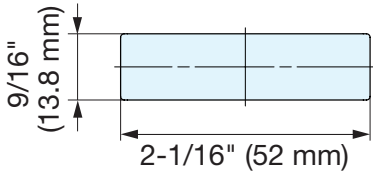


- For easy installation and alignment of the Olympia hinge mounting plate.
- Cannot be used in combination with 360-P6W32-32T and pre-mounted screw mounting plates.



BODY COVER (19 and 26 mm OVERLAY)
360HC-19H26-NI

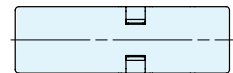
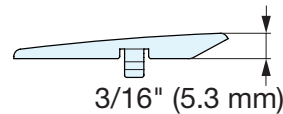
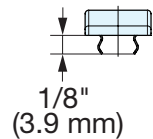
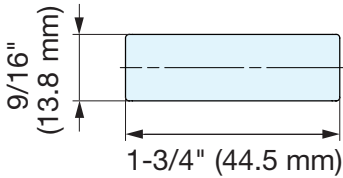

- Hides screws for a sleek look.
- Available Hinge
 - 360 (19 mm overlay type)
 - H360 (26 mm overlay type)



Item No.	Material	Finish	Weight (g)
360HC-19H26-NI	Steel	Nickel Plating	2.6

BODY COVER (9 and 16 mm OVERLAY)
360HC-9H16-NI

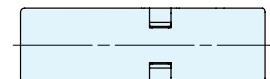
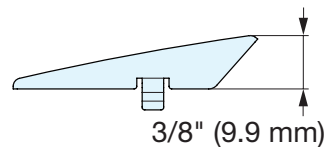
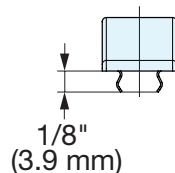
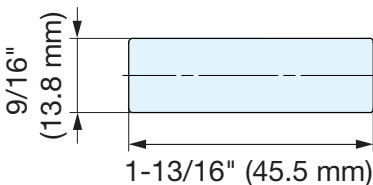

- Hides screws for a sleek look.
- Available Hinge
 - 360 (9 mm overlay type)
 - H360 (16 mm overlay type)



Item No.	Material	Finish	Weight (g)
360HC-9H16-NI	Steel	Nickel Plating	2.2

BODY COVER (INSET)
360HC-0H0-NI


- Hides screws for a sleek look.



Item No.	Material	Finish	Weight (g)
360HC-0H0-NI	Steel	Nickel Plating	2.7

HINGE QUANTITY (Recommended)

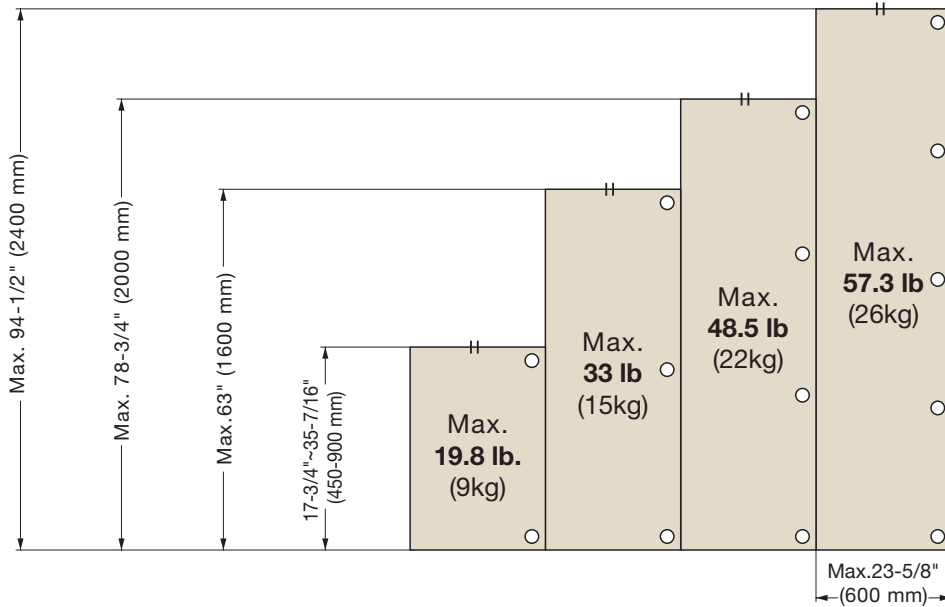
H360 THICK DOOR HINGES



HINGES

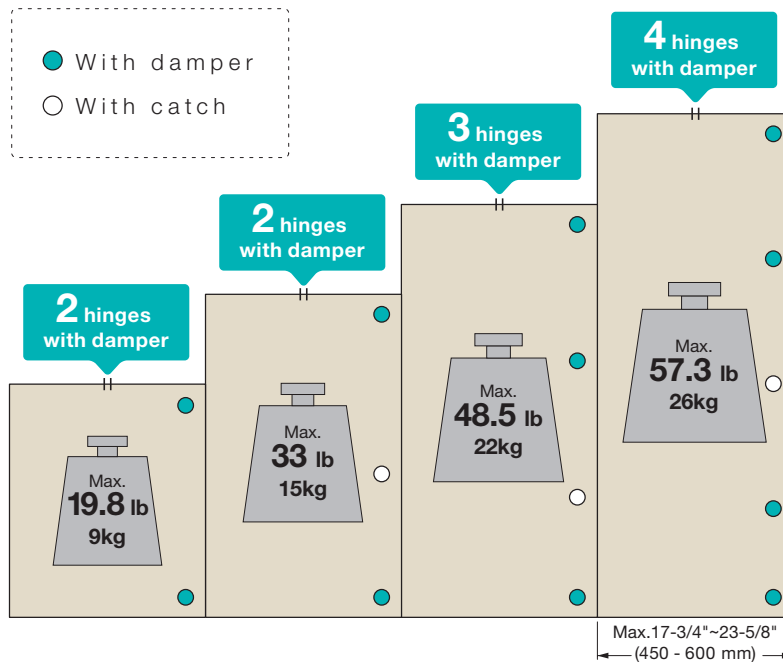
THICK DOOR CONCEALED HINGE WITH ADJUSTABLE SOFT-CLOSE

■ Thick wood doors H360



Door width	Door thickness	Material density	Installation pitch
Max. 23-5/8" (600 mm)	Max. 1-3/16" (30 mm)	Max. 0.6 mm	Min. 11-13/16" (300 mm)

RECOMMENDED TYPE OF DAMPER PER INSTALLATION



• Please set the door center of gravity as the door center. • If you want to increase the door width, please increase the number of hinges accordingly. • Attach the upper and lower hinges within 100 mm from the edge of the door. When using three or more, install at regular intervals. • Figures shown in the tables above are only indicative. Please always test before finalizing your design. • Please contact us for any other configuration. • The dimensions of the door and the number of hinges mounted are the results of tests made according to the JIS standard. • All screw holes should be used.

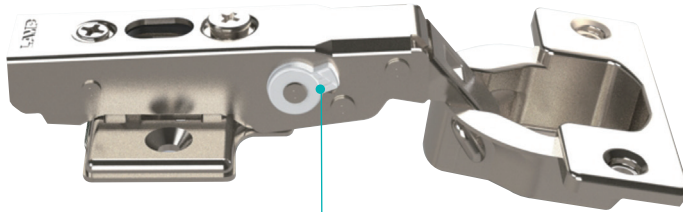
THICK DOOR CONCEALED HINGE WITH ADJUSTABLE SOFT-CLOSE



H360-26/C26/D26-26T

HINGES

(26 mm overlay)



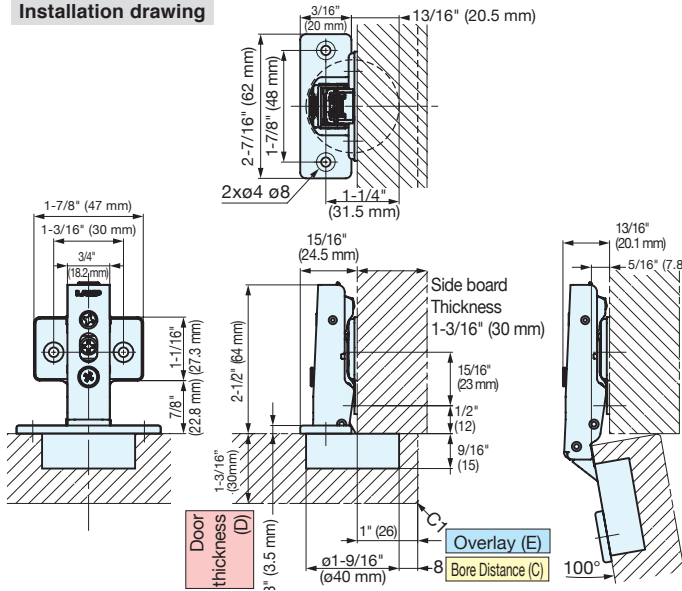
5-speed damper power adjustment lever

FOR THICK DOORS,
With damper function
(5 levels), 100° opening

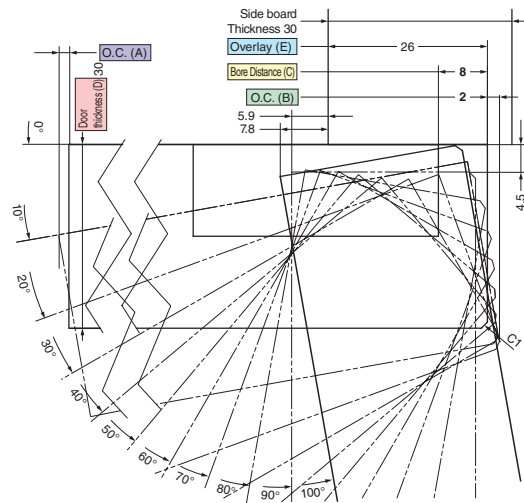
- Featuring 5-speed adjustable damper.
- Load capacity: 9 kg (19.8 lbs)/2 pcs, 15 kg (33 lbs)/3 pcs.
- Maximum door width: 600 mm (23-5/8").
- Maximum door thickness: 30 mm (1-3/16")
- Clip on type for easy installation.
- 3-way adjustment with door installed.
- Mounting plate sold separately.
- Successfully passed 200,000 cycles test.



Installation drawing



Locus chart S=1/1



Drawings show a hinge, face plate and 360-P4W-30T mounting plate (sold separately).

Opening Clearance (O.C.)

Clearances for door edge O.C. (A) and hinge side O.C. (B) are necessary. O.C. (A) and (B) change depending on door thickness and bore distance (C). Refer to locus chart and tables below when designing cabinets.

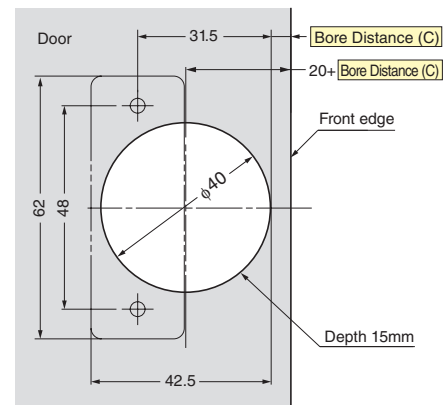
Opening clearance (B), door thickness (D) and bore distance (C) relationship

Door Thickness (D)	Bore Distance (C)						
	3	4	5	6	7	8	
18	0.1	0.1	0.1	0.1	0.1	0.1	
20	0.3	0.3	0.3	0.3	0.3	0.3	
22	0.5	0.5	0.5	0.5	0.5	0.5	
24	0.8	0.8	0.8	0.8	0.8	0.8	
26	1.3	1.2	1.2	1.1	1.1	1.1	
28	3.6	2.6	1.6	1.6	1.5	1.5	
30	6.0	5.0	4.0	3.0	2.1	2.0	
32*	8.4	7.4	6.4	5.4	4.4	3.4	
34*	10.8	9.8	8.8	7.8	6.8	5.8	
O.C. (B)							

* The table above shows O.C. (B) for C1 chamfering (chamfer plane).

* Please refer to the locus chart if door thickness is over 30mm. O.C. (B) can be made smaller by R chamfering (round chamfer) and C chamfering (chamfer plane) on the door.

Cut out dimensions (wooden doors)



THICK DOOR CONCEALED HINGE WITH ADJUSTABLE SOFT-CLOSE (26 MM OVERLAY)

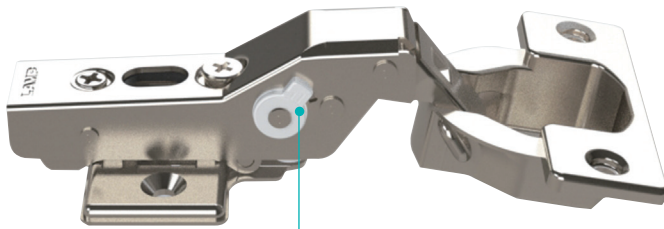
Item name	Opening angle	Type	Material	Finish	Carton
H360-D26-26T	100°	Soft close (5 levels)	Steel	Nickel	100pcs
H360-26-26T		Free swinging			
H360-C26-26T		Self-closing			

THICK DOOR CONCEALED HINGE WITH ADJUSTABLE SOFT-CLOSE



H360-26/C26/D26

(16 mm overlay)



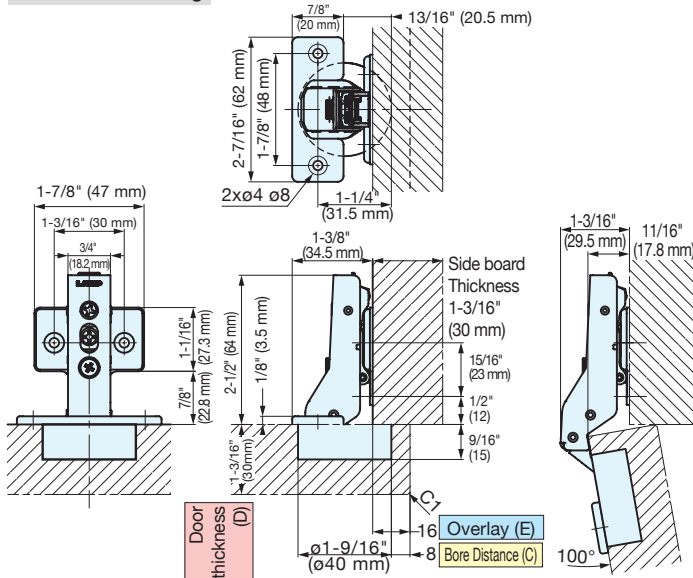
5-speed damper power adjustment lever

FOR THICK DOORS,
With damper function
(5 levels), 100° opening

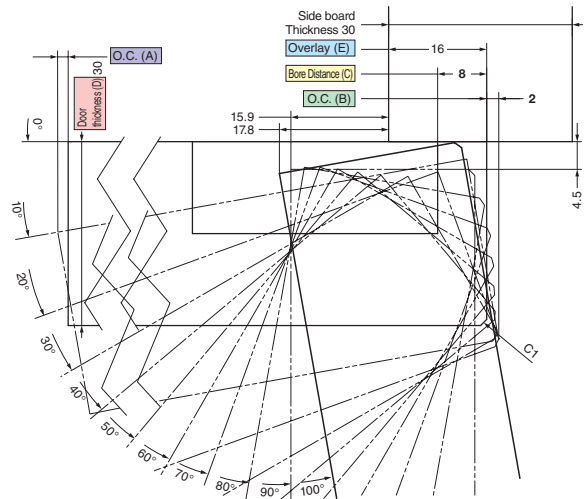
- Featuring 5-speed adjustable damper.
- Load capacity: 9 kg (19.8 lbs)/2 pcs, 15 kg (33 lbs)/3 pcs.
- Maximum door width: 600 mm (23-5/8").
- Maximum door thickness: 30 mm (1-3/16")
- Clip on type for easy installation.
- 3-way adjustment with door installed.
- Mounting plate sold separately.
- Successfully passed 200,000 cycles test.



Installation drawing



Locus chart S=1/1



Drawings show a hinge, face plate and 360-P4W-30T mounting plate (sold separately).

Opening Clearance (O.C.)

Clearances for door edge O.C. (A) and hinge side O.C. (B) are necessary. O.C. (A) and (B) change depending on door thickness and bore distance (C). Refer to locus chart and tables below when designing cabinets.

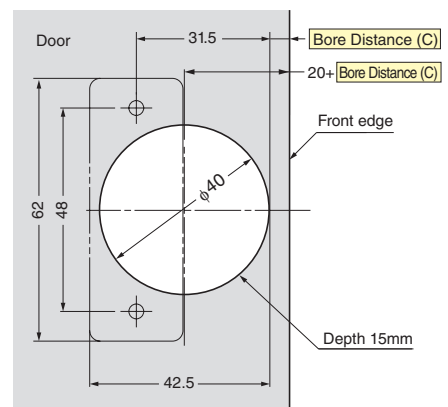
Opening clearance (B), door thickness (D) and bore distance (C) relationship

Door Thickness (D)	Bore Distance (C)						
	3	4	5	6	7	8	
18	0.1	0.1	0.1	0.1	0.1	0.1	
20	0.3	0.3	0.3	0.3	0.3	0.3	
22	0.5	0.5	0.5	0.5	0.5	0.5	
24	0.8	0.8	0.8	0.8	0.8	0.8	
26	1.3	1.2	1.2	1.1	1.1	1.1	
28	3.6	2.6	1.6	1.6	1.5	1.5	
30	6.0	5.0	4.0	3.0	2.1	2.0	
32*	8.4	7.4	6.4	5.4	4.4	3.4	
34*	10.8	9.8	8.8	7.8	6.8	5.8	
O.C. (B)							

* The table above shows O.C. (B) for C1 chamfering (chamfer plane).

* Please refer to the locus chart if door thickness is over 30mm. O.C. (B) can be made smaller by R chamfering (round chamfer) and C chamfering (chamfer plane) on the door.

Cut out dimensions (wooden doors)



Item name	Opening angle	Type	Material	Finish	Carton
H360-D26-16T	100°	Soft close (5 levels)	Steel	Nickel	100pcs
H360-26-16T		Free swinging			
H360-C26-16T		Self-closing			

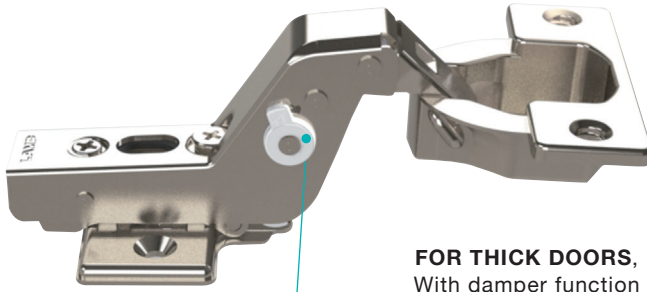
THICK DOOR CONCEALED HINGE WITH ADJUSTABLE SOFT-CLOSE



H360-26/C26/D26

HINGES

(Inset)



5-speed damper power adjustment lever

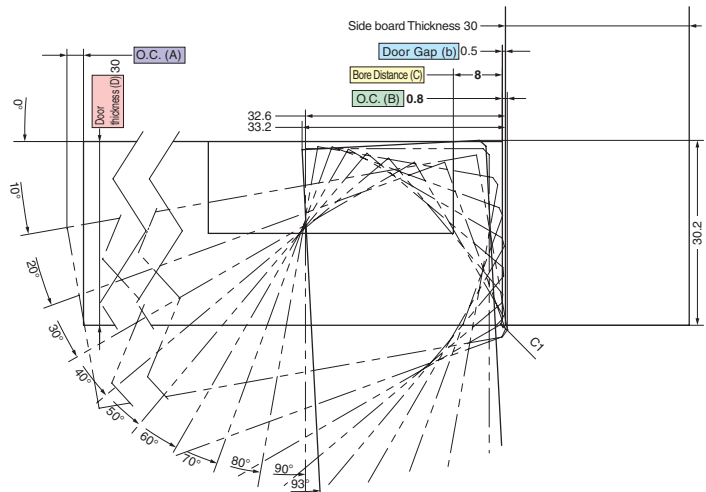
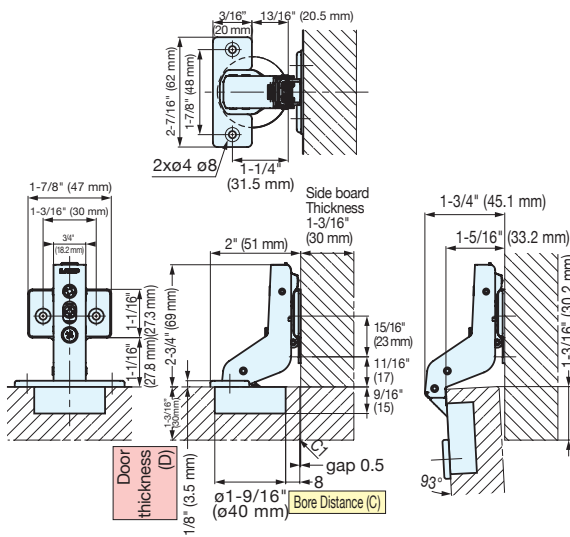
FOR THICK DOORS,
With damper function
(5 levels), 100° opening

- Featuring 5-speed adjustable damper.
- Load capacity: 9 kg (19.8 lbs)/2 pcs, 15 kg (33 lbs)/3 pcs.
- Maximum door width: 600 mm (23-5/8").
- Maximum door thickness: 30 mm (1-3/16")
- Clip on type for easy installation.
- 3-way adjustment with door installed.
- Mounting plate sold separately.
- Successfully passed 200,000 cycles test.



Installation drawing

Locus chart S=1/1



Drawings show a hinge, face plate and 360-P4W-30T mounting plate (sold separately).

Opening Clearance (O.C.)

Clearances for door edge O.C. (A) and hinge side O.C. (B) are necessary. O.C. (A) and (B) change depending on door thickness and bore distance (C). Refer to locus chart and tables below when designing cabinets.

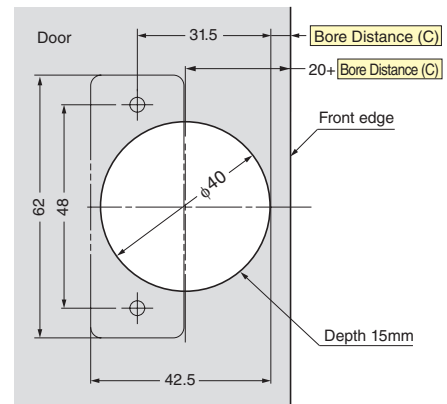
Opening clearance (B), door thickness (D) and bore distance (C) relationship

Door Thickness (D)	Bore Distance (C)						
	3	4	5	6	7	8	
18	0	0	0	0	0	0	
20	0	0	0	0	0	0	
22	0	0	0	0	0	0	
24	0.1	0.1	0.1	0.1	0.1	0.1	
26	0.3	0.3	0.3	0.3	0.3	0.3	
28	1.7	0.7	0.5	0.5	0.5	0.5	
30	3.9	2.9	2.0	1.4	0.8	0.8	
32*	5.9	4.9	3.9	3.3	2.6	2.1	
34*	8.1	7.1	6.1	5.1	4.5	3.9	

O.C. (B)

* The table above shows O.C. (B) for C1 chamfering (chamfer plane).
* Please refer to the locus chart if door thickness is over 30mm. O.C. (B) can be made smaller by R chamfering (round chamfer) and C chamfering (chamfer plane) on the door.

Cut out dimensions (wooden doors)



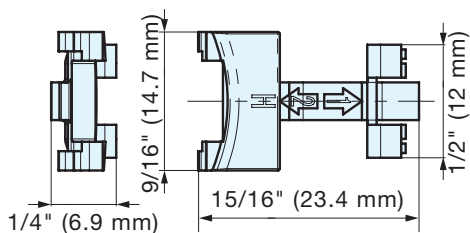
THICK DOOR CONCEALED HINGE WITH ADJUSTABLE SOFT-CLOSE (INSET)

Item name	Opening angle	Type	Material	Finish	Carton
H360-D26-0T	93°	Soft close (5 levels)	Steel	Nickel	100pcs
H360-26-0T		Free swinging			
H360-C26-0T		Self-closing			

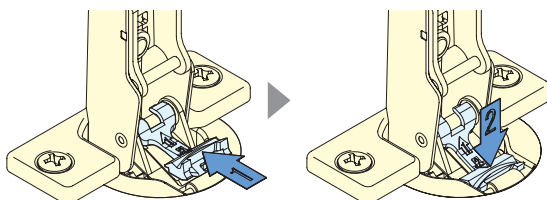


85° ANGLE LIMITER (THICK DOOR)

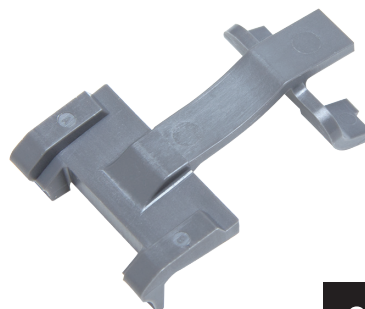
H360-85



[How to Use]



- Limits the opening angle from 100° to 85° of the H360 hinge. (The H360 is a thick door model of OLYMPIA hinge series.)



Item No.	Material	Color
H360-85	PBT	Grey

