

# DAMPER CATCH



7520040

CATCHES & LATCHES

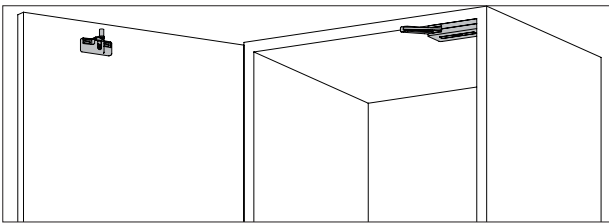
DAMPER CATCHES



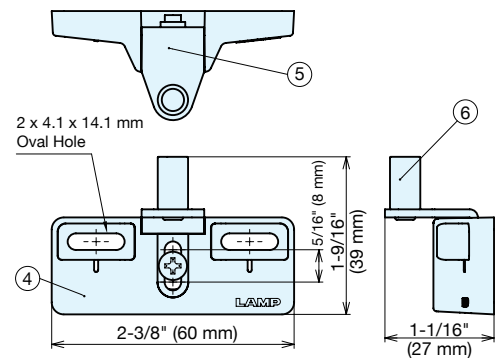
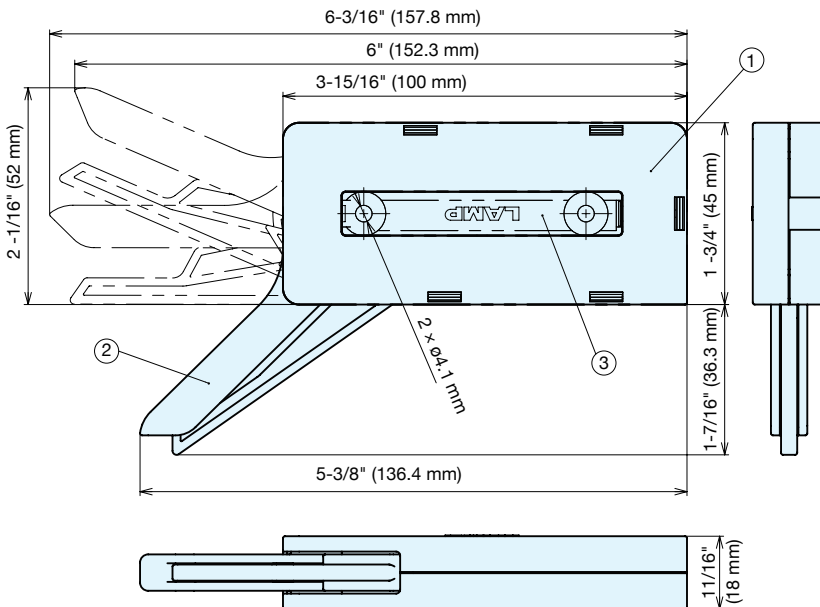
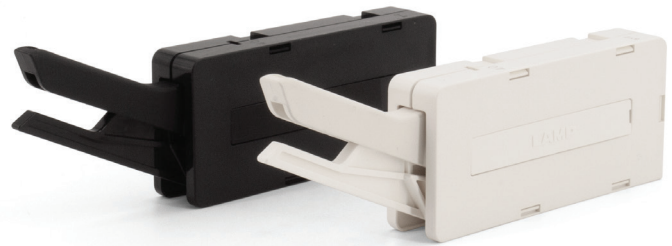
- Damper and catch combination for large cabinetry and closet doors.
- Allows door to soft close and prevent slamming.
- Holds doors in closed position.
- Easy to install by simply aligning body with the interior wall.
- Non-handed.
- Can handle doors up to 88 lbs (40 kg). (When using 752004030).
- Strike can be adjusted post-installation: horizontally  $\pm 5$  mm, vertically  $\pm 4$  mm.
- Passed 50,000 open/close cycles in a private test.

**RECOMMENDED HINGES**

- Heavy Duty Concealed Hinge J95.



Attach to the interior of the cabinet.



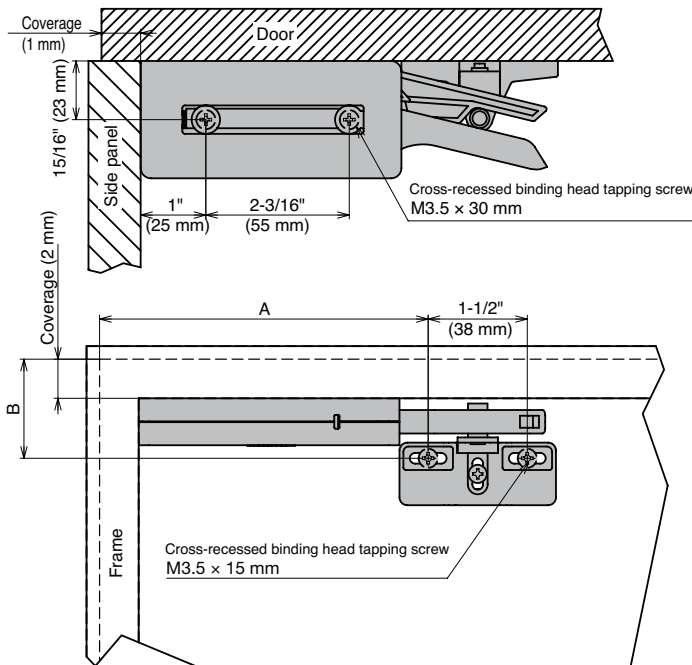
No.	Item Name	Materials	Finish/Colour
①	Body	PC/ABS	White / Black
②	Arm	PA	White / Black
③	Body Cover	ABS	White / Black
④	Counter	PC/ABS	White / Black
⑤	Counter Plate	Steel (SPCC)	Nickel Plating
⑥	Bumper	Elastomer	Gray

Item Name	Colour	Door Width	Door Height Max.	Load Capacity lbs	Weight (g)	Box (pcs)	Carton (pcs)
752004030	White	17-3/4" ~ 35-7/16"	94-1/2" (2400 mm)	55 ~ 88 (25 ~ 40 kg)	105	10	100
7520040181	Black	(450 - 900 mm)					

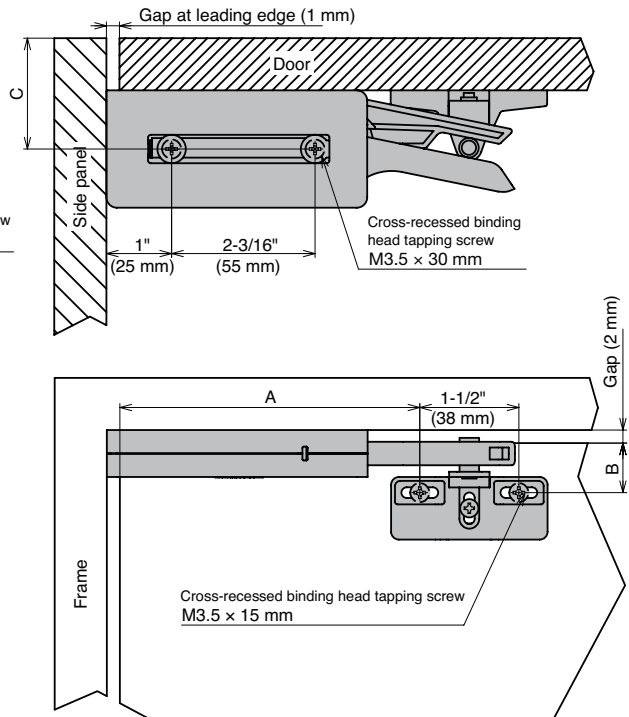
# DAMPER CATCH

# DC-200

For overlay doors

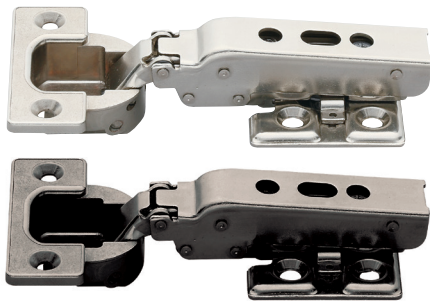


For inset doors Install a door stopper in addition to this product.



	A	B	C
Outset Doors	114 + Coverage (1)	24 + Coverage (2)	
Inset Doors	114 - gap at leading edge (1)	24 - gap (2)	23+Door Thickness

## RELATED PRODUCTS



### HEAVY DUTY CONCEALED HINGE

#### J95

- Load capacity: 55 lbs (25 kg)/2 pcs, 88 lbs (40 kg)/3 pcs.
- Maximum door width: 31-1/2" (800 mm)/2 pcs, 35-7/16" (900 mm)/3 pcs.
- Clip on type for easy installation.
- 3-way adjustment with door installed.
- Optional hinge cover (75389000181) and mounting plate cover (7538902181) available (sold separately).