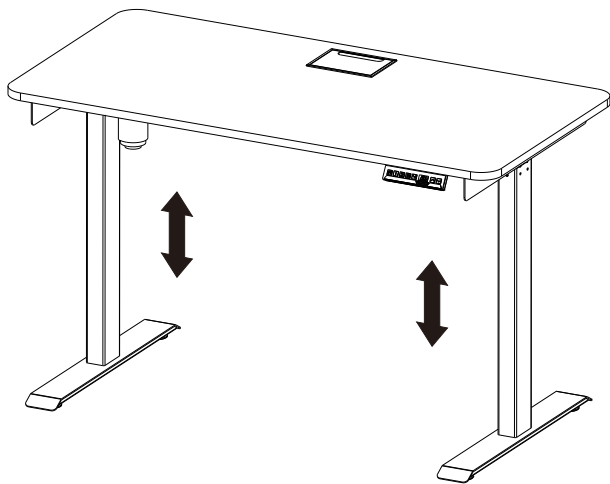


ELEFU










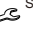
Installation Guide



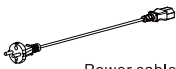
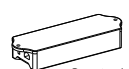

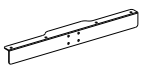
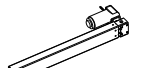
Technical Data

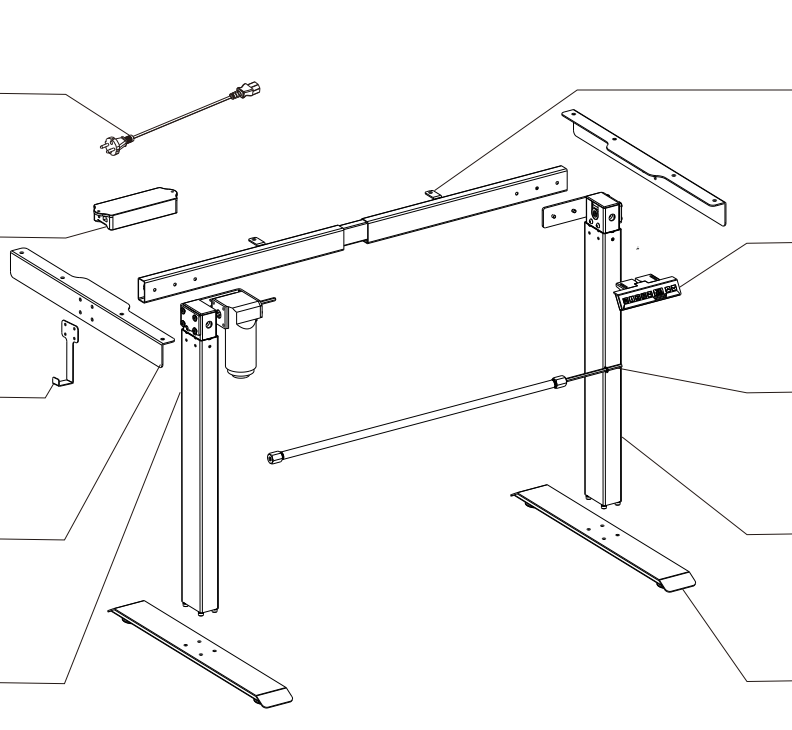
Column Number	2	Input Voltage	100-240V
Maximum Load	80 KG	Speed	20mm/s
Height Range	710-1150mm	Certification Standard	UL CE FCC CUL
Duty Cycle	10%(2 minutes on, 18 minutes off)		


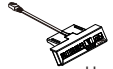



Accessories List

A  STEP 7,9 Qty *12 M5×16	B  STEP 5 Qty *8 M6×10	C  STEP 2 Qty *6 M6×10	D  STEP 3 Qty *8 M6×16	E  STEP 10 Qty *2 M4×12
F  STEP 1,8 Qty *4 M8×10	G  STEP 7 Qty *10 Washers	H  STEP 10 Qty *5 Cable Clips	I  STEP 1,2 3,5 Qty *1 Allen Wrench	J  STEP 6 Qty *1 Allen Wrench

Parts List

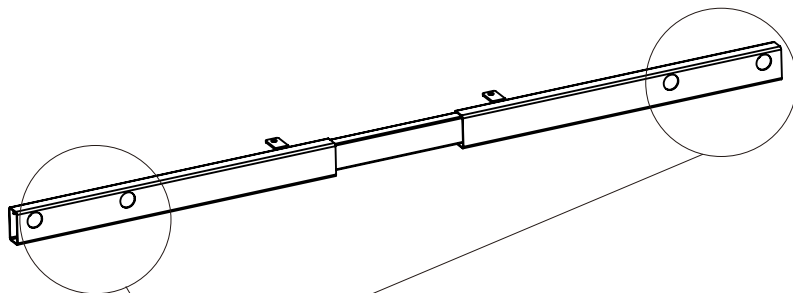
No.	Part	Qty
①	 Power cable	1
No.	Part	Qty
②	 Control box	1
No.	Part	Qty
③	 Hanger	1
No.	Part	Qty
④	 Side bracket	2
No.	Part	Qty
⑤	 Lifting column A	1



No.	Part	Qty
⑥	 Frame	1
No.	Part	Qty
⑦	 Handset	1
No.	Part	Qty
⑧	 Motor Rod	1
No.	Part	Qty
⑨	 Lifting column B	1
No.	Part	Qty
⑩	 Feet	2

STEP 1

Adjust the Supporting Beam(7)

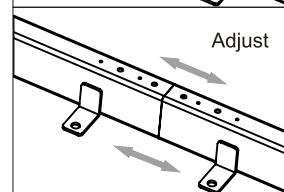
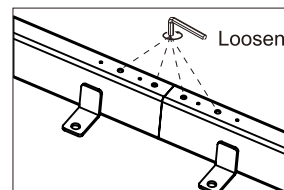


Adjust the supporting beam(7) until the holes are not blocked.

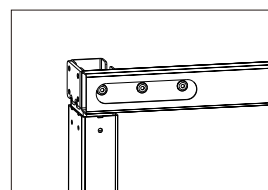
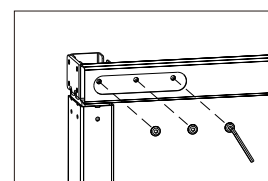
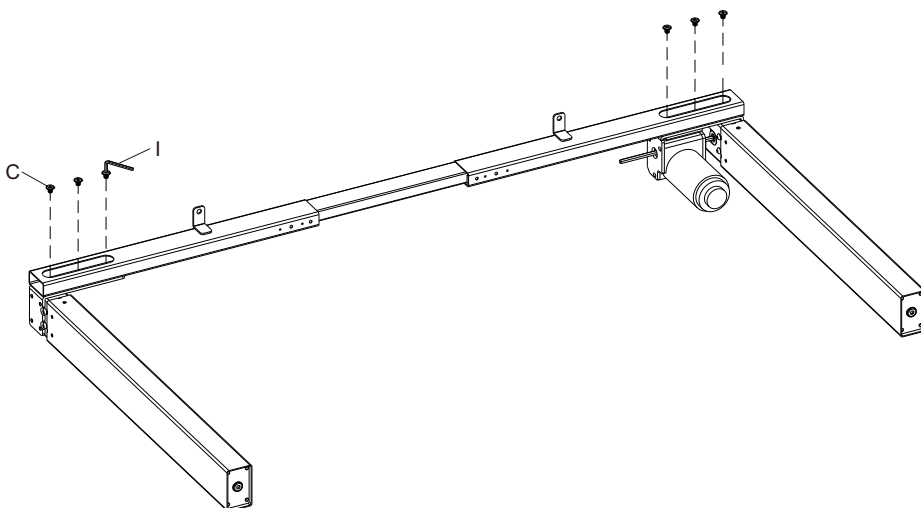


Attention

Use a padded or carpeted area for assembly to avoid damage.



STEP 2

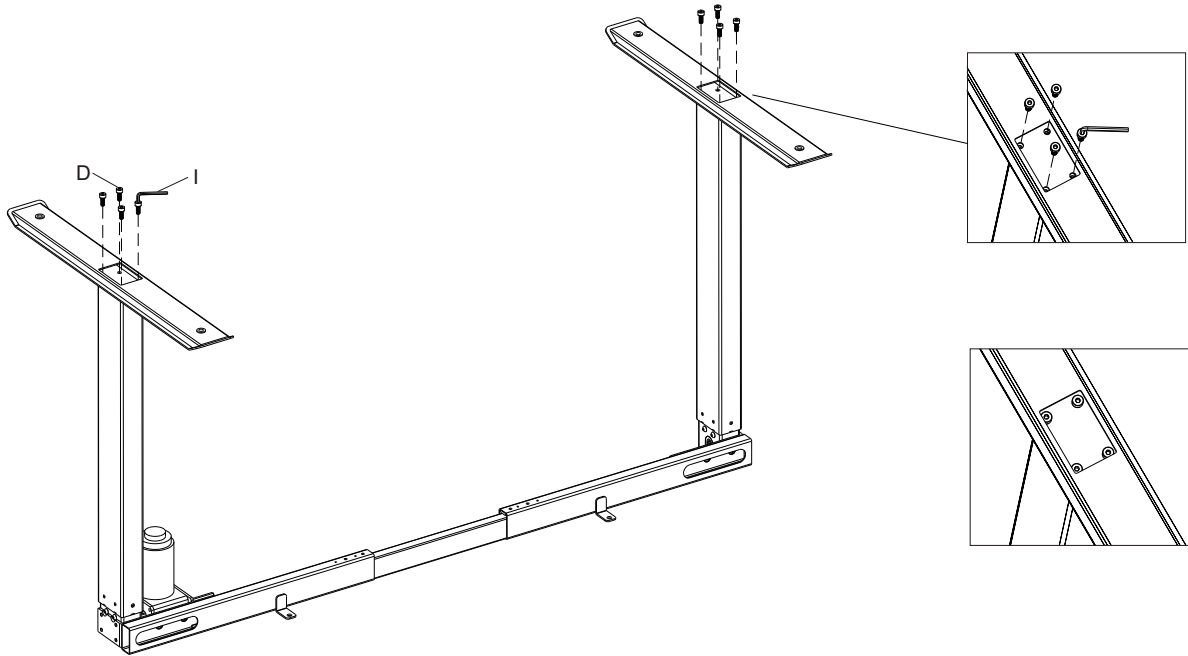


 **Richelieu**

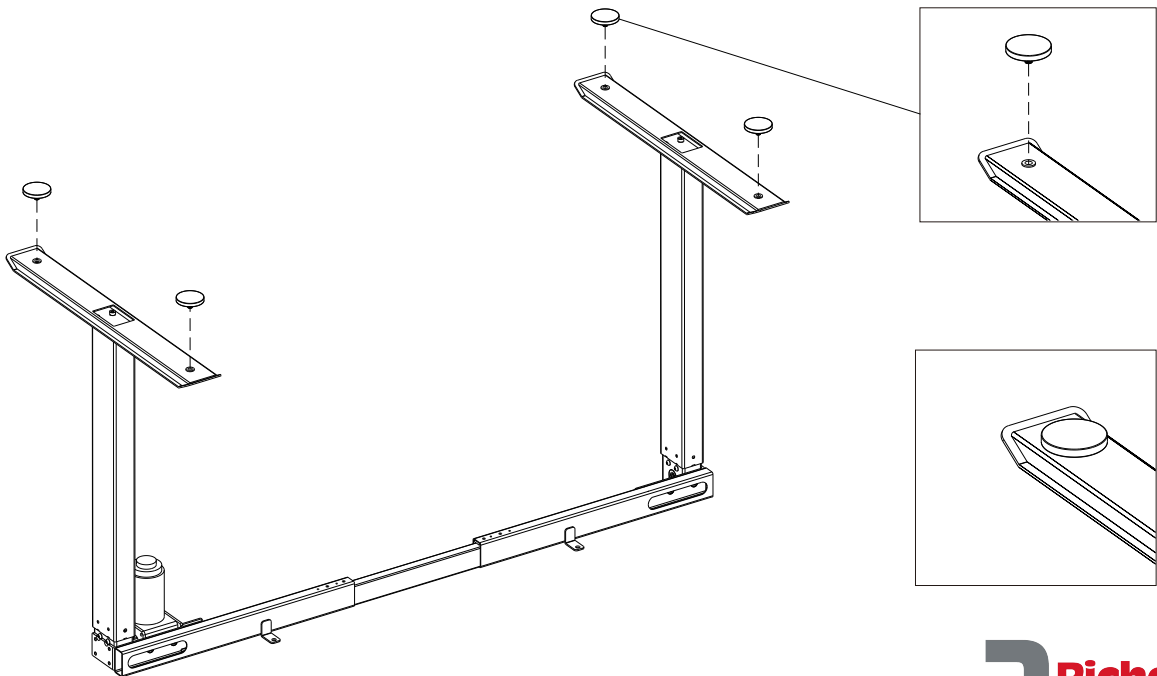
STEP 3

D
x8

I
4x4



STEP 4

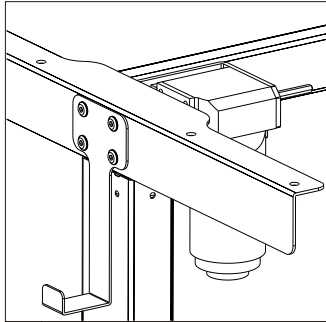


 **Richelieu**

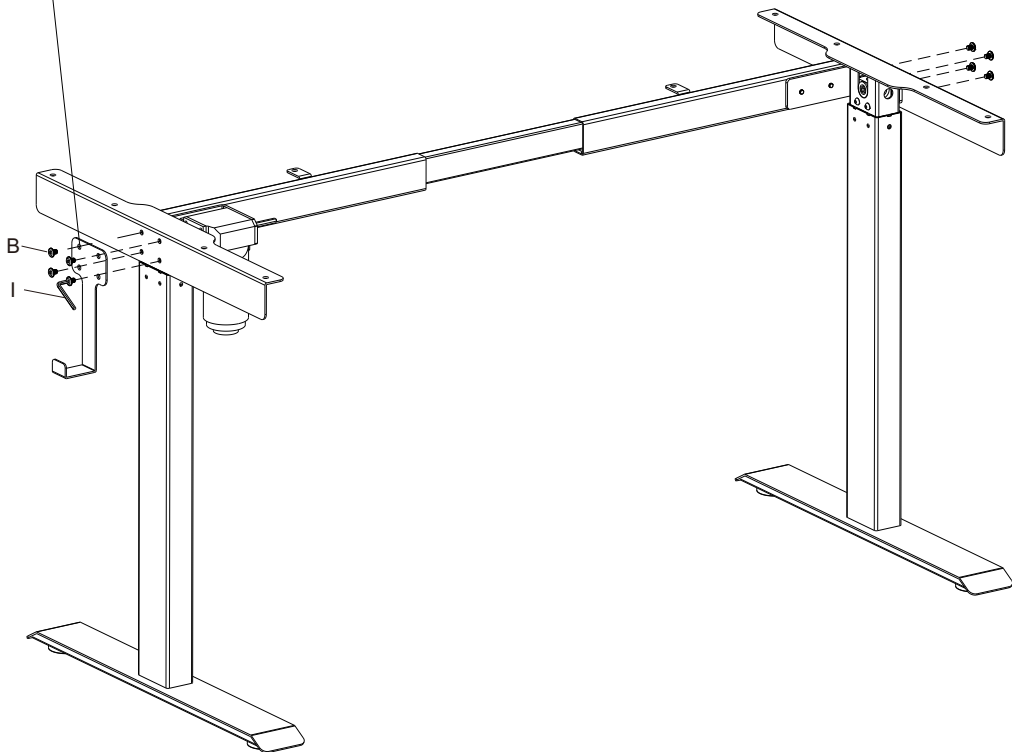
STEP 5

B
x8

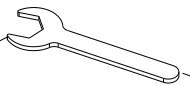
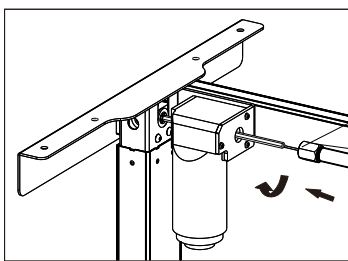
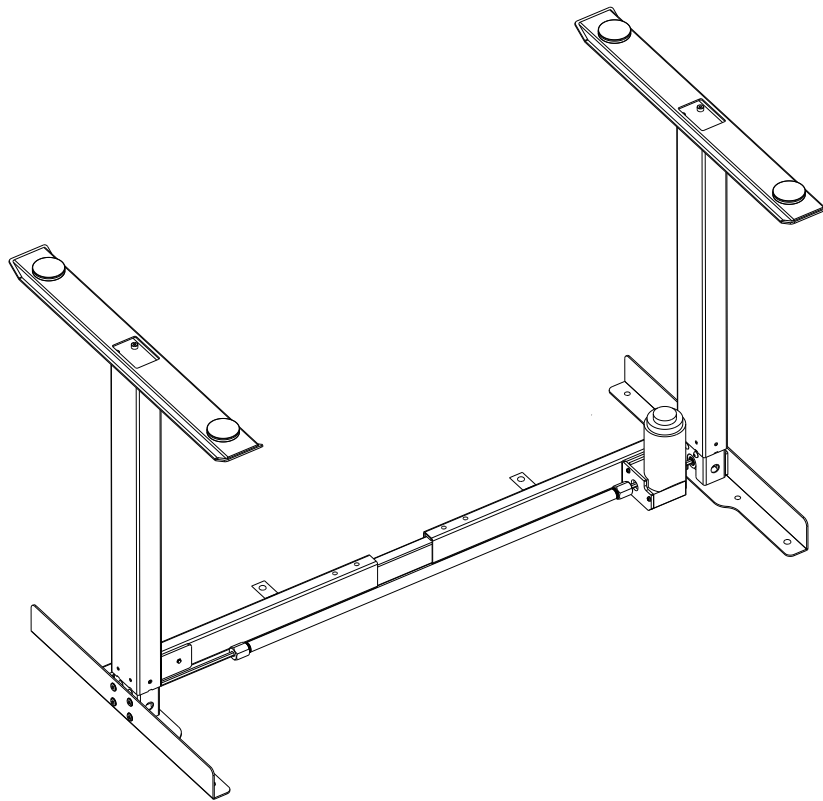
I
4x4



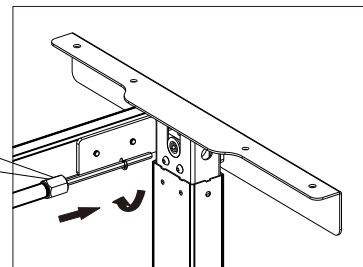
The hanger is assembled on left or right



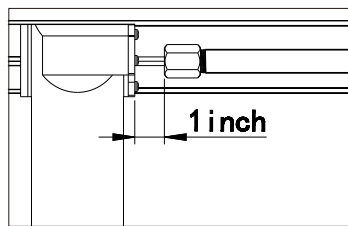
STEP 6



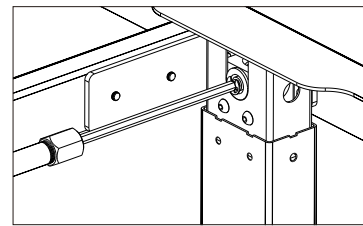
Loosen the nut
of both side



**ATTENTION
PLEASE**



1 inch

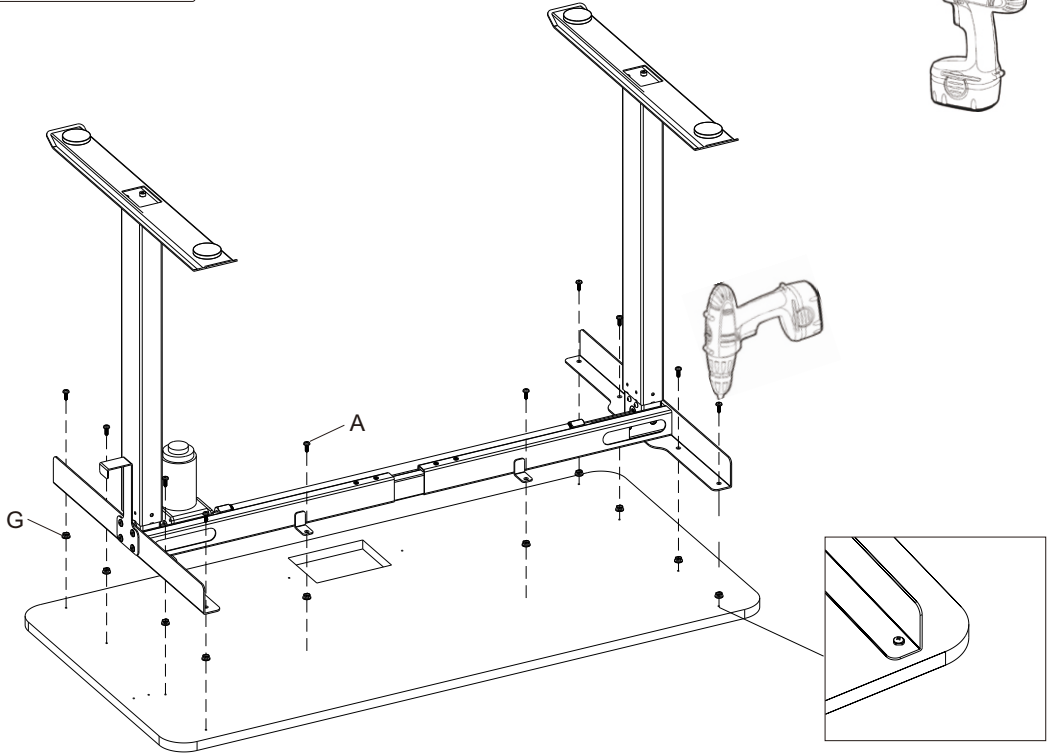
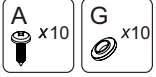


Please keep less **1 inch** distance
between the motor rod and motor.

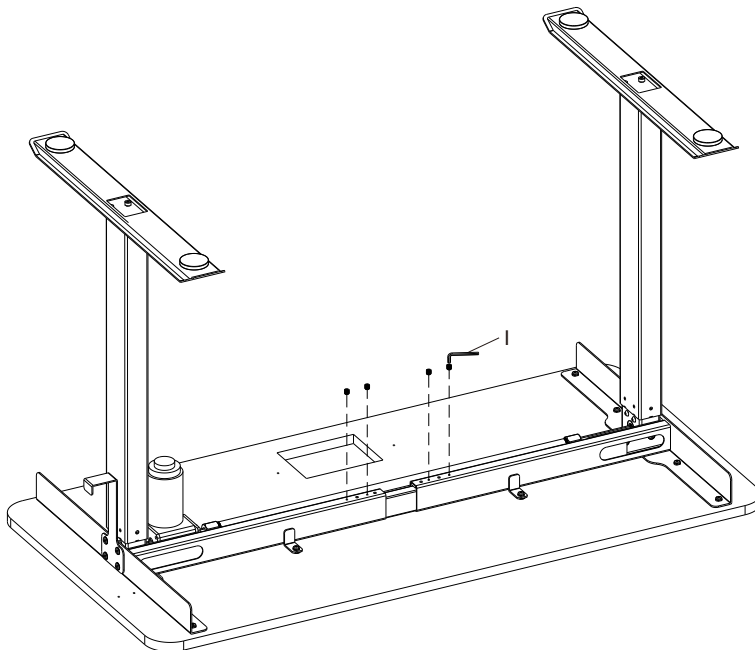
Please insert motor rod into the gear box
completely, using the circlip.

STEP 7

Install the Desktop



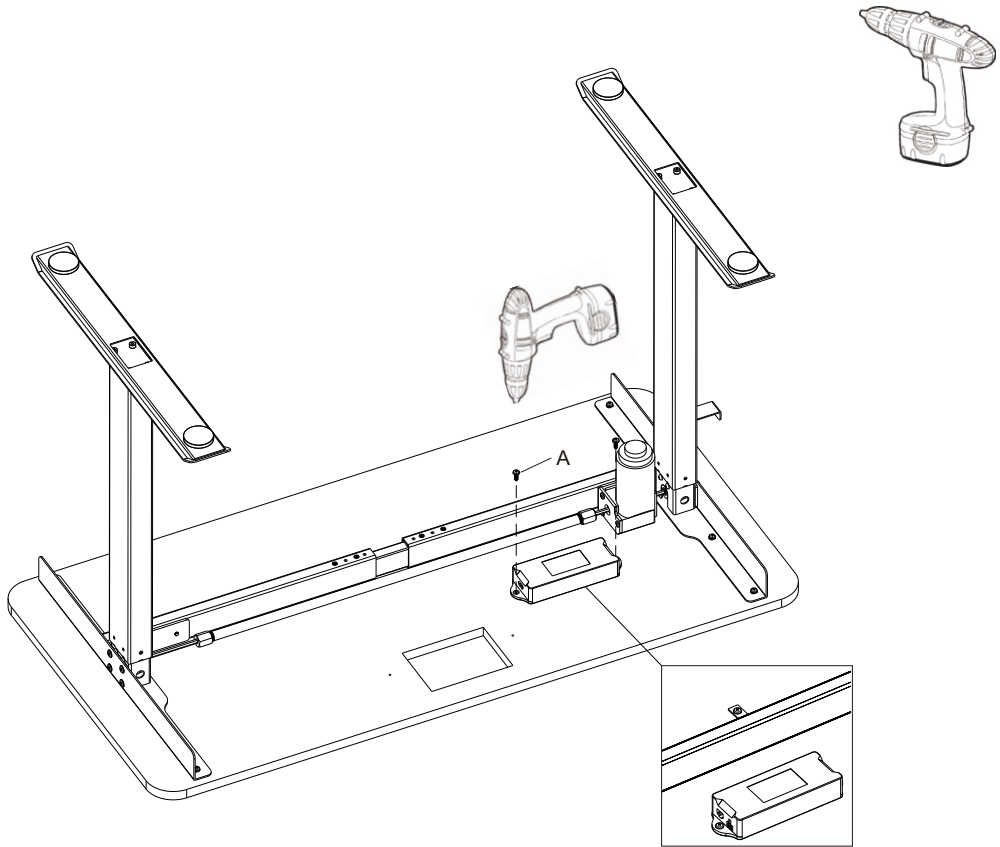
STEP 8



 Richelieu

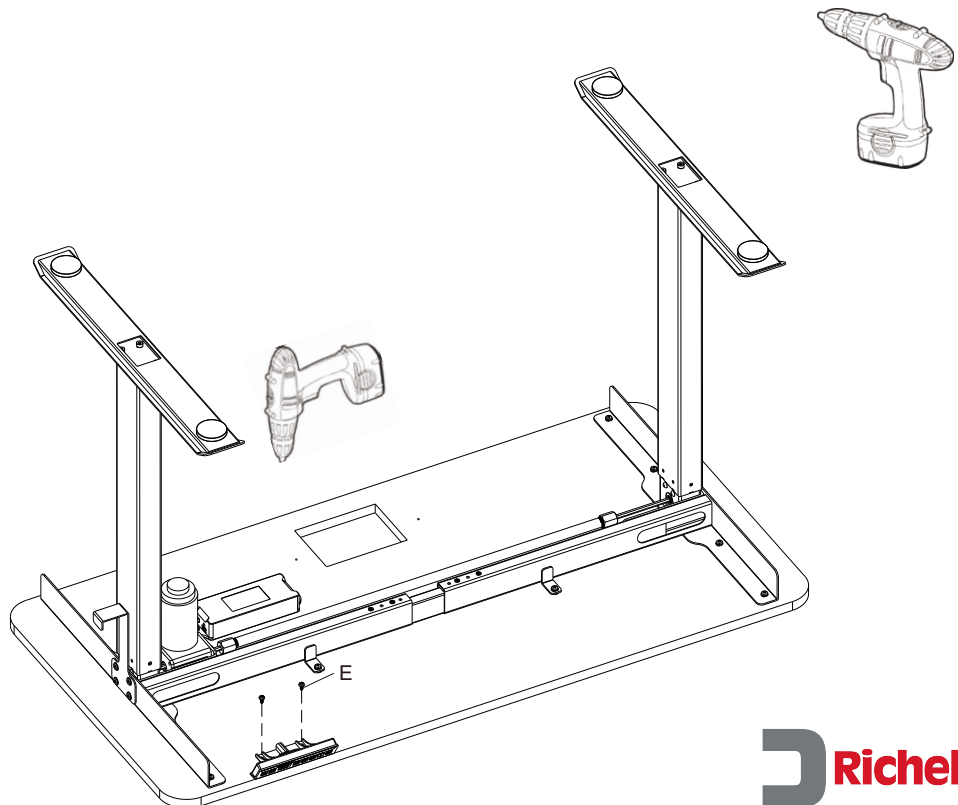
STEP 9

A x2



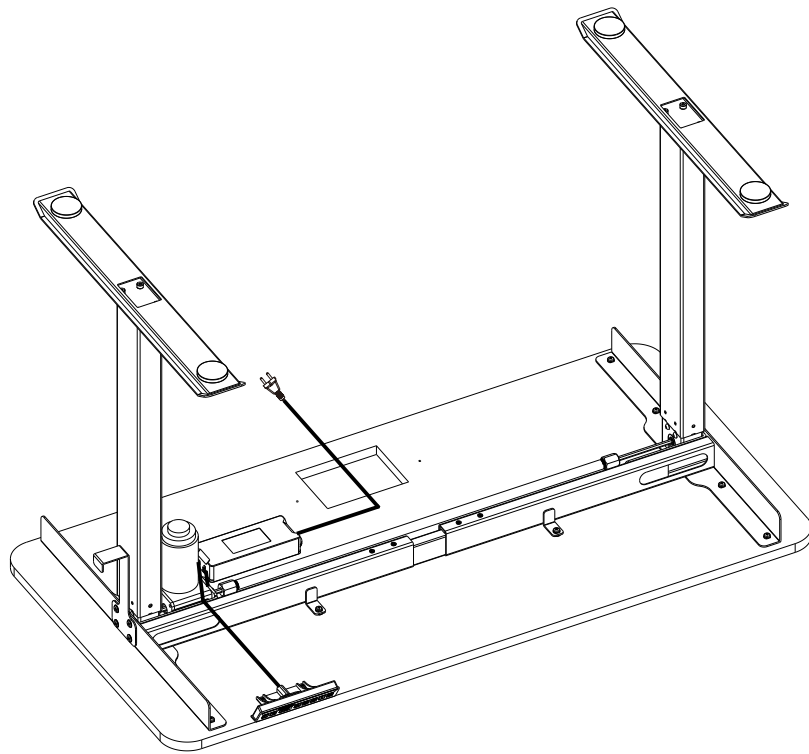
STEP 10

E x2

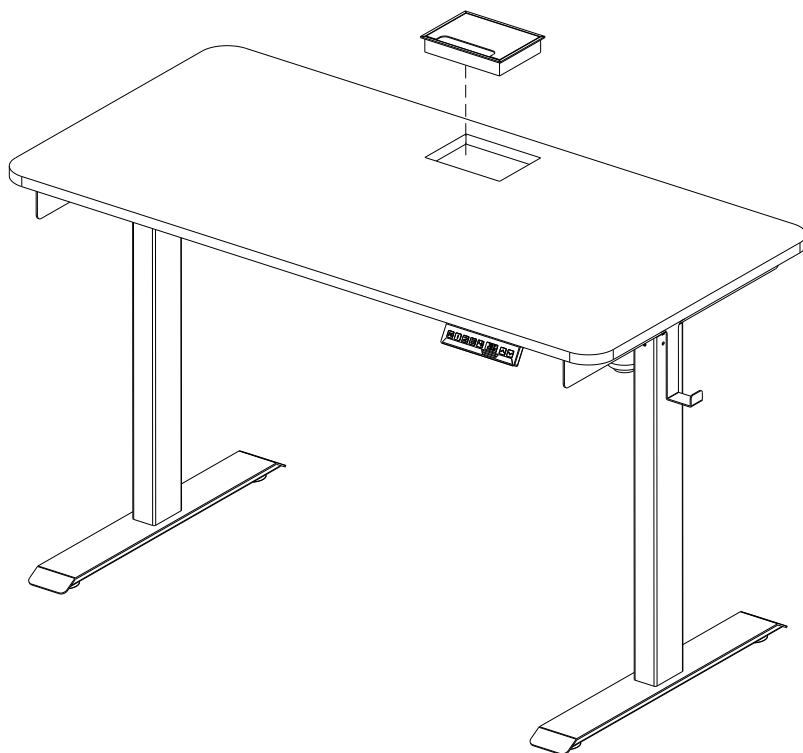


 **Richelieu**

STEP 11

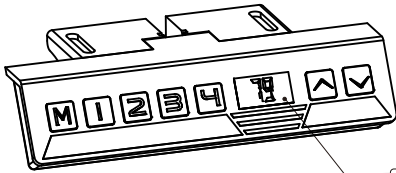


STEP 12



Control Panel Instruction

Handset



LED display

●	“▲”	Adjust the desk upwards
●	“▼”	Adjust the desk downwards
●	“1”	Position 1, first height position saved by user
●	“2”	Position 2, second height position saved by user
●	“3”	Position 3, third height position saved by user
●	“4”	Position 4, fourth height position saved by user
●	“M”	Memory button for height memory function

RESETTING

IMPORTANT: RESET prior to use!

Plug the power cord into a 110v or 220v outlet.

Press and hold the DOWN button on the handset until the desk reaches its lowest height. Release the DOWN button. Press and hold the DOWN button again for about 10 seconds until the desk lowers a little bit more, slightly rises and stops. Release the DOWN button. Your desk is now ready to use.

MEMORY PRESETS

Move the desk to desired height, press "M" and release, the handset will then display "S-". Choose the number where you want to save height.

CHILD LOCK

LOCK: Press and hold "UP" and "DOWN" buttons for 5 seconds until display shows "LOC".

UNLOCK: Press and hold "UP" and "DOWN" buttons for 5 seconds until display shows current height.

TROUBLESHOOTING

If experiencing error messages showing on the Handset or no response when trying to raise or lower: Unplug the power cable and plug cord back in. Then follow RESET instructions above. Buzzer will make a sound, which means reset is finished.

If the desk crashed into something or there is a sudden force on it, our anti-collision feature will detect and move the desk into opposite direction and stop. If the handset displays "E8", it is the desk inclination reminder and this code will disappear after 15 seconds.

If the handset displays E11 or E21, confirm that all wired connections are secured (legs to cables, cables to control box). Then perform the reset procedure above. If the error message persists after the reset procedure or if the height between the legs exceeds 5 cm (2 inches) stop the reset procedure and contact us.

If the handset displays "HOT", let the base rest and cool down for 20 minutes.

If the desk seems to be uneven, try the reset instructions above. If that does not work you may need to adjust the levelers at the bottom of the feet.

Common fault treatment

See fault codes below. If fault code is not listed below, please contact us. Only the manufacturer is capable of correcting these fault codes.

Error Code	Error Detail	What to do?
E4	Hand controller communication error	Check hand controller line
E6	Main power start error	Change controller box
E8	The table tilts when it is running	Reset
E09/Hot	High temperature	Wait for temperature to go down
E11	Motor 1 no connection	Check motor line
E12	Motor 1 current error	Change controller box
E13	Motor 1 lose phase line	Check motor line
E14	Motor 1 hall error	Check the sensor cable
E18	Motor 1 overload	Reduce the load
E21	Motor 2 no connection	Check motor line
E22	Motor 2 current error	Change controller box
E23	Motor 2 lose phase line	Check motor line
E28	Motor 2 overload	Reduce the load

i In the event of a power outage or if the power cord is unplugged, a manual reset may be necessary (see Reset Instructions above)

i This product is designed with a duty cycle of 10% (2 min. on, 18 min. off)

! Keep Children away from electric height-adjustable desks, control units and handsets. There is a risk of injury and electric shock

! Do not open any of the components: lifting columns, control box, or handset. There is a danger of electric shock

! Keep all electrical components away from liquids



Waste disposal



This marking indicates that this product should not be disposed with other household wastes. To prevent possible harm to the environment or human health from uncontrolled waste disposal, recycle it responsibly to promote the sustainable reuse of material resources. To return your used device, please use the return and collection systems or contact the retailer where the product was purchased. They can take this product for environmental safe recycling.