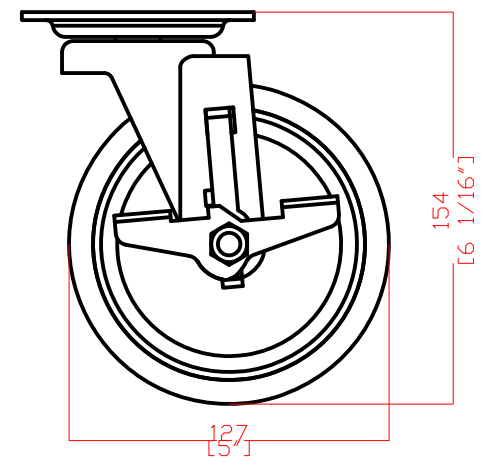
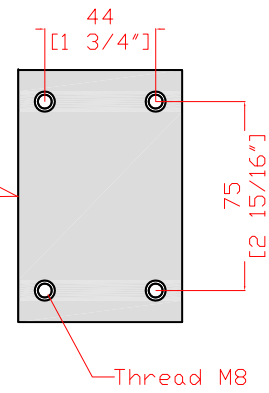


Specs for Caster Replacement:  
 Mount Height: 154mm  
 Wheel Diameter: 127mm  
 Weight Capacity: 120kg  
 Swivel/rigid: swivel  
 Brake: 2 casters



Expandable Drying Rack #215341 - Caster Replacement -			Ratio	1 : 1
Unit	mm		Date	2022.03.25
Material	Carbon Steel			
Finish	Powder coated		Page	of
		RICHELIEU HARDWARE		

		Date	Notes
--	--	------	-------