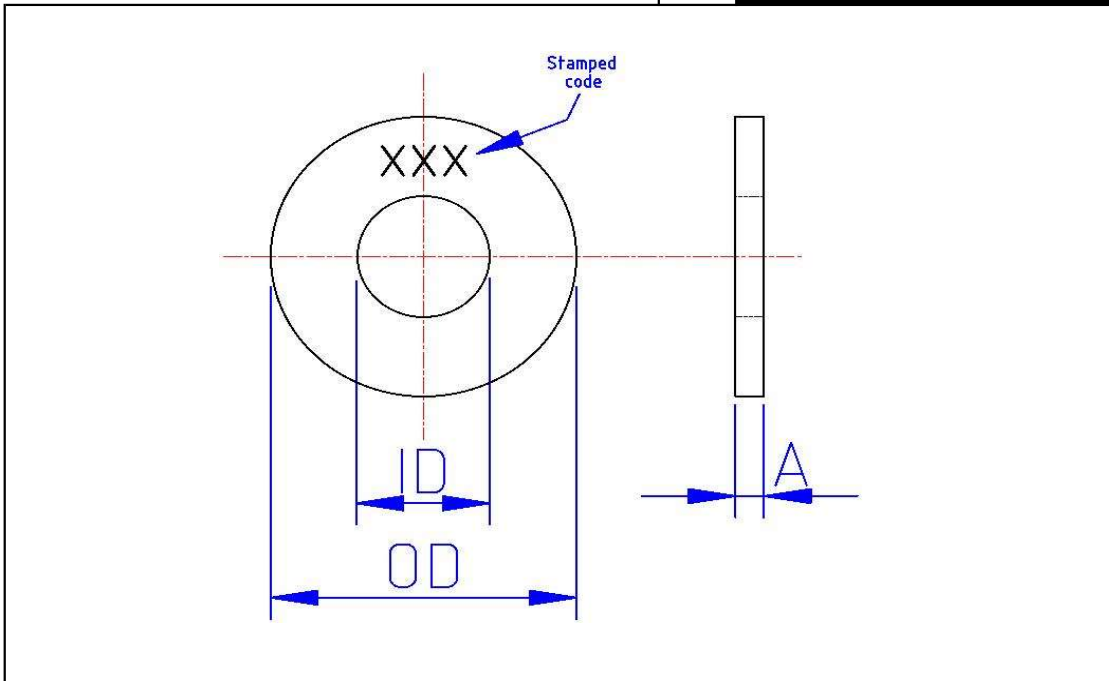




Brand	Root
	PWBLK...



ASME B18.21.1

unit: INCH

BOLT SIZE	ID		OD		A		
	Basic	INSIDE DIAM.	Basic	OUTSIDE DIAM.	THICKNESS		
1/4	5/16	Min	0.307	3/4	Min	0.727	0.051
		Max	0.327		Max	0.749	0.080
5/16	3/8	Min	0.370	7/8	Min	0.868	0.064
		Max	0.390		Max	0.905	0.104
3/8	7/16	Min	0.433	1	Min	0.993	0.064
		Max	0.453		Max	1.030	0.104
1/2	9/16	Min	0.557	1-3/8	Min	1.368	0.086
		Max	0.577		Max	1.405	0.132

"U.S.S." FLAT WASHER
 Black Epoxy ACQ Coating (SST 1000 hrs.) MAGNI or equivalent
 Washer follow the IFI Type A - Wide

Root= Plate Washer BLack

Bulk Label Description:

- English: "USS" FLAT WASHER, BLAK MAGNI
- French: RONDELLE PLATE "USS", NOIR MAGNI
- Spanish: ARANDELA PLANA "USS", MAGNI NEGRO

Date: 2 novembre 2021

Done By: P.B