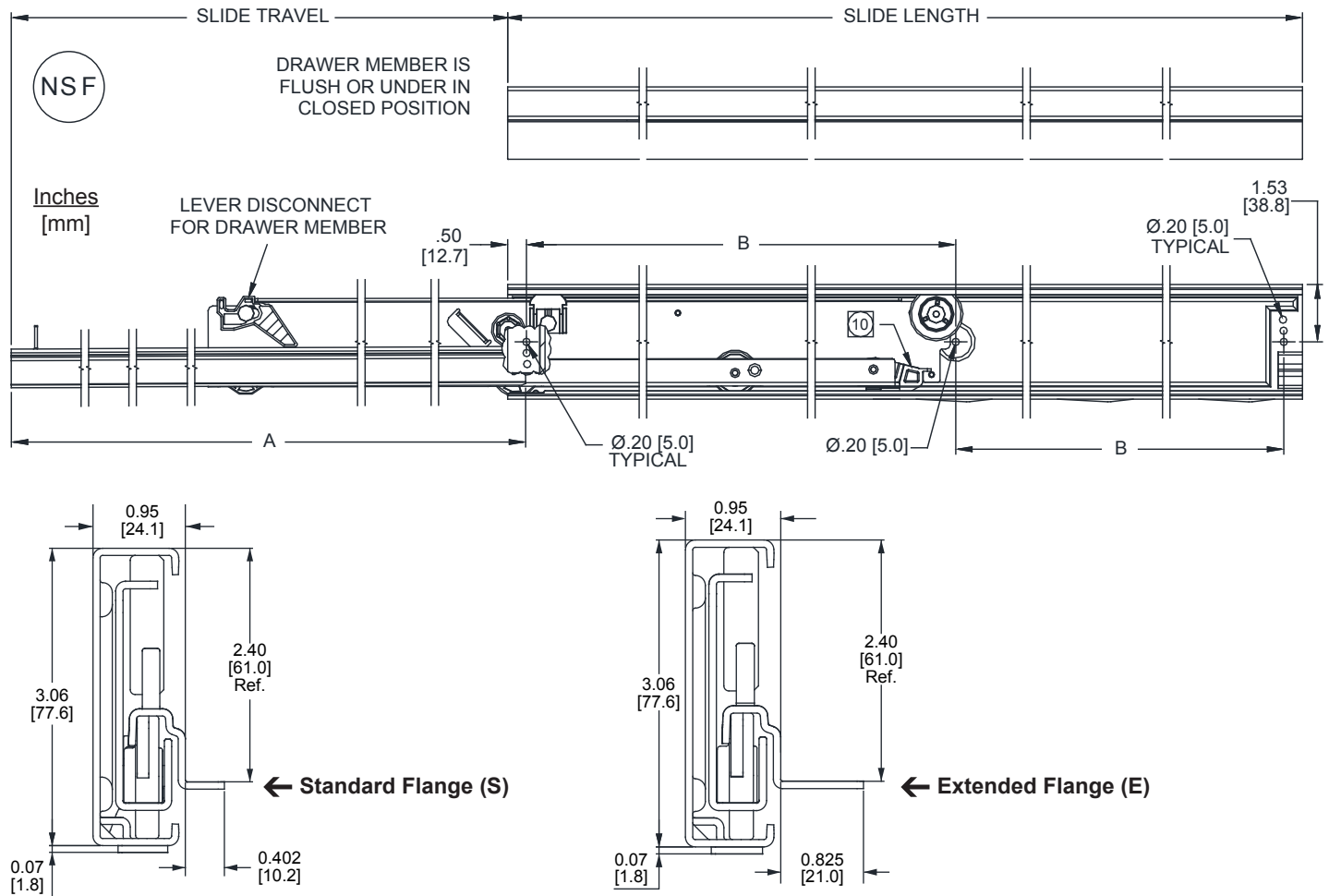


Accuride®

MODEL ST8201

APPLICATIONS: Designed for use in heated and refrigerated drawers and prep tables in food service that require routine cleaning and disassembly. **NSF-certified.**

Up to 275 lbs. [124.73 kg] Capacity*
Bottom-Mount



Material Stainless Steel (441)

Lengths Even lengths 16" - 30" [400 mm - 750 mm]

Travel Full Extension

Height 3.06" [77.6 mm]

Side Space .95" + .060"/-.020" [24.13 + 1.52/- .51]

Mounting Bottom-Mount

Hardware #10 hex (not included)

Movement Progressive Movement

Features Self-closing action, adjustable tilt-angle, auto-relock, NSF-certified and dishwasher-safe

Load Rating Up to 275 lbs.

Cycle Rating 300,000 cycles (Tested on 18" slides in a 30" wide drawer at gross load of 125 lbs.).

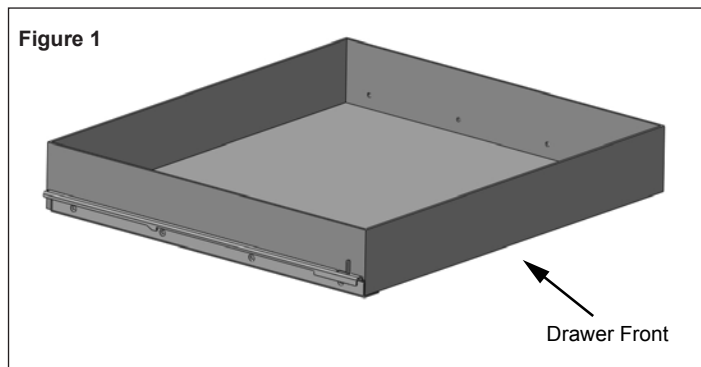
Operating Temperature Range -4°F to +176°F
[-20°C to +80°C]

Part Number	Slide Length	Slide Travel	A	B
8201-16	15.75 [400]	15.24 [387]	15.75 [400]	7.36 [187]
8201-18	17.72 [450]	17.20 [437]	17.72 [450]	8.35 [212]
8201-20	19.69 [500]	19.17 [487]	19.69 [500]	9.33 [237]
8201-22	21.65 [550]	21.14 [537]	21.65 [550]	10.31 [262]
8201-24	23.62 [600]	23.11 [587]	23.62 [600]	11.30 [287]
8201-26	25.59 [650]	25.08 [637]	25.59 [650]	12.28 [312]
8201-28	27.56 [700]	27.05 [687]	27.56 [700]	13.27 [337]
8201-30	29.53 [750]	29.02 [737]	29.53 [750]	14.25 [362]

Before starting the installation process, the slides must be disassembled into the individual three members. Extend the slide members and follow the steps as shown in Figure 5. Remove the intermediate member and then follow steps shown on Figure 11 and 12 to remove the intermediate member.

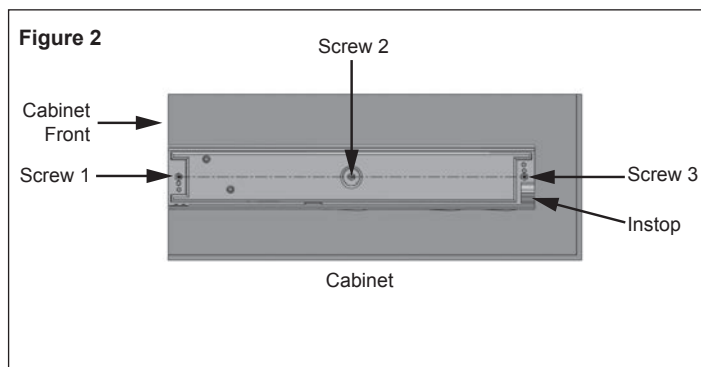
Drawer Member Mounting

To install the drawer member, use #8 undercut flathead screws. The use of all the mounting holes is recommended to ensure maximum load capacity. See Figure 1.

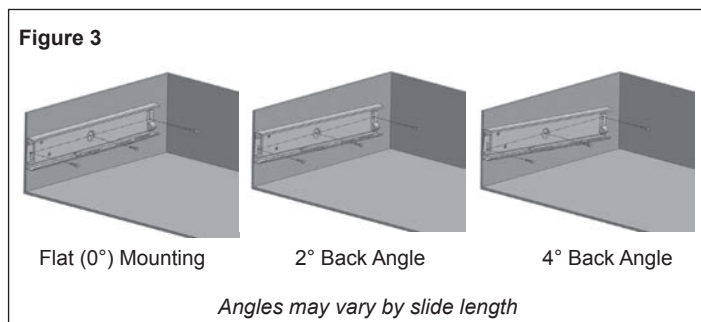


Cabinet Member Mounting

Align the cabinet member (outer member) at the proper height so that the drawer can be inserted with no interference. Install the cabinet member using #10 hex screws, and ensure slides are parallel. See Figure 2.

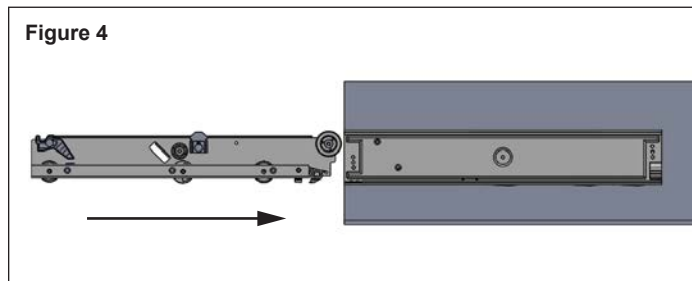


To modify angle, remove screws 1 and 3 and rotate around screw 2 to desired angle and reinstall, as shown in Figure 3.



Intermediate Member Insertion

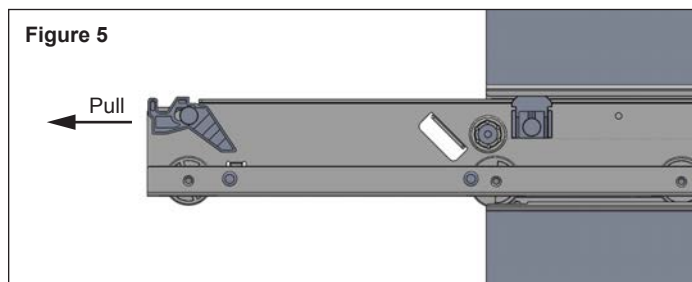
Insert intermediate member into the installed cabinet member, as shown in Figure 4.



Drawer Insertion

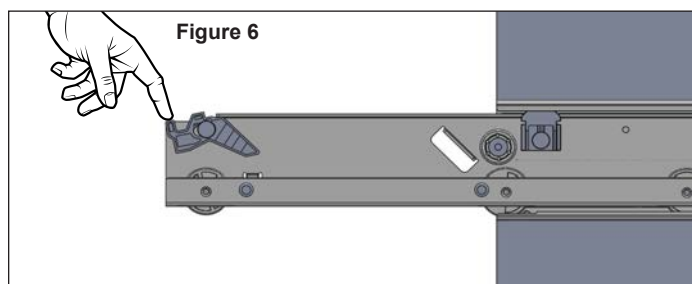
Before starting drawer insertion, ensure the following:

- Intermediate member should be nested inside cabinet member (outer member).
- Extend intermediate member and pull the locking lever as shown in Figure 5.

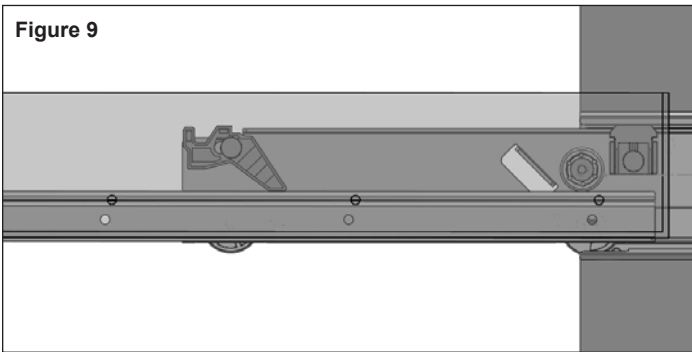
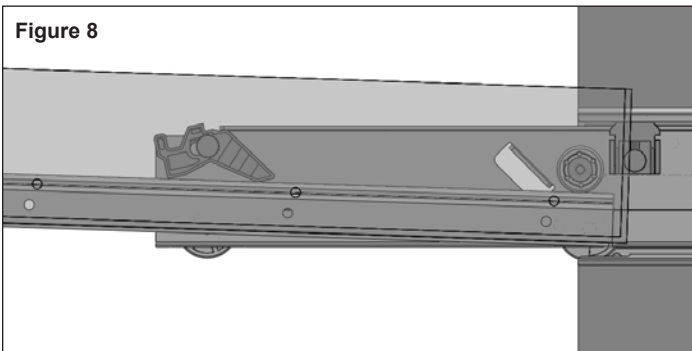
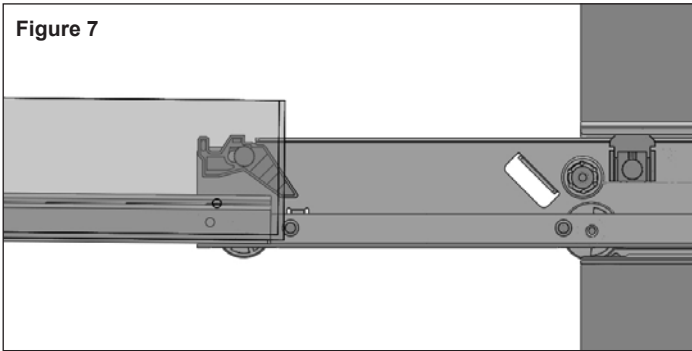


- Press down on the locking lever as shown in Figure 6. If it moves freely, it is unlocked.

WARNING: Locking lever must be unlocked to insert drawer.



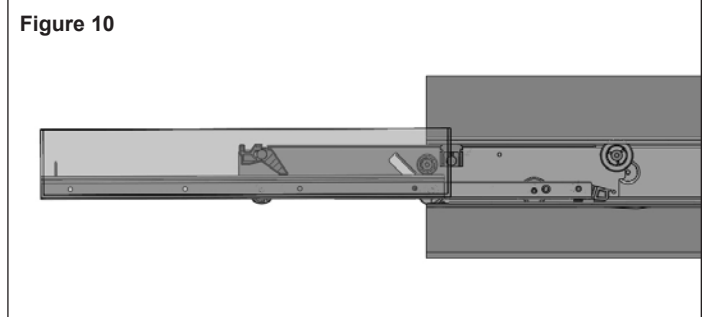
Once lever is unlocked, drawer insertion can begin. The drawer begins by riding over the rollers (Figure 7), then lifts past the stop to engage with the middle rollers (Figure 8). The drawer then stabilizes into the horizontal position (Figure 9).



NOTE: Upon drawer closure, drawer will automatically lock.

Drawer Removal

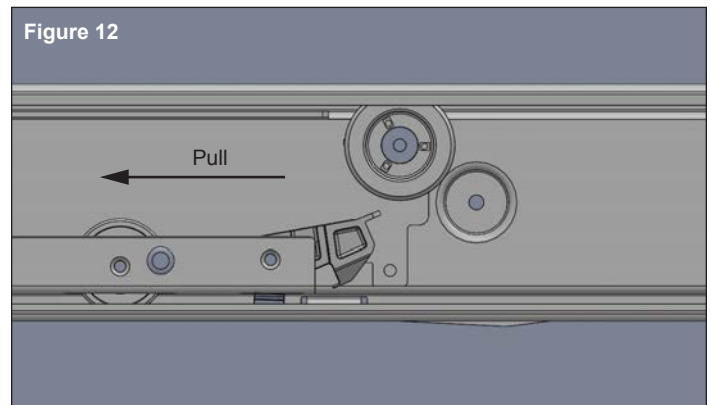
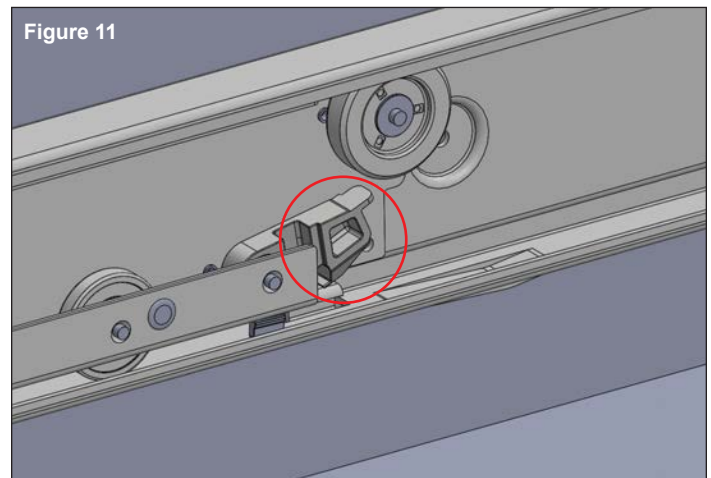
To remove drawer, fully extend unit, then unlock the locking lever by pulling (see Figure 10). Then lift out drawer and remove.



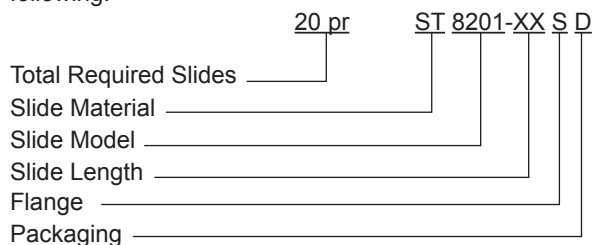
WARNING: Locking lever must be unlocked to remove drawer.

Intermediate Member Removal

Lift latch tab and pull (as shown on Figures 11 and 12).



Complete your order for Accuride Model ST8201 by specifying the following:



Flange options: S=Standard; E=Extended

Customer Supplied Hardware

Cabinet Member: #10 hex-head screws

Packaging Information

Distributor (D) Pack: Box quantities vary by length (hardware not included), one pair of slides packaged in a polybag with a technical sheet.

Slide lengths 16"-22" 8 slides per box
 24"-30" 4 slides per box

Bulk (P) Packaging: Quantities vary by length, slides only (hardware not included). Left and right hand slides packaged in separate boxes.

Slide lengths 16"-22" 8 slides per box
 24"-30" 4 slides per box

To order bulk pack specify ST8201-28S-L for the left hand and ST8201-28S-R for the right hand.

Specifications

Slide Members: 441 Stainless Steel

Rollers: Dupont™ Delrin® 100

NSF-certified

RoHS compliant

NOTE: Specifications, materials, prices, terms and delivery are subject to change without notice.



Accuride International Inc.

12311 Shoemaker Avenue
 Santa Fe Springs, CA 90670
 TEL (562) 903-0200
 FAX (562) 903-0208

Manufacturing, Engineering, and Sales
 United States • Germany • Japan •
 Mexico • United Kingdom • China

For the most current technical information visit www.accuride.com

⚠ WARNING: This product can expose you to chemicals including nickel, which is known to the State of California to cause cancer and birth defects or other reproductive harm. For more information go to www.P65Warnings.ca.gov.