

SUSPENSION SYSTEMS FOR CLOSETS

EASY TO MOUNT & STRONG SUPPORT



UNHANDED HANGING BRACKETS



No.	Installation Position	Mounting Type	Depth Adjustment	Height Adjustment	Load Rating/Unit	Finish
8041630	Right or Left	With screws	3/8" (10 mm)	5/8" (15 mm)	143 lb (65 kg)	White

Compatible with rail no. 875230 or 6029002G
Sold per unit



No.	Installation Position	Mounting Type	Depth Adjustment	Height Adjustment	Load Rating/Pair	Finish
60290161	Right and Left	With screws	5/8" (16 mm)	1/2" (12 mm)	198 lb (90 kg)	Brown
60290130						White

Compatible with rail no. 875230 or 6029002G
Sold per pair

CAN BE INSTALLED ON A RAIL OR ANCHOR.

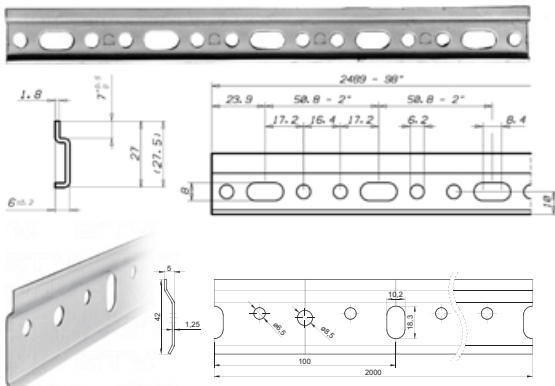
HANDED HANGING BRACKETS



No.	Installation Position	Mounting Type	Depth Adjustment	Height Adjustment	Load Rating/Unit	Finish
800140290	Right	With screws	1" (25 mm)	1" (25 mm)	154 lb (70 kg)	Black
800140230	Right					White
800140390	Left					Black
800140330	Left	With dowel	1" (25 mm)	1" (25 mm)	154 lb (70 kg)	White
800220290	Right					Black
800220230	Right					White
800220390	Left					Black
800220330	Left					White

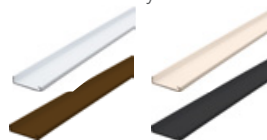
Compatible with rail no. 875230 or 6029002G
Sold per unit

HANGING RAILS



No.	Rail Thickness	Hole Ø	Depth	Length
875230	1/16" (1.8 mm)	- 1/4" (6.2 mm) - 3/8" x 3/8" (8.4 x 8 mm)	1/4" (6 mm)	8 5/32' (2489 mm)

Cover rails are compatible with rail no. 875230 only



No.	Finish	Length
883230	White	8' (2438 mm)
883240	Beige	
883260	Brown	
883290	Black	

No.	Rail Thickness	Hole Ø	Depth	Length
6029002G	1/16" (1.25 mm)	- 1/4" (6.5 mm) - 3/8" (8.5 mm) - 3/4" x 3/8" (18.3 x 10.2 mm)	3/16" (5 mm)	6 1/2' (2000 mm)



SUSPENSION SYSTEMS FOR CLOSETS



**EASY TO MOUNT
& STRONG SUPPORT**

HEAVY-DUTY HANGING BRACKETS



No.	Installation Position	Mounting Type	Depth Adjustment	Height Adjustment	Load Rating/Pair	Finish
602910022G	Right	With screws	5/8" (15 mm)	3/4" (18 mm)	260 lb (120 kg)	Zinc
602910032G	Left					

Compatible with rail no. **875230** or **6029002G**

Sold per unit

PLASTIC COVER CAPS SOLD SEPARATELY



Light Brown	White	Dark Brown	Installation Position
6029110361	6029110230	6029110260	Right
6029110261	6029110330	6029110360	Left



No.	Installation Position	Mounting Type	Depth Adjustment	Height Adjustment	Load Rating/Pair	Finish
8011022G	Right	With dowel	3/4" (19 mm)	3/4" (20 mm)	374 lb (170 kg)	Zinc
8011032G	Left					

Compatible with rail no. **875230**

Sold per unit

PLASTIC COVER CAPS SOLD SEPARATELY



White	Nickel	Beige	Installation Position
80100230	801002180	80100240	Right
80100330	801003180	80100340	Left

CONCEALED HANGING BRACKETS



No.	Installation Position	Mounting Type	Depth Adjustment	Height Adjustment	Load Rating/Pair	Finish
8163252G	Right	With dowel	3/8" (10 mm)	15/32" (12 mm)	143 lb (65 kg)	Zinc
816322G	Left					

Compatible with rail no. **875230**

Sold per unit



No.	Installation Position	Mounting Type	Depth Adjustment	Height Adjustment	Load Rating/Pair	Finish
8832310032G	Right	With dowel	1" (25 mm)	11/16" (18 mm)	160 lb (73 kg)	Zinc
8832311032G	Left					

Compatible with rail no. **875230**

Sold per unit

