

LEGGERO WINE PEGS

BOTTLE CAPACITY

Stores one 750 ml bottle per pair

WINE PEG DIMENSIONS

7 1/16" x 1/2"
(180 mm x 12,5 mm)

PRODUCT NO.

WP400010 Aluminum
WP400900 Matte Black
WP400165 Gold

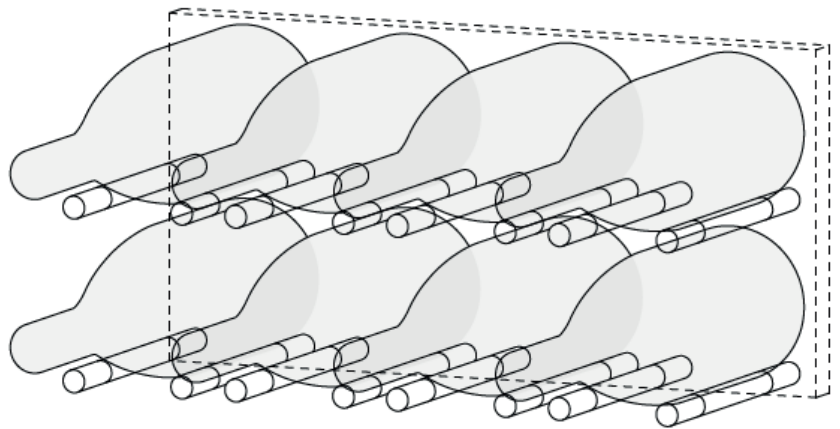
MATERIALS

- Anodized Aluminum
- Nitrile Rubber O-rings

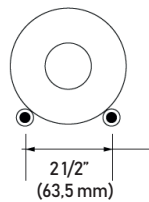
INSTALLATION OPTIONS

Wine pegs require a wall panel for secure installation. The panel thickness and design will determine the type of hardware required.

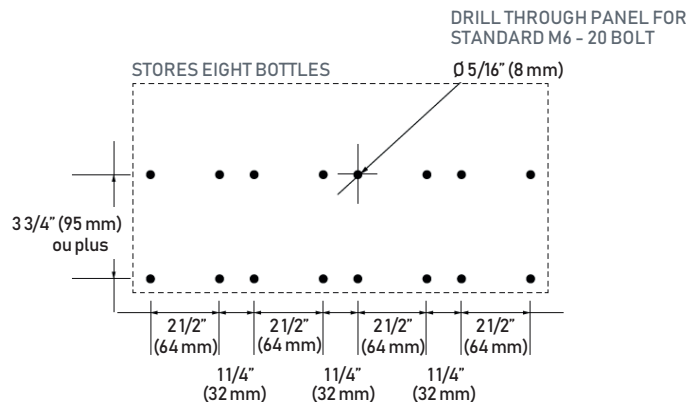
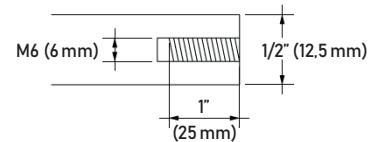
Refer to the installation instructions manual



LAYOUT DIMENSIONS



THREAD DIMENSIONS



PIENO WINE PEGS

BOTTLE CAPACITY PER ROW

X pegs = X-1 bottles

3 pegs:

stores two 750 ml bottles

6 pegs:

stores five 750 ml bottles

9 pegs:

stores eight 750 ml bottles

WINE PEG DIMENSIONS

7 1/16" x 1"

(180 mm x 24 mm)

PRODUCT NO.

WP500010 Aluminum

WP500900 Matte Black

WP500165 Gold

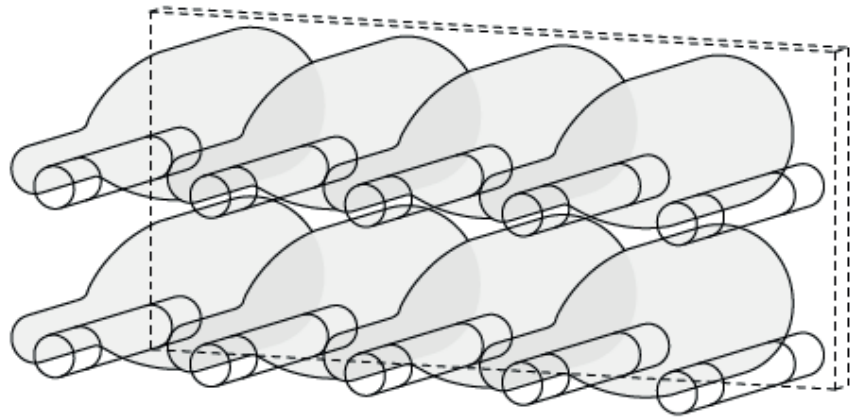
MATERIALS

- Anodized Aluminum
- Nitrile Rubber O-rings

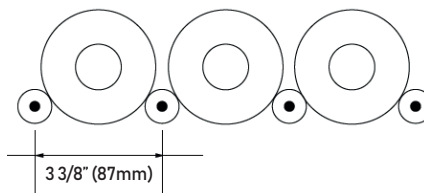
INSTALLATION OPTIONS

Wine pegs require a wall panel for secure installation. The panel thickness and design will determine the type of hardware required.

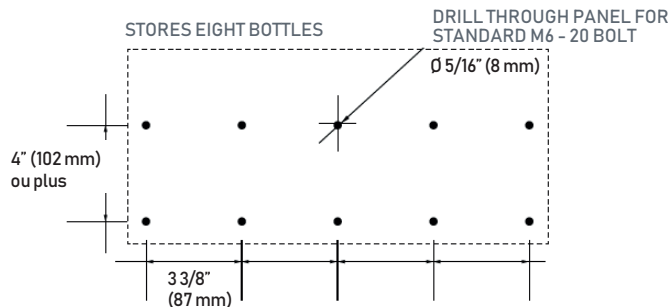
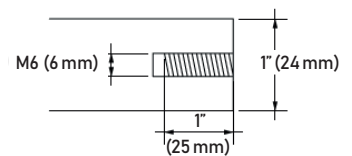
Refer to the installation instructions manual



LAYOUT DIMENSIONS



THREAD DIMENSIONS





VITIGNO 1 WINE PEGS

BOTTLE CAPACITY

Stores one 750 ml bottle per pair

WINE PEG DIMENSIONS

3 3/8" x 3/4"
(85 mm x 19 mm)

PRODUCT NO.

WP601010 Aluminum
WP601900 Matte Black
WP601165 Gold

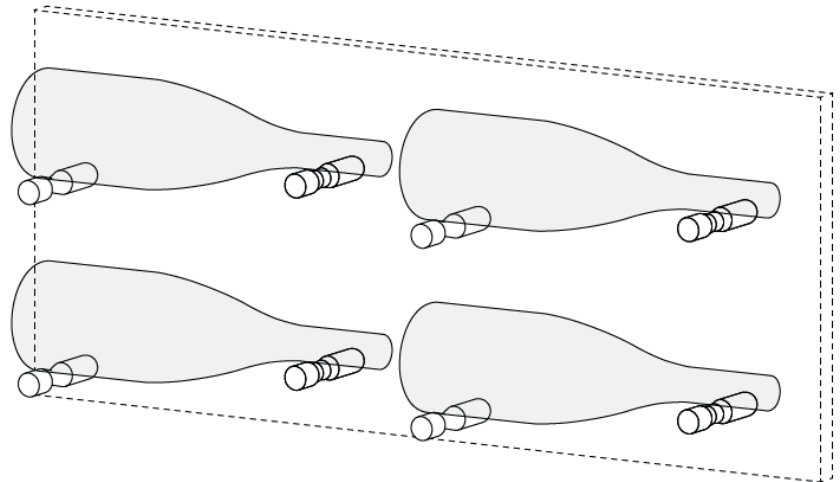
MATERIALS

- Anodized Aluminum
- Silicone Rubber O-rings

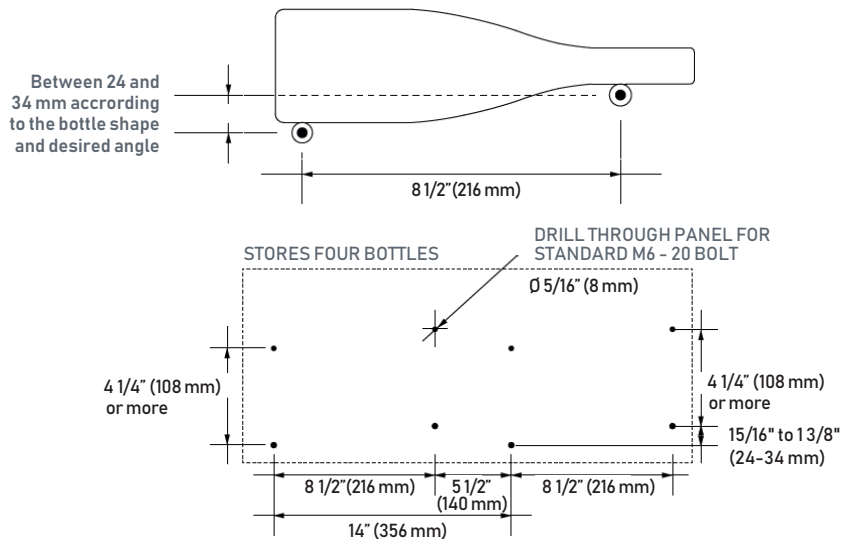
INSTALLATION OPTIONS

Wine pegs require a wall panel for secure installation. The panel thickness and design will determine the type of hardware required.

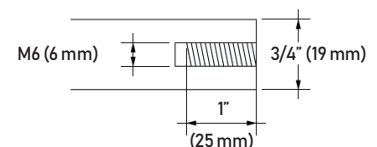
Refer to the installation instructions manual



LAYOUT DIMENSIONS



THREAD DIMENSIONS





VITIGNO 2 WINE PEGS

BOTTLE CAPACITY

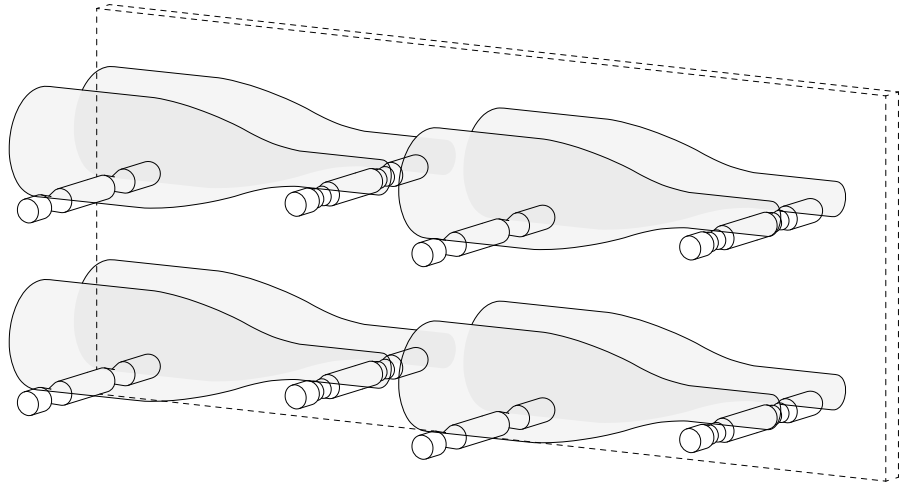
Stores two 750 ml bottles per pair

WINE PEG DIMENSIONS

7 1/16" x 3/4"
(180 mm x 19 mm)

PRODUCT NO.

WP602010 Aluminum
WP602900 Matte Black
WP602165 Gold



MATERIALS

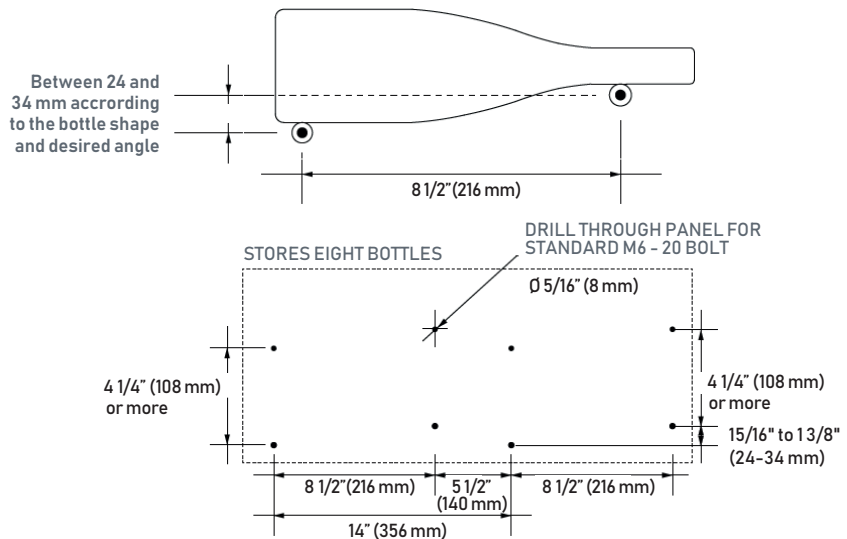
- Anodized Aluminum
- Silicone Rubber O-rings

INSTALLATION OPTIONS

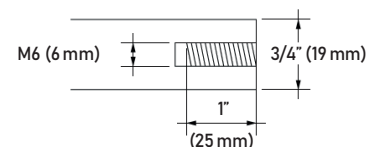
Wine pegs require a wall panel for secure installation. The panel thickness and design will determine the type of hardware required.

Refer to the installation instructions manual

LAYOUT DIMENSIONS



THREAD DIMENSIONS





VITIGNO 3 WINE PEGS

BOTTLE CAPACITY

Stores three 750 ml bottles per pair

WINE PEG DIMENSIONS

11 13/16" x 3/4"
(275 mm x 19 mm)

PRODUCT NO.

WP603010 Aluminum
WP603900 Matte Black
WP603165 Gold

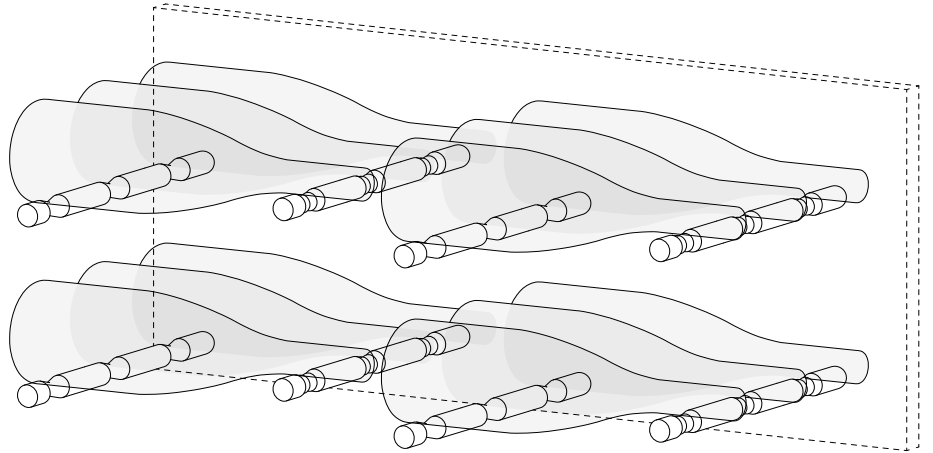
MATERIALS

- Anodized Aluminum
- Silicone Rubber O-rings

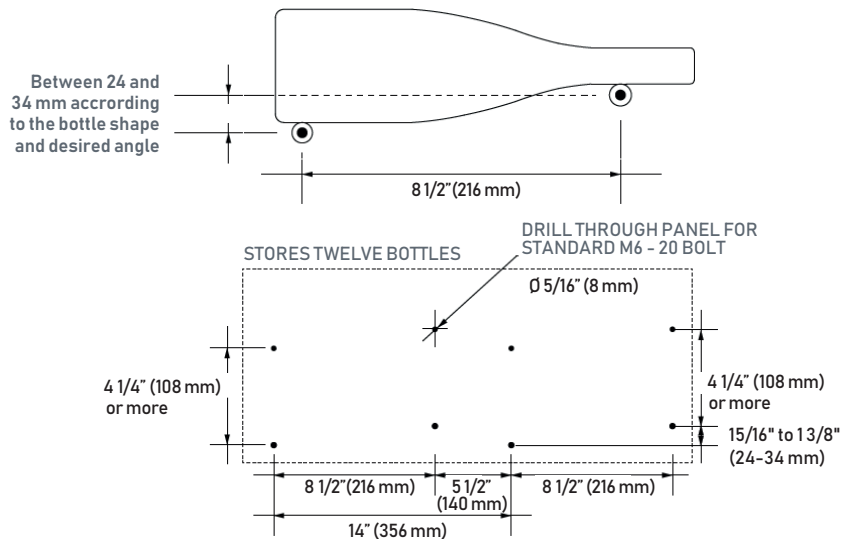
INSTALLATION OPTIONS

Wine pegs require a wall panel for secure installation. The panel thickness and design will determine the type of hardware required.

Refer to the installation instructions manual



LAYOUT DIMENSIONS



THREAD DIMENSIONS

