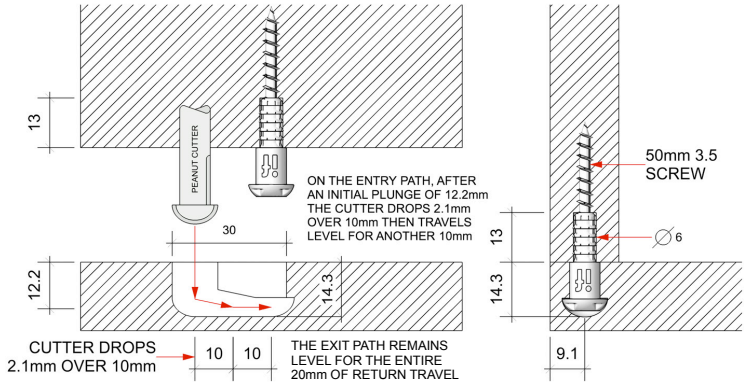
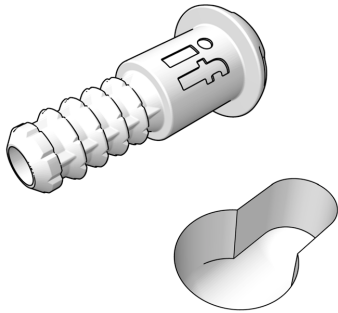
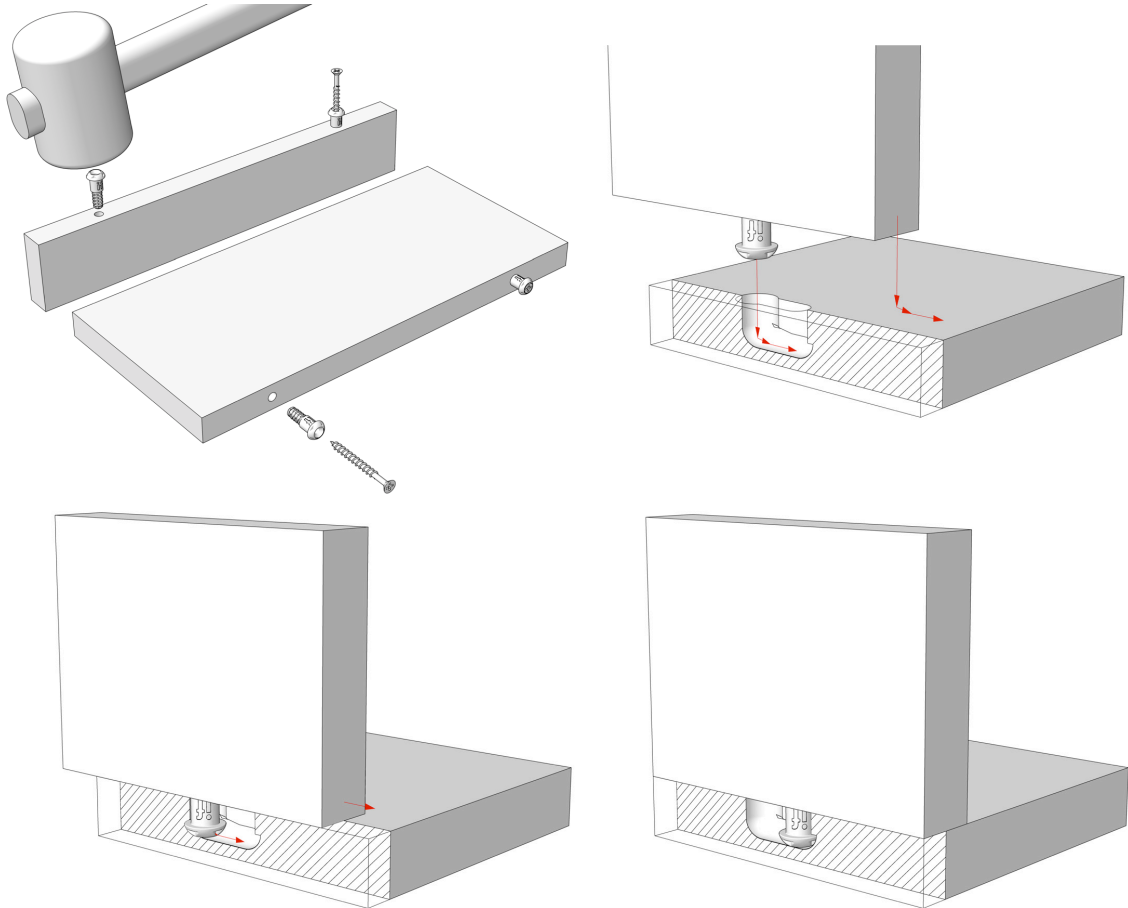




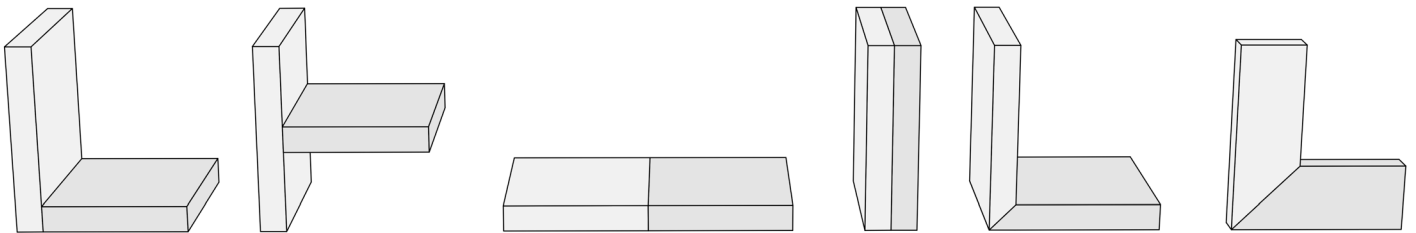
Machining



Assembly



Applications





Technical Specifications

PEANUT® 2 Technical data

COMPONENT COMPOSITION	GLASS-FIBRE REINFORCED PLAST
MATERIAL THICKNESS	>15.3MM
TOLERANCE (PEANUT® CUTTER SLOT)	+0.3mm and -0.4mm (DEPTH)

Strength Data

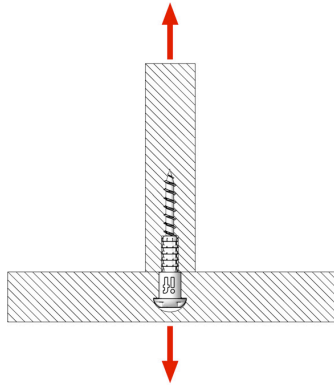


Fig. A

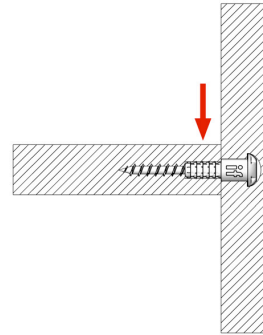


Fig. B



PEANUT® 2 Tensile strength (based on 1 component):

TESTED BY:

MATERIAL	TENSILE STRENGTH (Fig. A)
PARTICLE BOARD (18mm MFC) from EGGER	900 N / 90 KG (1 COMPONENT)
MDF (18mm)	1000 N / 100 KG (1 COMPONENT)

PEANUT® 2 Shear strength (based on 1 component):

TESTED BY:



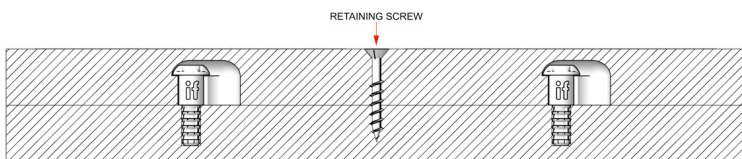
MATERIAL	SHEAR STRENGTH (Fig. B)
PARTICLE BOARD (18mm MFC) from EGGER	670 N / 67 KG (1 COMPONENT)
MDF (18mm)	930 N / 93 KG (1 COMPONENT)

PLEASE NOTE THAT THE STRENGTH MAY VARY DEPENDING ON MATERIAL AND QUALITY OF MATERIAL USED.

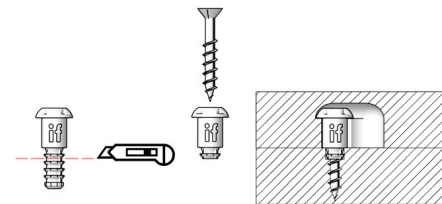
PEANUT® 2 TOOLING REQUIREMENTS:

IF SOLID CARBIDE PEANUT CUTTER	MAX RPM 14000	CREATES 6500+ SLOTS (BASED ON MELAMINE FACED PARTICLE BOARD) THIS TOOL CANNOT BE SHARPENED
6mm SOLID CARBIDE DRILL		ANY 6mm DRILL WILL WORK (WE HAVE A SOLID CARBIDE DRILL GIVES BEST RESULTS)

PEANUT® 2 OTHER APPLICATIONS:



Use the **PEANUT® 2** without the 50mm screw for non-structural location and alignment of drawer fronts, side panels and other work pieces face to face.



CUT P2 DOWN
Cut down and use with shorter screws for a more permanent face to face solution.