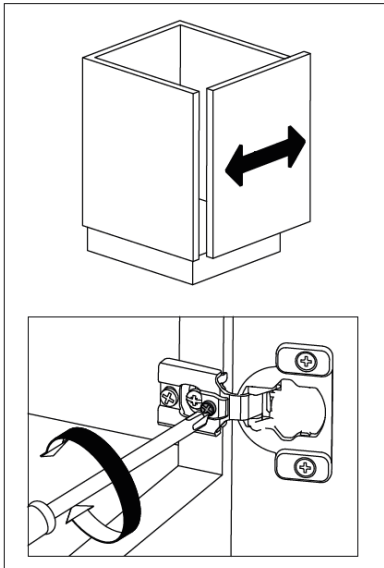
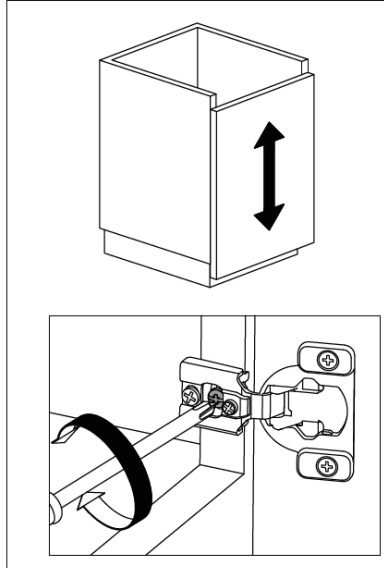


### ADJUSTMENTS

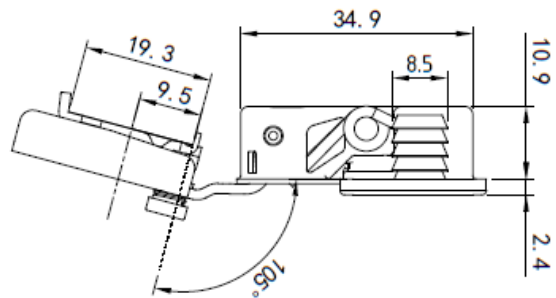
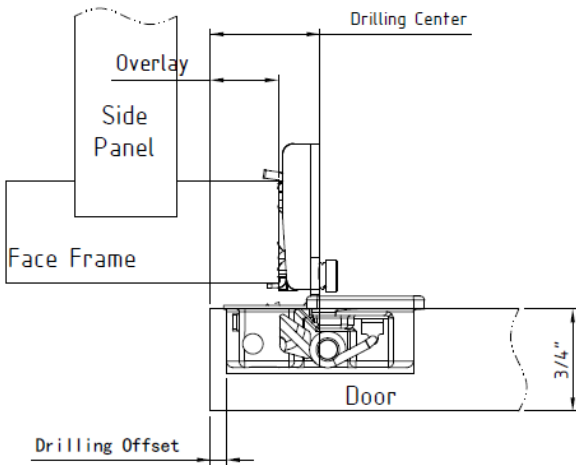
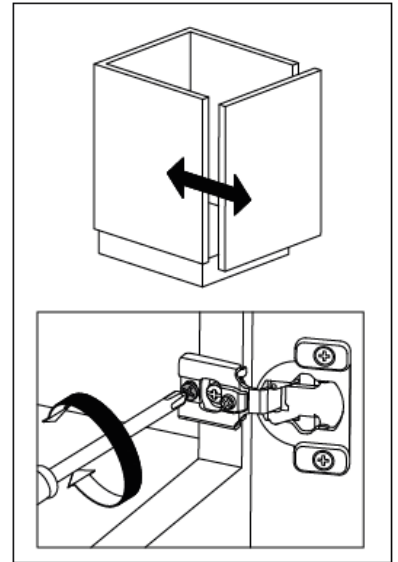
Side Adjustment  
[-1.5, +1.5]mm



Height Adjustment  
[-3, +3]mm



Depth Adjustment  
[-0.2, +2.0]mm



1/2" Compact Hinge Door Drilling vs. Overlay

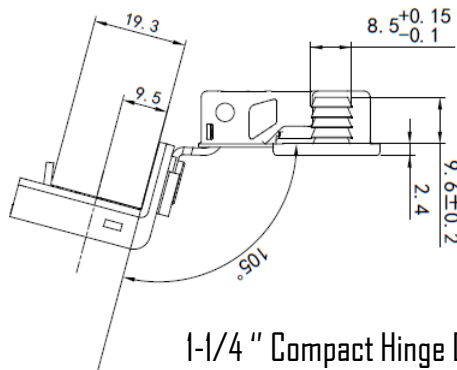
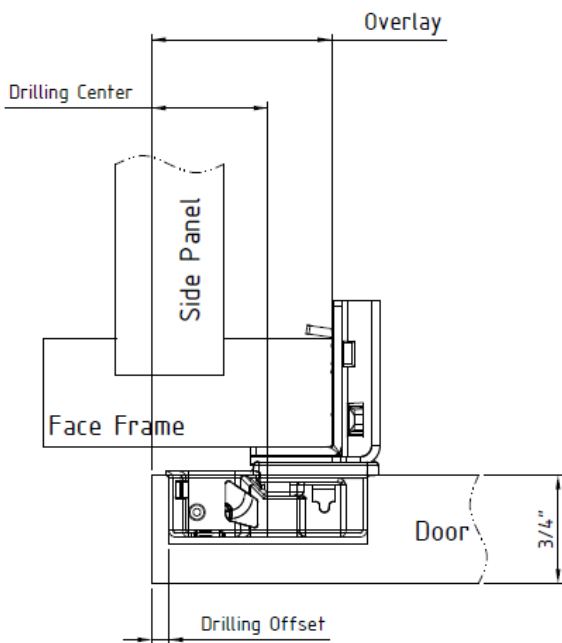
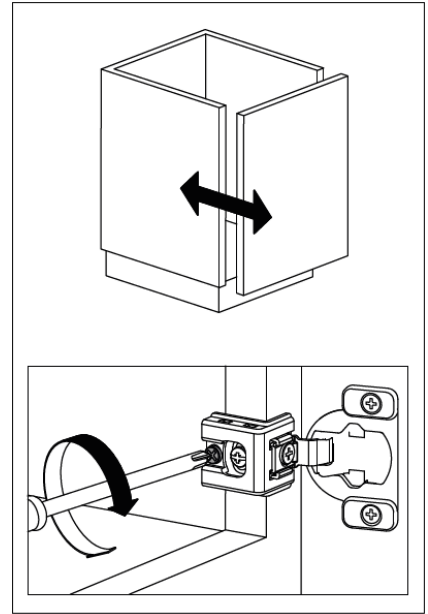
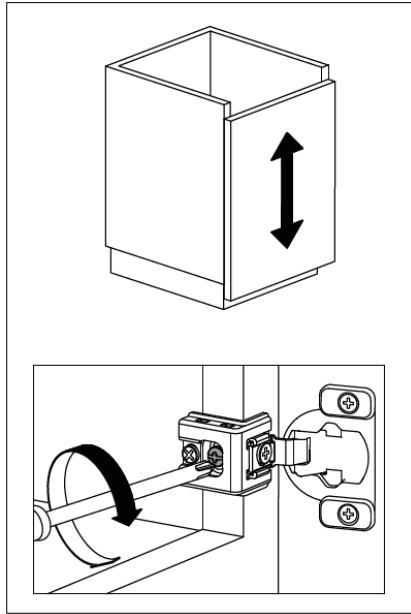
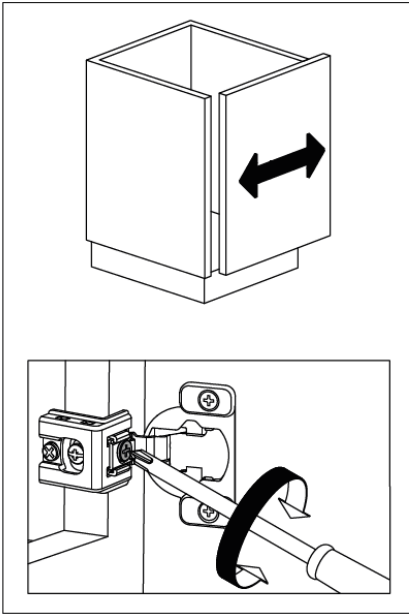
#RFF30120050 #RFF30120058 #RFF30120040 #RFF30120048		
DOOR DRILLING OFFSET	DOOR DRILLING CENTER	COVERAGE
2.0	19.5	11.7
2.5	20.0	12.2
3.0	20.5	12.7
3.5	21.0	13.2

### ADJUSTMENTS

Side Adjustment  
[-1.9, +1.9]mm

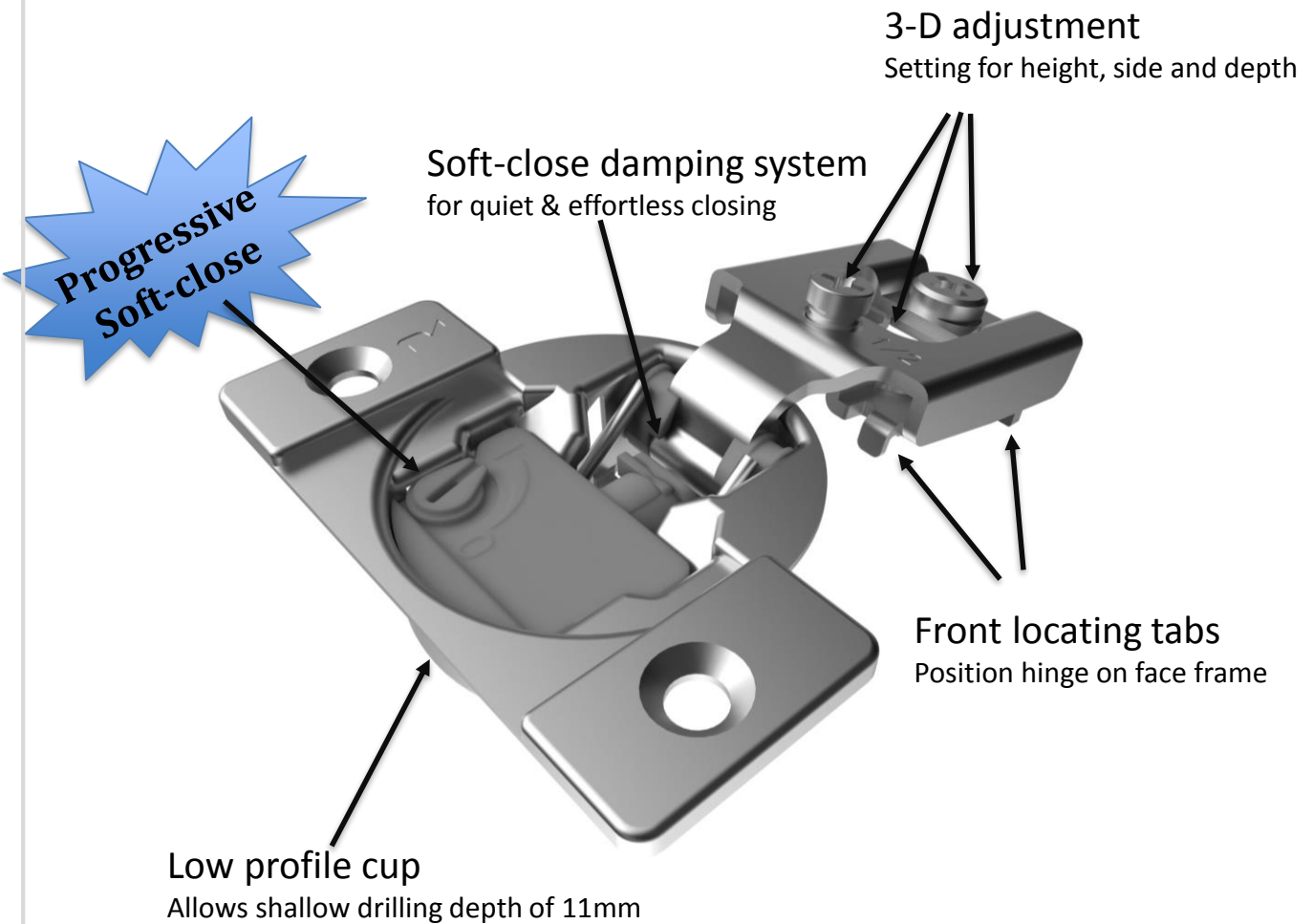
Height Adjustment  
[-3, +3]mm

Depth Adjustment  
[-0.2, +2]mm



1-1/4" Compact Hinge Door Drilling vs. Overlay

#RFF31140050 #RFF31140058 #RFF31140040 #RFF31140048		
DOOR DRILLING OFFSET	DOOR DRILLING CENTER	COVERAGE
2.0	19.5	30.75
2.5	20.0	31.25
3.0	20.5	31.75
3.5	21.0	32.25



**KCMA approved**