

BAFFLE SYSTEME



Cassiope stands out for its elegance and beauty

The Cassiope design is part of our new acoustical baffles collection called Constellation, by FeltKultur. It is a very interesting decorative line if you want to have a creative and unique interior design.

Sound absorption :

The internal triangular shape improves noise attenuation while its overall hexagon shape allows sound absorption on all sides. The air space inside gives it good acoustic properties. Thanks to our Duotex acoustic felt, the noise is filtered and attenuated.



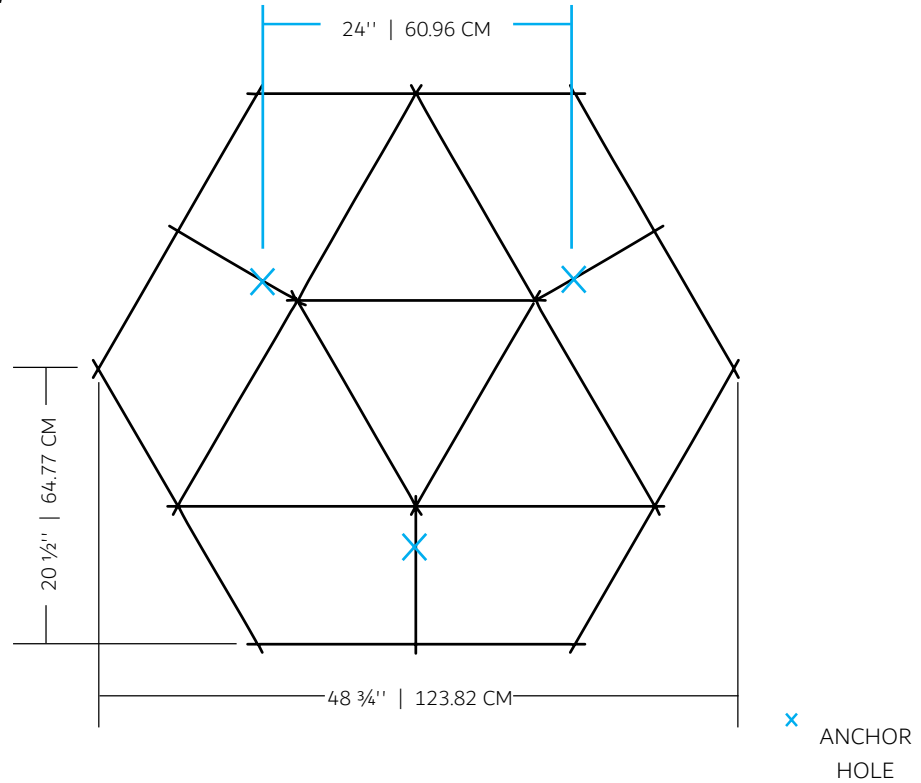
APPLICATIONS

- Stores
- Restaurants
- Conference room

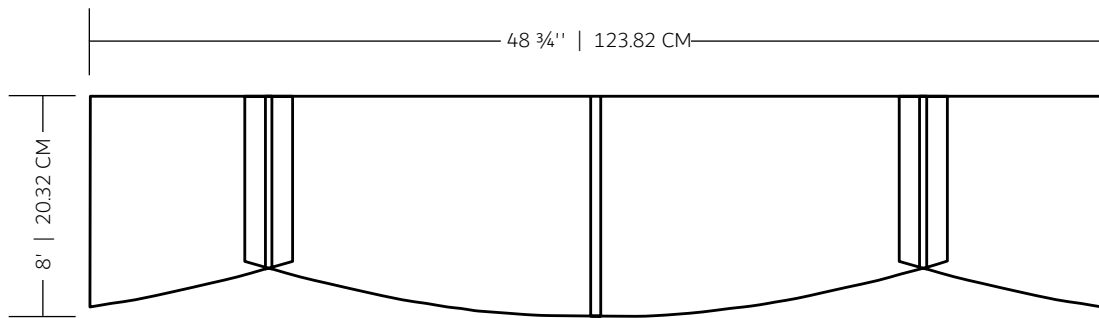
ADVANTAGES

- Made of 100% polyester, with up to 50% recycled PET fibers depending on the color.
- Fire resistance ASTM-E84, CLASS A

TOP VIEW



SIDE VIEW



PRODUCT #: NI4COCASR44
DÜOTEX 6.4MM

PRODUCT IDENTIFICATION

PRODUCT	Düotex 6.4mm (1/2") FR	FINISHING TREATMENT	Fire retardant
DESCRIPTION	Düotex 6.4mm architectural series	COATING TYPE	Latex
PRODUCT TYPE	Needlepunch nonwoven	CUTTING STYLE	Raw panel
FIBER COMPOSITION	Polyester		

FIRE RESISTANCE*

ASTM E-84	FSI : Class A	SDI : Class A
CAN/ULC-S102	FSR : 20	SDC : 420

PROPERTY TARGET MIN MAX UNITS METHOD FREQUENCY

Thickness - Mean (man. - 10 oz)	6.4 (1/2")	5.9	6.9	mm	ASTM-DS729/MOD	1/skid
Surface weight - Mean (sla 6.9 cm)	1100	1000	1200	g/m ²	ASTM-S3776/MOD	1/skid

ACOUSTIC ASTM C423**

INDEX	NO AIR GAP	WITH 25.4MM (1") AIR GAP
SAA	0.23	0.34
NRC	0.23	0.34

