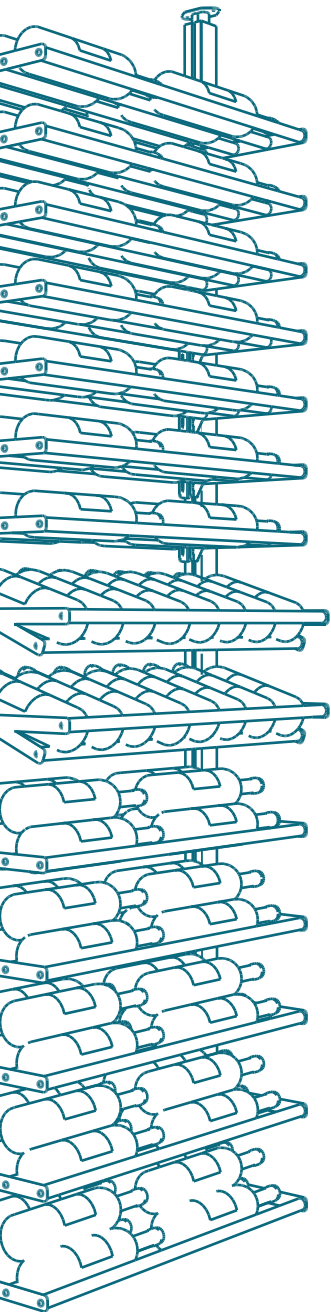




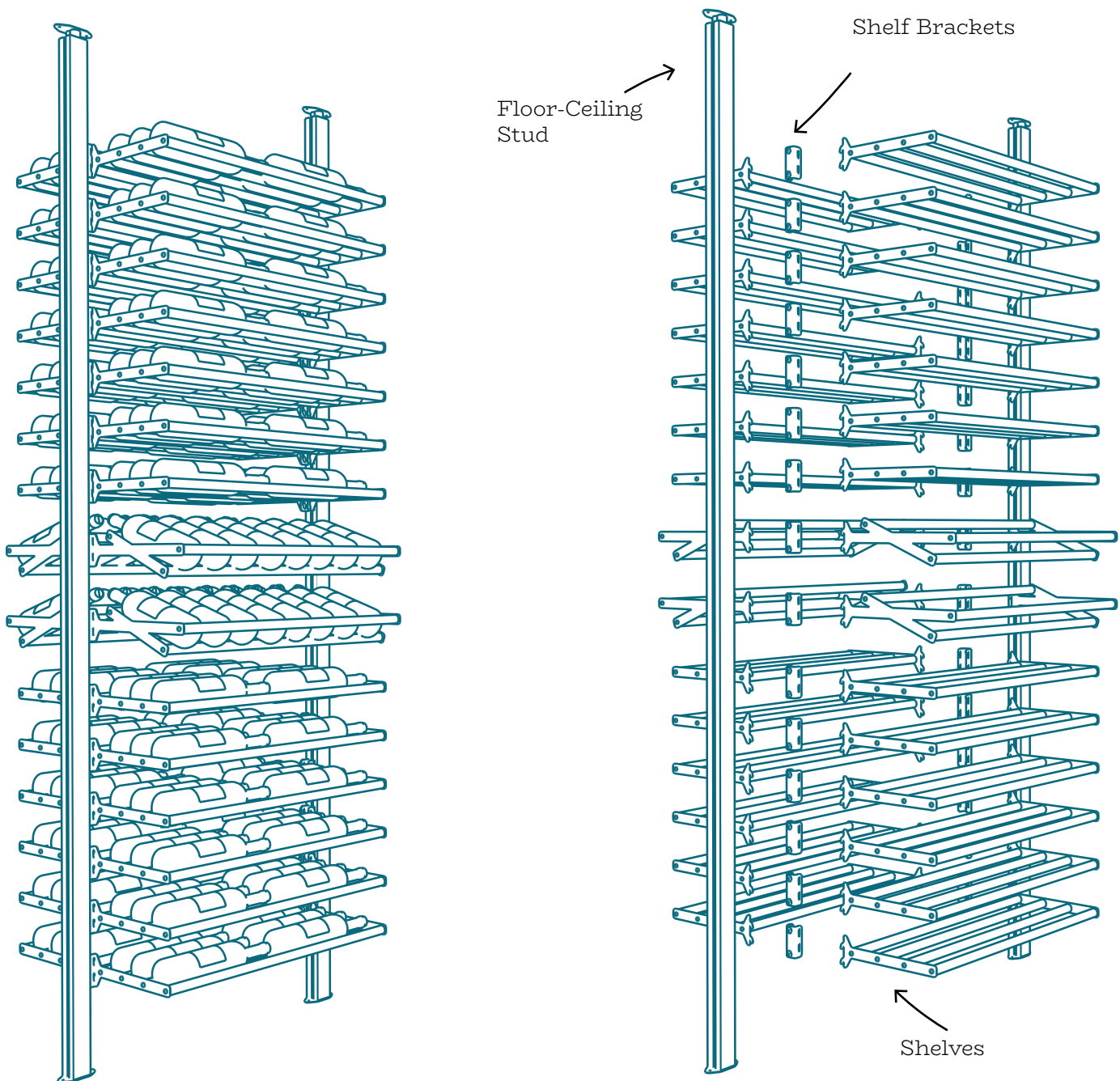
Create your own FRONTENAC module

**Selection guide -
Design your
own module**



Anatomy of the Frontenac

The Frontenac is the modular wine bottle storage system *par excellence*. The Frontenac offers impressive design possibilities. In this guide, you will find all the information you need to select and configure your Frontenac module.

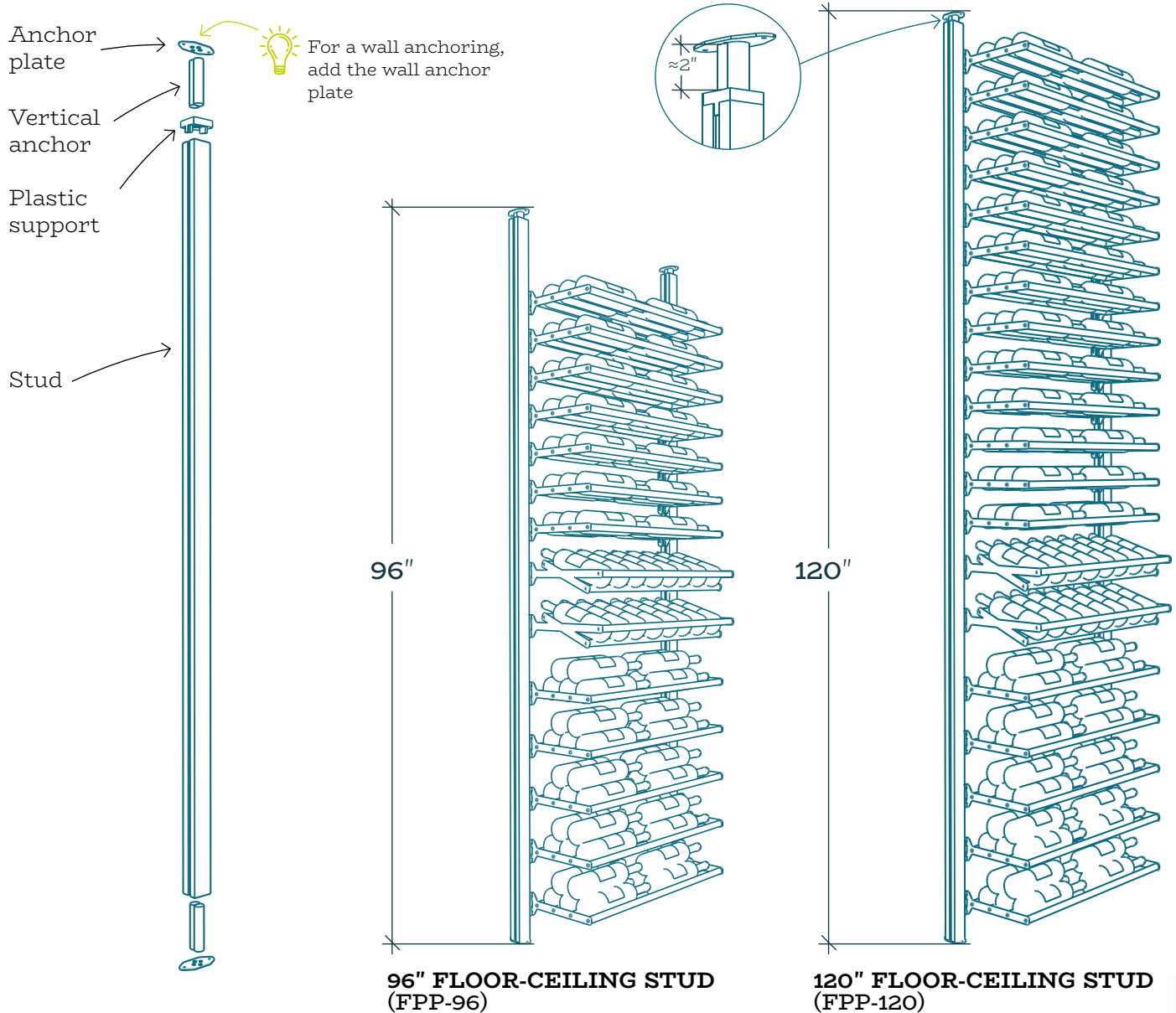


STEP 01 Module height

To begin, you must measure the height of your room and determine the type of mounting required.

HEIGHT

Frontenac floor-ceiling studs are available in two standard heights of 96" and 120". Made of aluminum, the studs are easy to cut and the vertical anchors offer an adjustment of about 2" at the ceiling level. The floor-ceiling studs include anchor plates, vertical anchors, the plastic support and the vertical stud. The stud can also be anchored to the wall using a wall bracket that is sold separately. Depending on your space, the anchor plates can be positioned in parallel or perpendicular to the shelves.

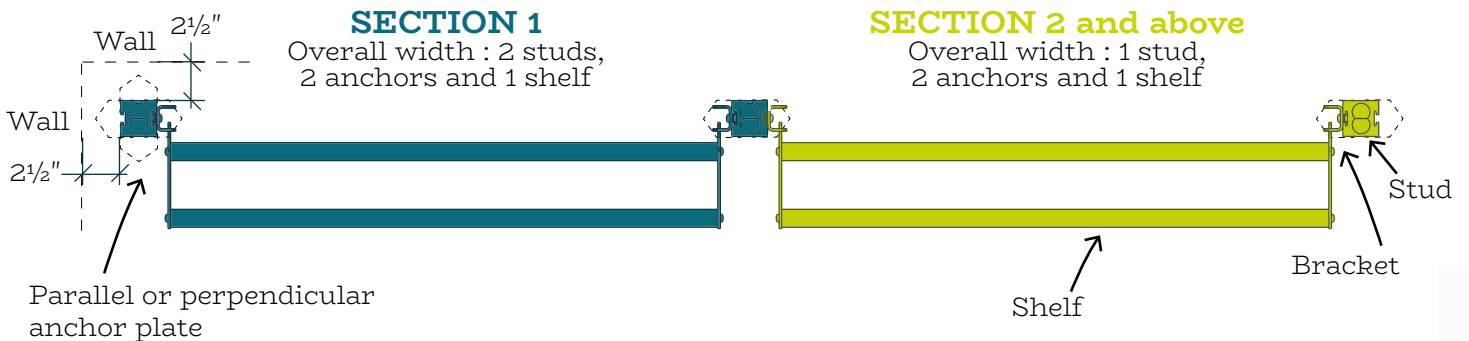
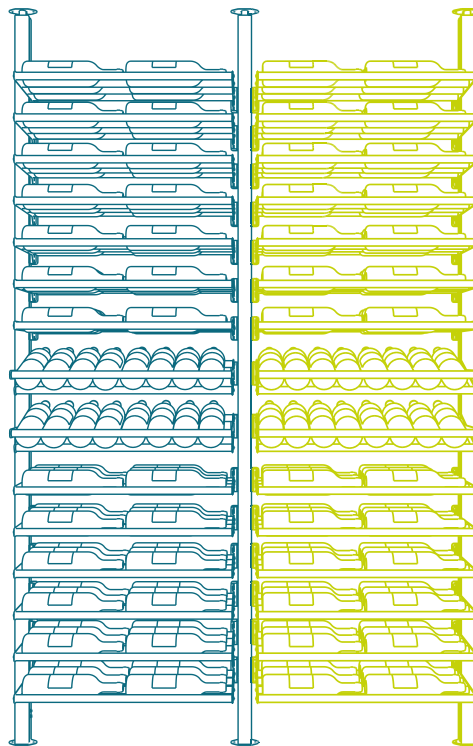


STEP 02 Shelf and section width

At this stage, you must determine the shelf width and the number of sections required to create a Frontenac module adapted to your space.

SECTIONS

A section is made up of shelves, brackets and studs. The width of a section is determined by the total width of these three components. The actual overall measurements below will help you determine the shelf width required to create a module customized to your space. Always leave a at least 2 1/2" around the outside studs. This clearance provides the space necessary for the floor and ceiling anchor plates in any direction, or for the wall anchor plates.



SHELVES

Frontenac shelves come in three standard widths of 14", 27" or 41".

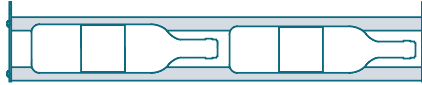
14" SHELF

Width of
1 bottle



27" SHELF

Width of
2 bottles



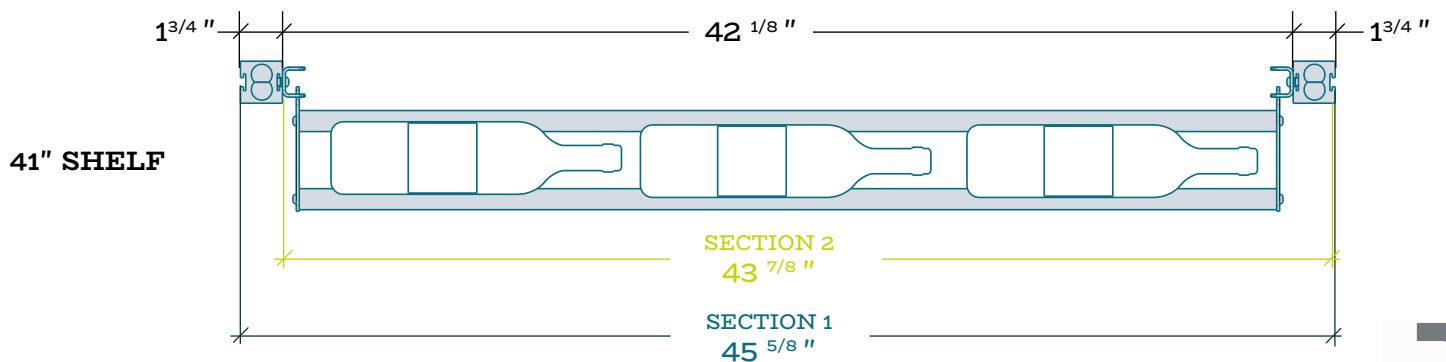
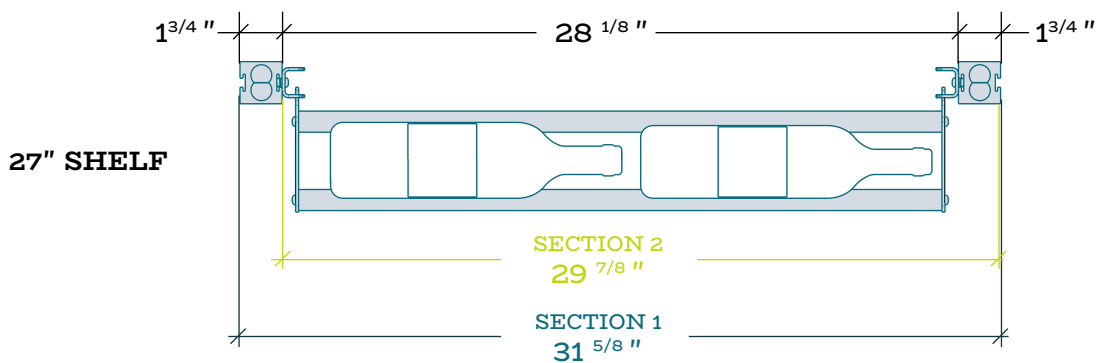
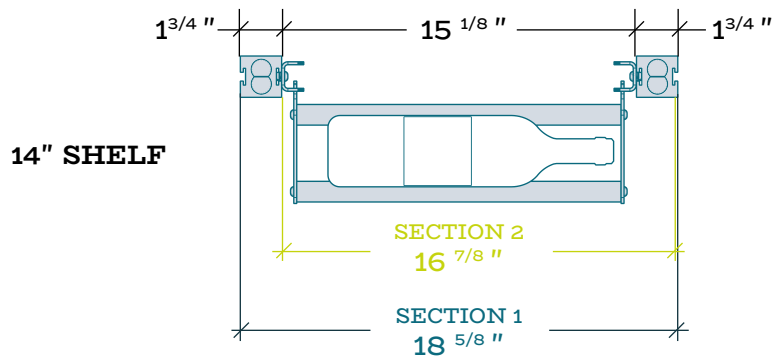
41" SHELF

Width of
3 bottles



DIMENSIONS

The Frontenac offers the possibility of assembling sections of different widths. By combining several sections, you can create a module adapted to your space.



STEP 03

Configuration and depth

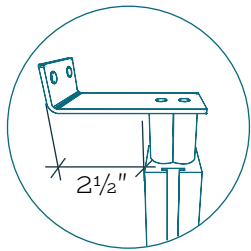
Depending on your space, your Frontenac module can be configured one of two ways.

CONFIGURATION

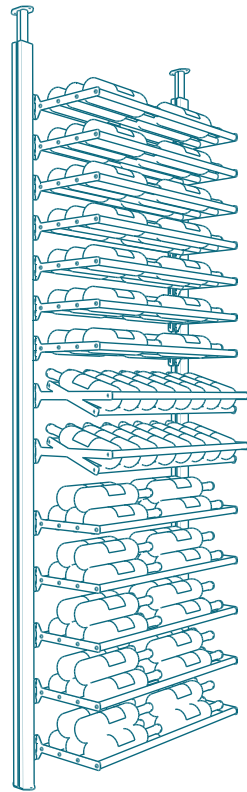
The Frontenac's central bracket system gives you the option of choosing single-sided or double-sided shelves, depending on the depth of your space and the desired presentation style.

SINGLE-SIDED SHELF

For smaller spaces or wall mounting*

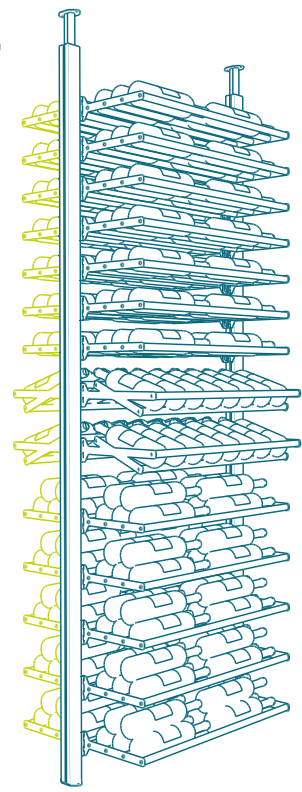


* For a wall mounting, leave 2 1/2" between the wall and the stud.



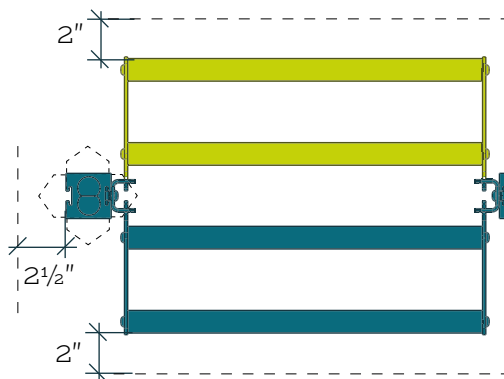
DOUBLE-SIDED SHELF

For optimal storage capacity and display potential



SIDES

The overall depth measurements include the studs, shelf brackets and shelves. A single set of shelf brackets is sufficient for a double-sided shelf configuration. It is recommended to leave a 2" clearance between the shelves and the wall.



2nd SHELF
Depth equals one shelf

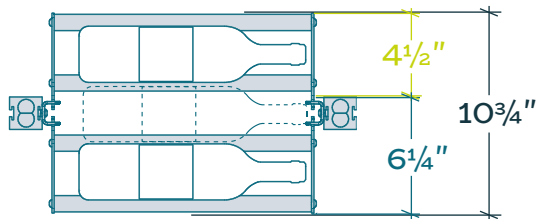
1st SHELF
Depth equals one shelf, shelf brackets and studs

DEPTH

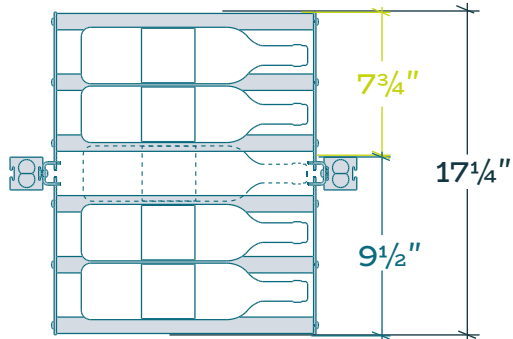
The Frontenac allows you to choose different depth configurations. You can also choose to have the same shelves or different ones on both sides. The depth measurements for the various shelves are included below.

HORIZONTAL

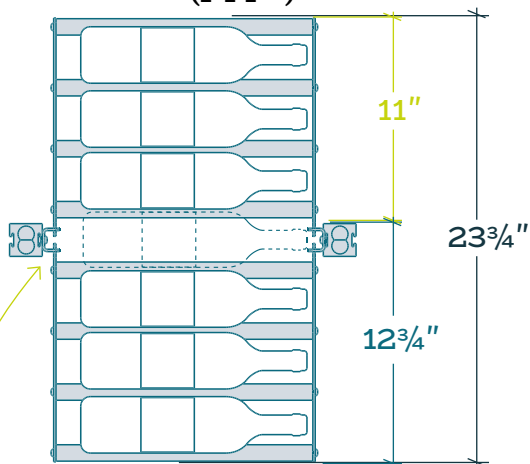
**SINGLE SHELF
(FTS-)**



**DOUBLE SHELF
(FTD-)**



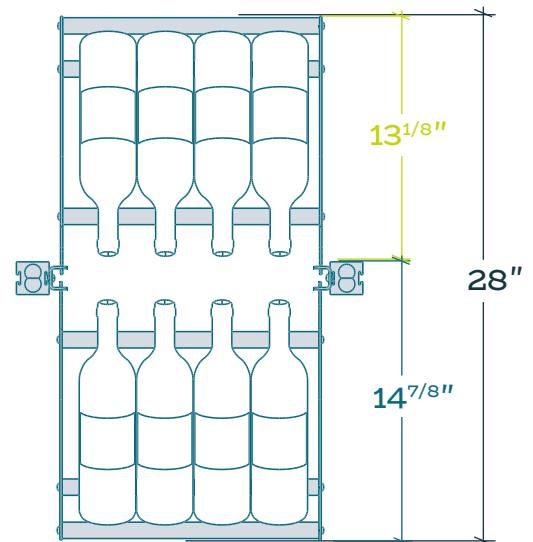
**TRIPLE SHELF
(FTT-)**



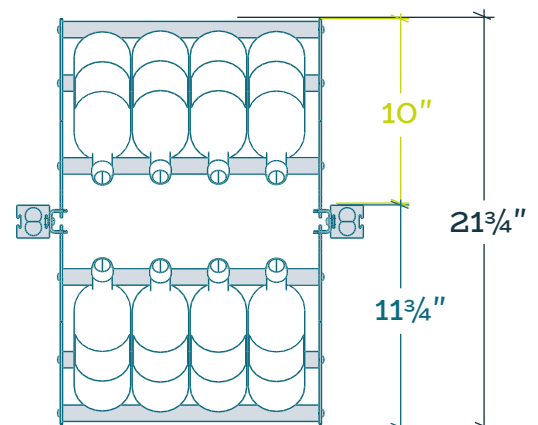
With horizontal shelves, an additional bottle can be added in the centre!

ANGLED

**CONSERVATION SHELF
(FTIC-)**



**PRESENTATION SHELF
(FTIP-)**



STEP 04 Shelves and clearance

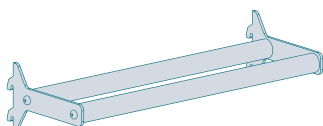
Choose from our five models of shelves, all available in three standard widths. Easily create a customized layout while taking into account the suggested clearance.

SHELVES

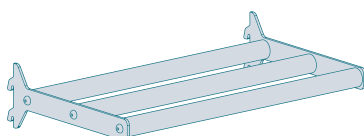
Frontenac shelves come with all components necessary for assembly (racks, rods and screws), but do not include the shelf bracket kit, which is sold separately. The three horizontal shelves make it possible to stack an additional row of bottles and to store an additional centre bottle in double shelf configurations.

HORIZONTAL

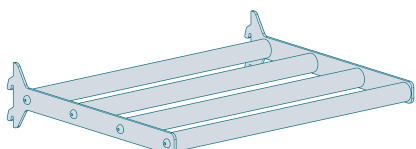
SINGLE SHELF
(FTS-)



DOUBLE SHELF
(FTD-)

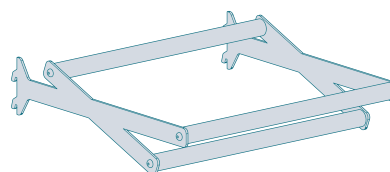


TRIPLE SHELF
(FTT-)

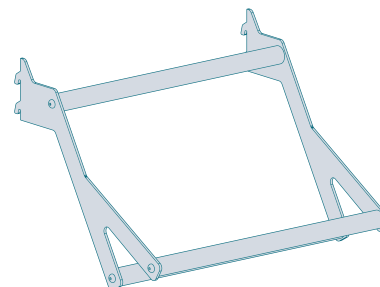


ANGLED

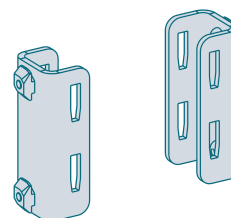
CONSERVATION SHELF
(FTIC-)



PRESENTATION SHELF
(FTIP-)



SHELF BRACKET KIT
FK-2AT

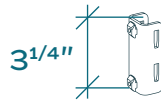


SUGGESTED CLEARANCE

Depending on the model of shelf, we suggest a specific minimum clearance between shelf brackets. This clearance ensures there is enough space to display your bottles properly.

SHELF BRACKET (FK-2AT)

Bracket is 3¹/₄" high



SINGLE SHELF (FTS)

Minimum clearance of 2" above the bracket OR 5" for two rows of bottles. Maximum of 2 rows.

PRESENTATION SHELF (FTIP)

Minimum clearance of 2" above and 8" under the bracket

FULL SHELF BRACKET (FK-ATP)

Bracket is 3" high; wooden shelf not included. Clearance depends on height of shelf and type of bottle. Recommended clearance: 13" above shelf

DOUBLE SHELF (FTD)

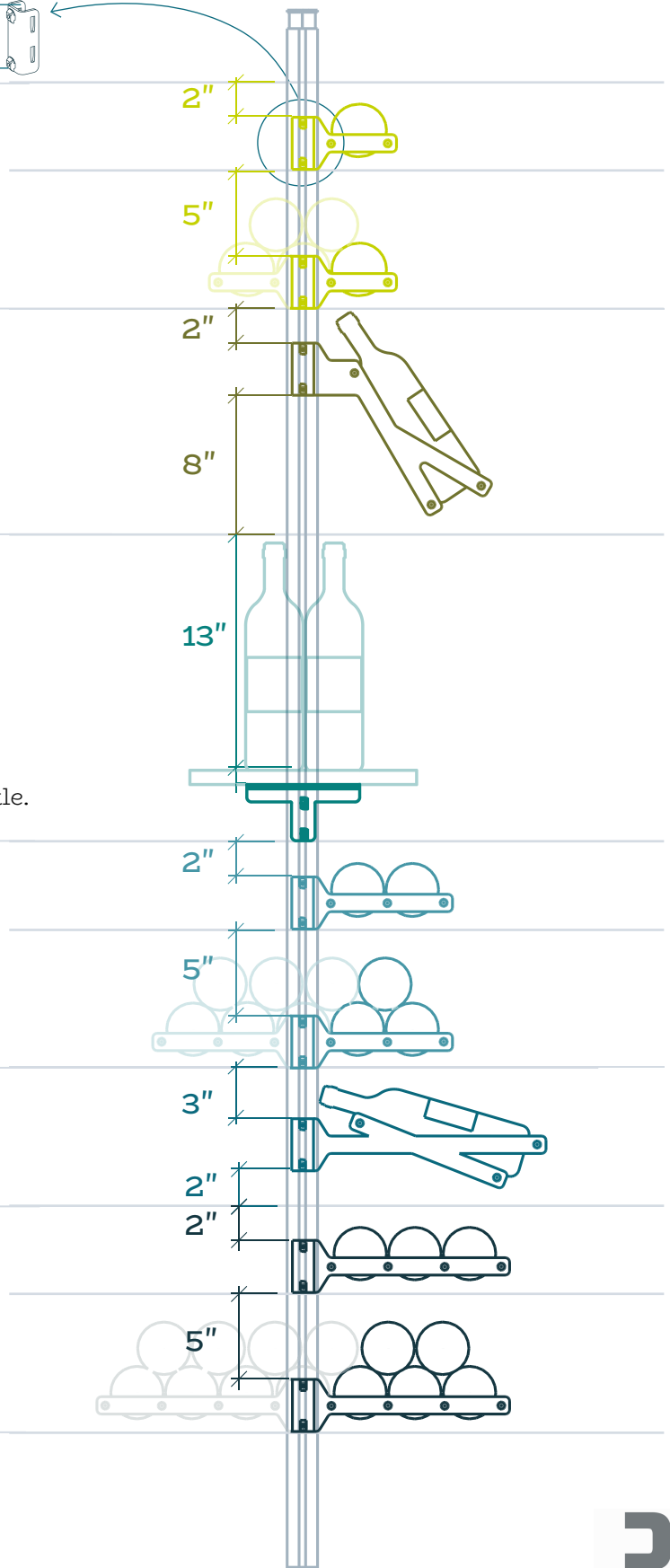
Minimum clearance of 2" above the bracket OR 5" for two rows of bottles. Maximum of 2 rows.

CONSERVATION SHELF (FTIC)

Minimum clearance of 3" above and 2" under the bracket

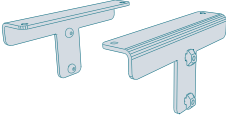


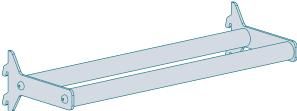
TRIPLE SHELF (FTT)

Minimum clearance of 2" above the bracket OR 5" for two rows of bottles. Maximum of 2 rows.



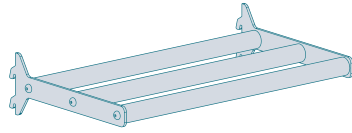
STEP 05 Component list

You can find below all available Frontenac components and their specificities to help you design your own module.

FLOOR-CEILING STUD POWDER COATED ALUMINUM			
	FPP-96 96" FLOOR-CEILING STUD	L 4 5/8" X H 96" X P 1 3/4" W 117mm X H 2438mm X D 44mm	
	FPP-120 120" FLOOR-CEILING STUD	L 4 5/8" X H 120" X P 1 3/4" W 117mm X H 3048mm X D 44mm	
	FK-PAM WALL MOUNTING ANCHOR PLATE	L 4 1/4" X H 1 1/4" X P 1 3/4" W 107mm X H 31mm X D 44mm	
SHELF BRACKET POWDER COATED ALUMINUM			
	FK-2AT 2 STANDARD SHELF BRACKET (shelf not included)	L 1 1/4" X H 3 1/4" X P 1" W 31mm X H 79mm X D 25mm	
	FK-ATP 2 FULL WOODEN SHELF BRACKET (shelf not included)	L 6" X H 3" X P 1 1/4" W 152mm X H 76mm X D 31mm	
SINGLE SHELF POWDER COATED ALUMINUM			
	FTS-14 14" SINGLE SHELF	L 14" X H 3" X P 4 3/4" W 355mm X H 76mm X D 120mm	1 to 5
	FTS-27 27" SINGLE SHELF	L 27" X H 3" X P 4 3/4" W 685mm X H 76mm X D 120mm	2 to 10
	FTS-41 41" SINGLE SHELF	L 41" X H 3" X P 4 3/4" W 1041mm X H 76mm X D 120mm	3 to 15

DOUBLE SHELF

POWDER COATED ALUMINUM



FTD-14
14" DOUBLE SHELF

L 14" X H 3" X P 8"
W 355mm X H 76mm X D 203mm

2 to 9

FTD-27
27" DOUBLE SHELF

L 27" X H 3" X P 8"
W 685mm X H 76mm X D 203mm

4 to 18

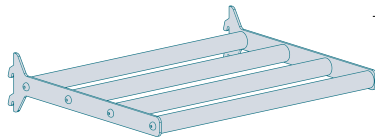
FTD-41
41" DOUBLE SHELF

L 41" X H 3" X P 8"
W 1041mm X H 76mm X D 203mm

6 to 27

TRIPLE SHELF

POWDER COATED ALUMINUM



FTT-14
14" TRIPLE SHELF

L 14" X H 3" X P 11 1/4"
W 355mm X H 76mm X D 285mm

3 to 13

FTT-27
27" TRIPLE SHELF

L 27" X H 3" X P 11 1/4"
W 685mm X H 76mm X D 285mm

6 to 26

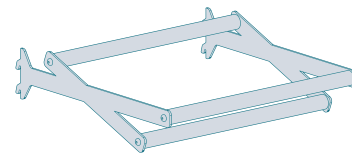
FTT-41
41" TRIPLE SHELF

L 41" X H 3" X P 11 1/4"
W 1041mm X H 76mm X D 285mm

9 to 39

CONSERVATION ANGLED SHELF

POWDER COATED ALUMINUM



FTIC-14
14" CONSERVATION
ANGLED SHELF

L 14" X H 4 1/4" X P 13 3/8"
W 355mm X H 108mm X D 340mm

4

FTIC-27
27" CONSERVATION
ANGLED SHELF

L 27" X H 4 1/4" X P 13 3/8"
W 685mm X H 108mm X D 340mm

8

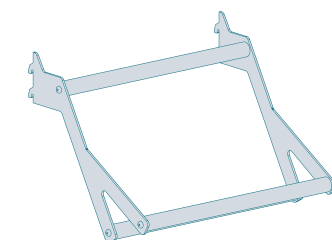
FTIC-41
41" CONSERVATION
ANGLED SHELF

L 41" X H 4 1/4" X P 13 3/8"
W 1041mm X H 108mm X D 340mm

13

PRESENTATION ANGLED SHELF

POWDER COATED ALUMINUM



FTIP-14
14" PRESENTATION SHELF

L 14" X H 9 7/8" X P 10 1/4"
W 355mm X H 250mm X D 260mm

4

FTIP-27
27" PRESENTATION SHELF

L 27" X H 9 7/8" X P 10 1/4"
W 685mm X H 250mm X D 260mm

8

FTIP-41
41" PRESENTATION SHELF

L 41" X H 9 7/8" X P 10 1/4"
W 1041mm X H 250mm X D 260mm

13