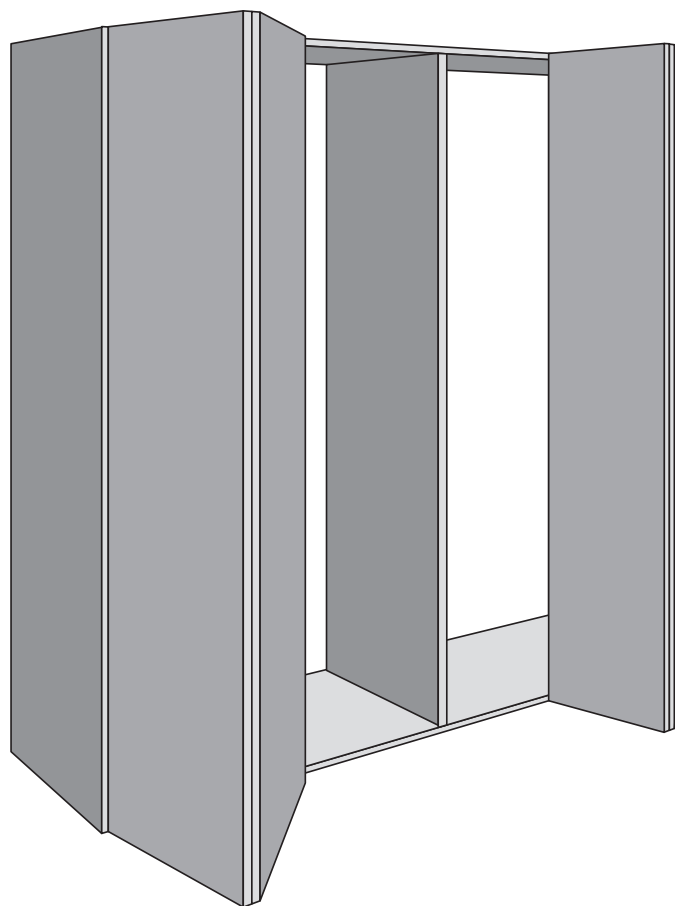
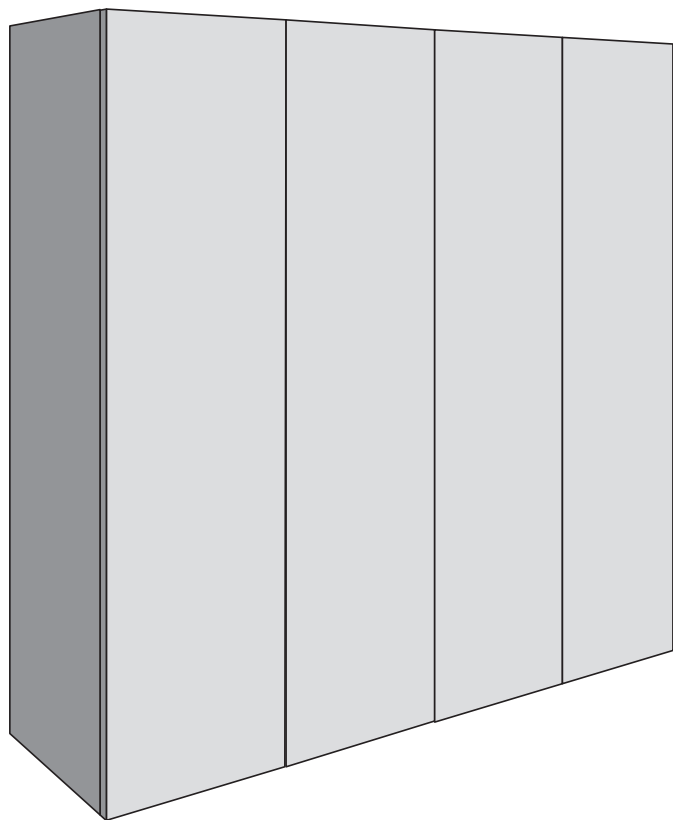


# PS23

**Folding sliding system**

Assembly instructions





All dimensions in this leaflet are stated in millimeters.

### WARNING

Do not use any anti-friction oil or grease or thread-release spray on ball bearing or on wheels with O-ring, it can cause the melting of the inside ball bearing grease, making them noisy or causing the break of the O-ring of the wheels.

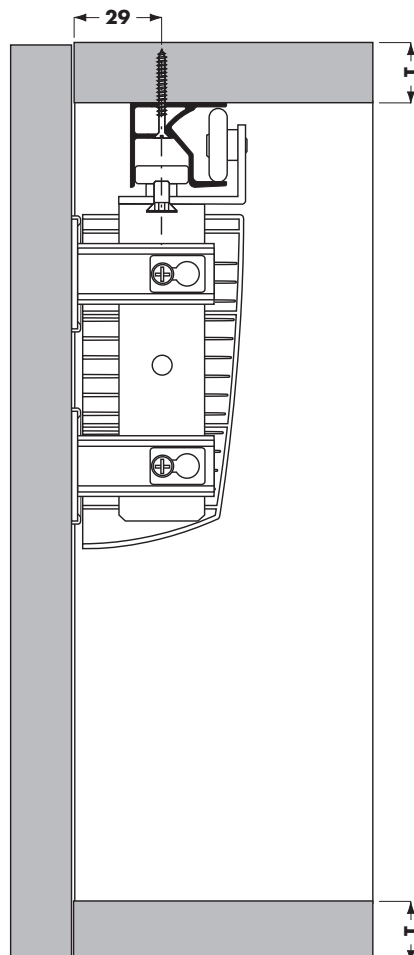
### ABBREVIATIONS

<b>W</b>	width
<b>WA</b>	door width
<b>L</b>	length
<b>LB</b>	rail length
<b>D</b>	depth
<b>H</b>	height
<b>I</b>	distance between centres
<b>T</b>	thickness
<b>S</b>	overlapping

The pictures and descriptions this leaflet contains are supplied for information purposes. The company reserves the right to introduce those modifications it deems opportune for any construction or commercial need at any time and without advance notice.

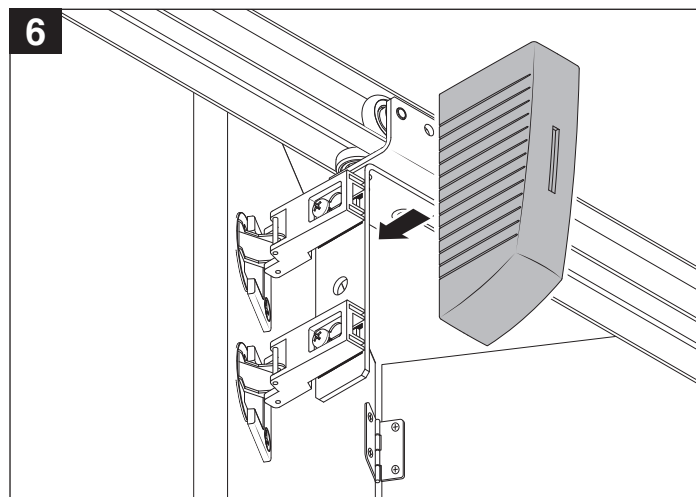
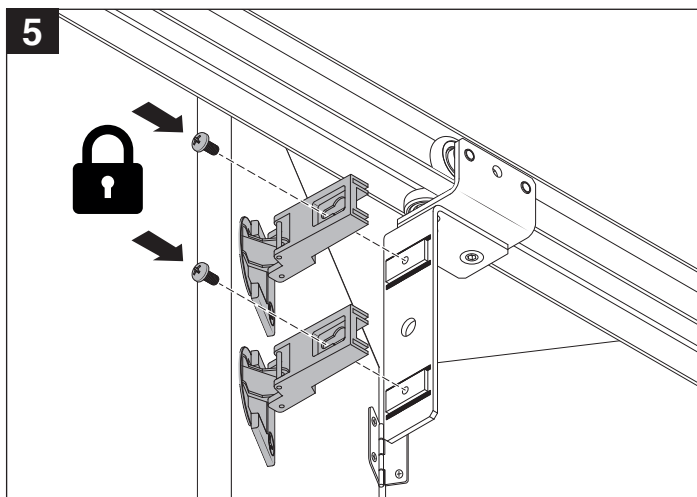
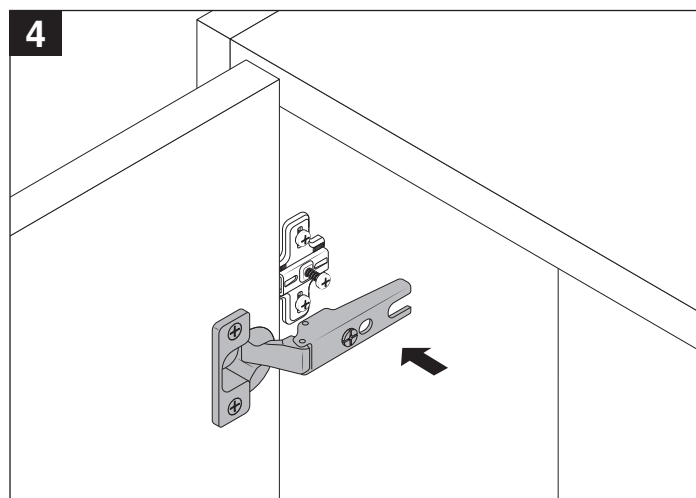
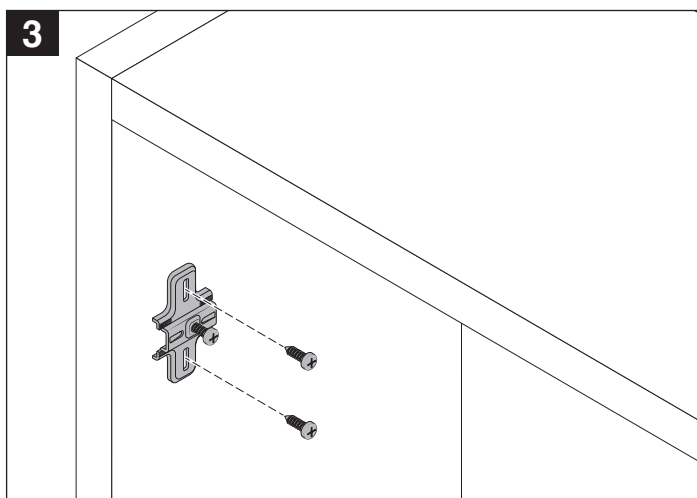
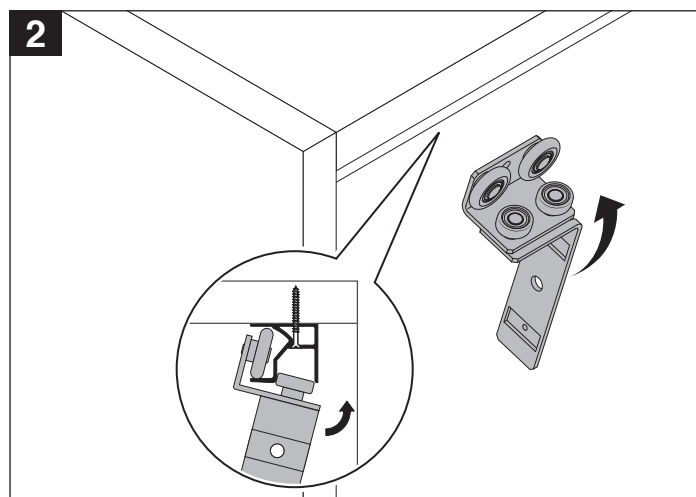
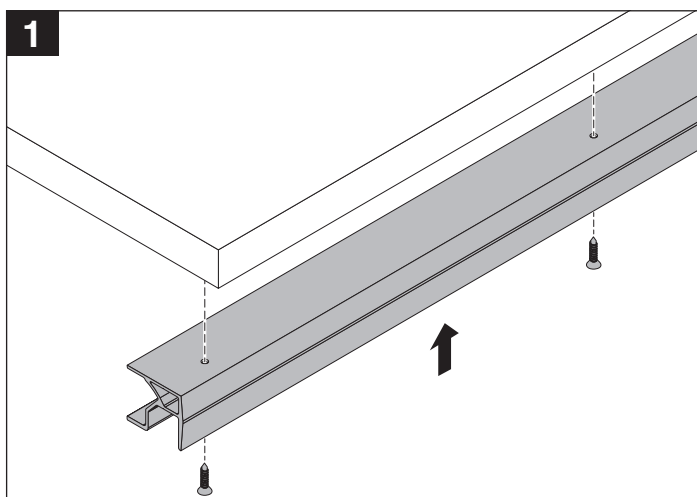
## Working requests for the doors

1





# Assembly instructions



## Icons

