

System Parts:

- (1) Wall Controller - RGB P/N: L-WLD-RGB-WH-1
- (1) Wall Controller - Color Tunable White P/N: L-WLD-CCT-WH-1
- (1) Dynamic Parent Controller (12/24VDC) (required) P/N: L-RGBCCT1-PREC
- (1) Dynamic RF LED Child Receiver (12/24VDC) (optional) P/N: L-RGBCCT1-CREC
- (1) Power Supply, Class 2, 12VDC 60W max (or) 24VDC 96W max
- Tresco® low voltage 12VDC or 24VDC LED RGB or CCT light(s) with Starter Cord

Also see *Accessories below*.

Wall Controller Specifications:

Operating Voltage: (1) CR1620 battery (included)
 Radio Frequency: 916.5 MHz
 RF Remote Distance: 50 ft. (15m)

Parent Controller & Child Receiver Specifications:

Input Voltage: 12VDC or 24VDC
 Output: 12VDC (5A, 60W), or
 24VDC (4A, 96W)

READ ALL INSTRUCTIONS BEFORE INSTALLING SYSTEM.

Before beginning installation, be sure power is turned OFF to light system.

Tresco® FREEDiM Wall Controllers provide color control for RGB lighting or warm/cool controls for CCT (white color-tunable) lighting on Tresco® low voltage LED RGB and CCT lights. They also control the intensity (dim levels) of the lights. The digital screen on the FREEDiM Parent Controller displays the current mode and settings.

The wireless Wall Controller must be positioned within 50 ft. (15m) of the Parent Controller. Note: outside interference may affect the signal between Wall Controller and Parent Controller or Child Receiver. (see 'Signal Interference' on page 2)

The Wall Controller's **mounting cradle** (see Figure 1) allows installation directly to drywall or to a standard wall electrical box, giving the appearance of a hardwired wall switch. Verify power to outlet box is off before installing. (see Figure 2 for installation options)

The Wall Controller has a magnet to hold it within the mounting cradle or to place on any magnetic surface (i.e. refrigerator door). To remove Wall Controller from mounting cradle use the slight indents on the top and bottom edges of Controller.

The mounting cradle has an index tab to orient the Wall Controller in the proper "up" position. (see Figure 1)

Tresco's FREEDiM Parent Controllers and Child Receivers can be used with any Class 2, 12VDC/60W or 24VDC/96W Power Supply. As an option, Tresco® Power Supplies are available: (see *Power Supplies on Figure 3 & 4*)

12VDC/60W max. part no.: L-DC-SLELT60-1, and

24VDC/96W max. part no.: L-24DCELT96-1

For more Power Supply options, see Tresco® Specifications Catalog.

Installing Parent Controller:

NOTE: All wiring must follow local codes and NEC regulations.

1. Verify power is turned off to light system. Connect **Parent Controller** input wire to 12VDC or 24VDC Power Supply output wire (see *Figures 3 & 4*).
2. If using Tresco Power Supplies, connect **Parent Controller** input wire to 12VDC Mounting Block or 24VDC 5-Output Barrel Splice (see *Figures 3 & 4*). Otherwise follow installation guide of power supply used.

To use **multiple Parent Controllers or Child Receivers** on one Power Supply, the optional 12VDC Mounting Block (P/N: L-TRANS-MNT-BL) can accept 6 Parent Controllers and/or Child Receivers. The optional 24VDC 5-Output Barrel Splice (P/N: L-1BRL5-1) can accept 5 Parent Controllers and/or Child Receivers.

Use insulated staples or plastic ties to secure ALL loose cords.

3. With RGB or CCT light(s) connected to a starter cord, plug the starter cord into the Parent Controller or Child Receiver(s) 4-Position Amp Output Connector. *Child Receivers must be used with Parent Controller.*

To connect multiple RGB or CCT light(s) to a single Parent Controller or Child Receiver use the optional 4-Position 6-Output Adaptor Cord (P/N: L-4P60-1). Plug the input wire of the Adaptor Cord to the 4-Position Amp Connector on the output of the Parent Controller or Child Receiver. Then plug the desired RGB or CCT light(s) starter cords into any of the 6 outputs of the Adaptor Cord.

The 4-Position 6-Output Adaptor Cord works with 12VDC/5A and 24VDC/4A systems as well as RGB and Color Tunable White Lights.

4. Check all connections and turn on power to the Power Supply.
5. Check the mode on the Parent Controller and select either RGB or CCT mode depending on the LED light system installed.

NOTE: See separate instruction sheets for further information on Tresco® low voltage LED RGB and CCT lights, FREEDiM Parent Controllers and Child Receivers, and Tresco® Power Supplies.

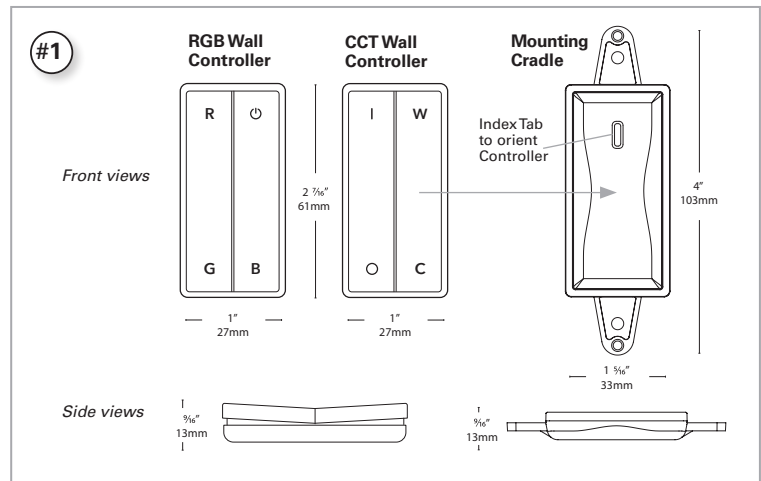
See page 2 for further instructions.

Accessories (sold separately): Extension and Link Cords, additional Parent Controllers, Child Receivers, Wall Controllers, 12V Mounting Blocks, 24V 5-Output Barrel Splices, 4-Position 6-Output Adaptor Cords.

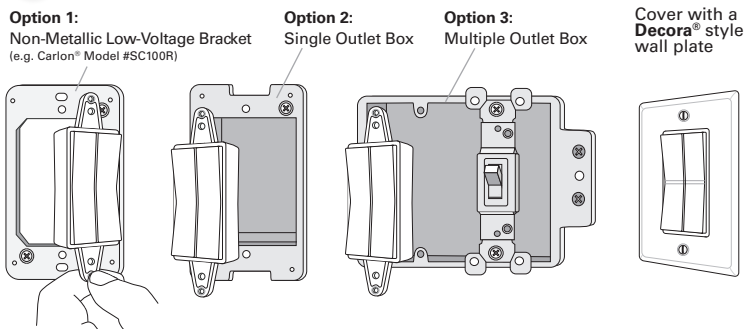
Installation Instructions

FREEDiM Wireless RGB & CCT Wall Controllers

Single Zone • 12VDC 60W & 24VDC 96W

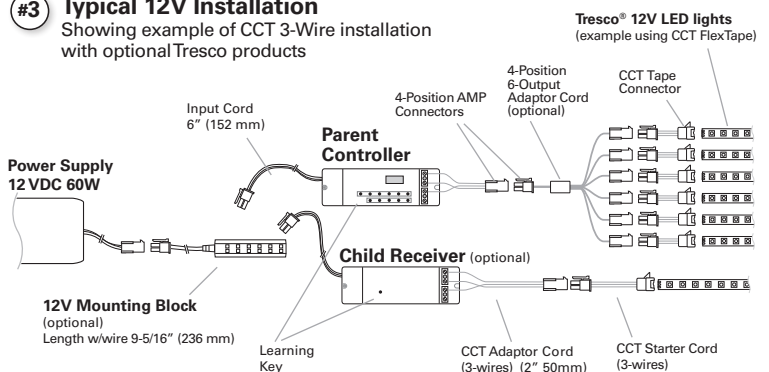


#2 Options to Install Mounting Cradle in a Wall



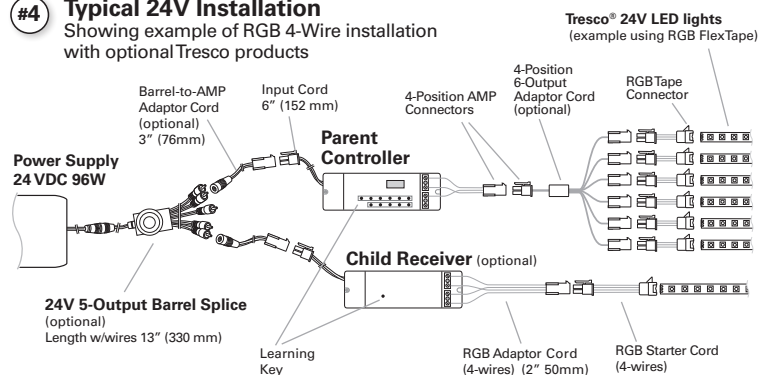
#3 Typical 12V Installation

Showing example of CCT 3-Wire installation with optional Tresco products



#4 Typical 24V Installation

Showing example of RGB 4-Wire installation with optional Tresco products



Installation Instructions

FREEDiM Wireless RGB & CCT Wall Controllers

Single Zone • 12VDC 60W & 24VDC 96W

Programming Instructions:

NOTE: Each Wall Controller will only pair with ONE Parent Controller. Wall Controllers do not pair with Child Receivers.

1. Remove the Wall Controller from the Mounting Cradle (Figure 1 on page 1). Remove the clear plastic tab to activate the battery.
2. Press once (do not hold down) the Learning Key (see Figures 3 or 4 on page 1) on the Parent Controller, then press "On" once on the Wall Controller (see Figure 5). The Parent Controller connected light should flash on/off, indicating they are paired up and programmed properly.
3. Repeat Step 2 for any additional Controllers to pair up.

NOTE: Each Wall Controller can control 1 Parent Controller. Each Parent Controller can be paired with up to 10 different Child Receivers (see Figure #6).

Deprogramming:

1. To deprogram, press and hold down the Learning Key on the Parent Controller until the lights flash.
2. The Parent Controller is now reset and no longer paired to the Wall Controller.

To Control the Lights:

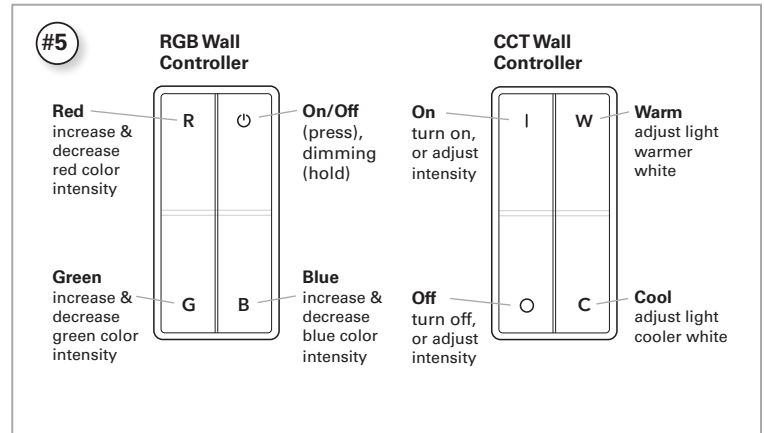
RGB Wall Controller:

- To turn on and off, press the "On/Off" button once (see Figure 5).
 - Press **R**, **G** or **B** buttons once to increase the value of that color.
 - Press **R**, **G** or **B** buttons a second time to decrease the value of that color.
 - To dim or brighten the lights once the colors are set, hold down the "On/Off" button. To dim/brighten the lights in the opposite direction, hold down the "On/Off" button a second time.
- The lights dim from 100% down to 5%.

CCT Wall Controller:

- To turn on, press the "On" button once. To turn off, press the "Off" button once (see Figure 5).
 - Press **W** to adjust the color temperature of the lights warmer.
 - Press **C** to adjust the color temperature of the lights cooler.
 - To dim the lights, hold down the "Off" button. To brighten the lights hold down the "On" button.
- The lights dim from 100% down to 5%.

NOTE: To check current settings, view the Parent Controller's digital screen (see Figure 6).



Signal Interference:

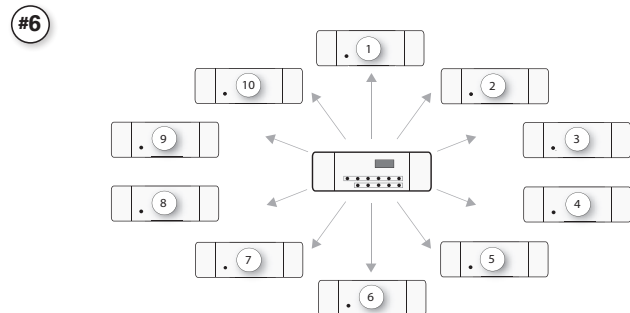
Outside interference may affect the signal between the Wall Controller and Parent Controller or Child Receiver. Typical items that might cause interference include: metal pots and pans, leaded glass, aluminum framed doors, etc. If experiencing interference, try repositioning the Parent Controller or Child Receiver in 6" (15cm) increments. This typically allows the system to function properly.

IMPORTANT SAFETY INSTRUCTIONS

CAUTION: To reduce the risk of fire, electric shock, or injury to persons:

- Use proper Class 2, Power Supply for the lighting system – e.g. 12VDC Power Supply with 12V Lights; and 24VDC Power Supply with 24V Lights.
- Parent Controller output 12VDC 60W 5A max or 24VDC 96W 4A max
- Use only insulated staples or plastic ties to secure cords.
- Route and secure cords so that they will not be pinched or damaged when the cabinet is pushed to the wall.
- NOT intended for use in ceilings, soffits or walls.
- Use only in dry locations. Not for use where exposed to the weather.
- Do not run line voltage power supply cord through holes in walls, ceilings, floors or similar permanent structure.
- If required, a licensed electrician should be consulted for wiring through permanent structures. When mounting and wiring light system, follow all local electric codes and the National Electrical Code (NEC).
- Disconnect electrical power before cutting light or modifying system.

Each Parent Controller can control up to 10 Child Receivers



Save these instructions for future reference.
For technical assistance, call 1-800-227-1171



Tresco Lighting by Rev-A-Shelf
 12400 Earl Jones Way
 Louisville, KY 40299

Tel: 800-227-1171
 Fax: 502-491-2215

Email: cservice@trescolighting.com
 Web: www.trescolighting.com

