

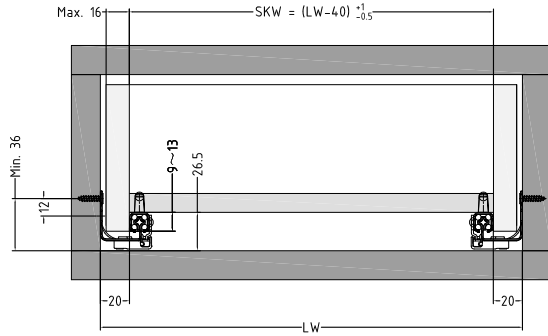
#314F - 3/4 Extension Undermount Slides



Drawer Width

Drawer material: 16mm max.

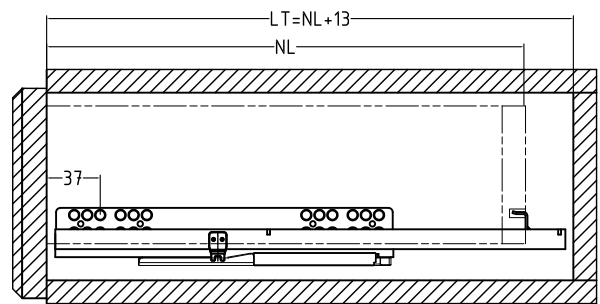
LW=Internal Cabinet Width SKW=Internal Drawer Width



Cabinet Depth

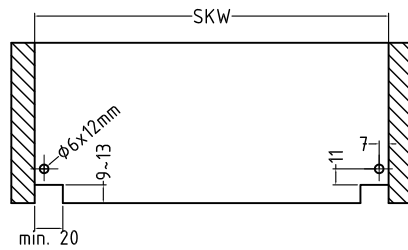
NL= Drawer Depth

LT= Cabinet Depth (min.)

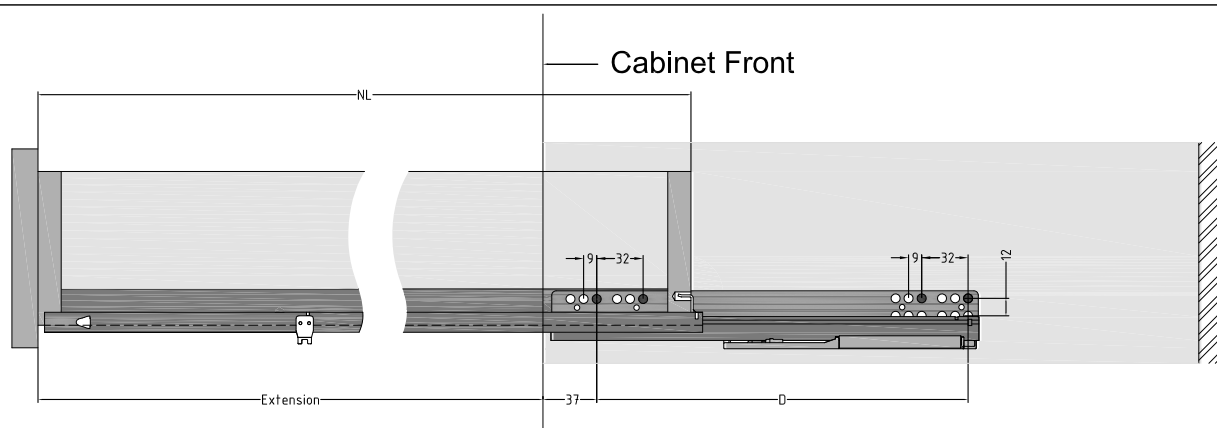
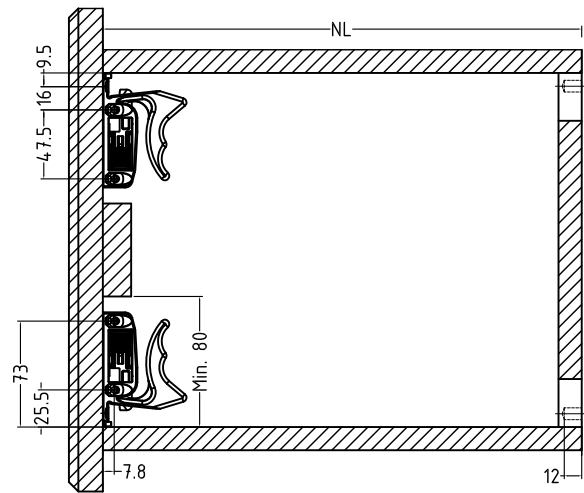


Drawer Back drilling & notching

SKW=Internal Drawer Width



Locking Device mounting



NL	(mm)	250	300	320	350	380	400	450	500	550
D	(mm)	160	160	192	192	224	224	256	288	320
Extension	(mm)	184	234	242	272	302	310	348	386	436