

Docking Drawer®



Docking Drawer Blade Series Mounting Diagrams

for Richelieu Optimiz-R



Choose Your Drawer Box System

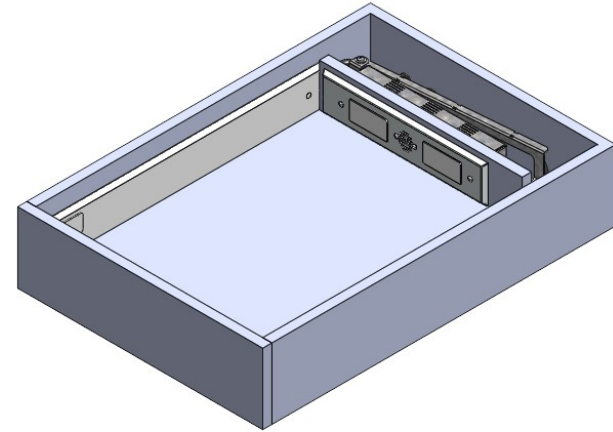
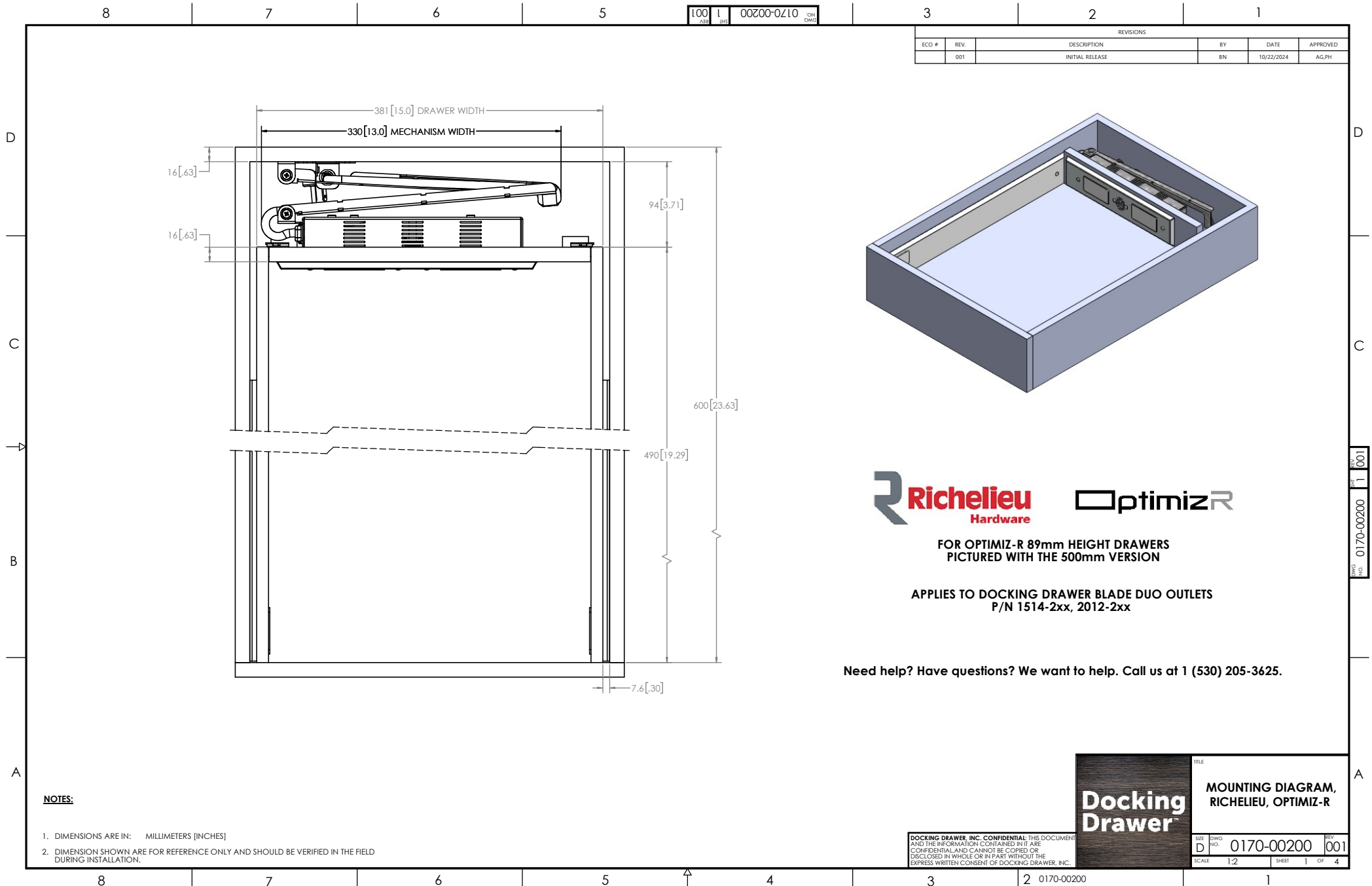
3 | OPTIMIZ-R - 89 mm Height Drawers

11 | OPTIMIZ-R - 121 mm Height Drawers

19 | OPTIMIZ-R - 185 mm Height Drawers

Blade Duo for 89 mm Height Drawers

Back to Contents →



FOR OPTIMIZ-R 89mm HEIGHT DRAWERS
PICTURED WITH THE 500mm VERSION

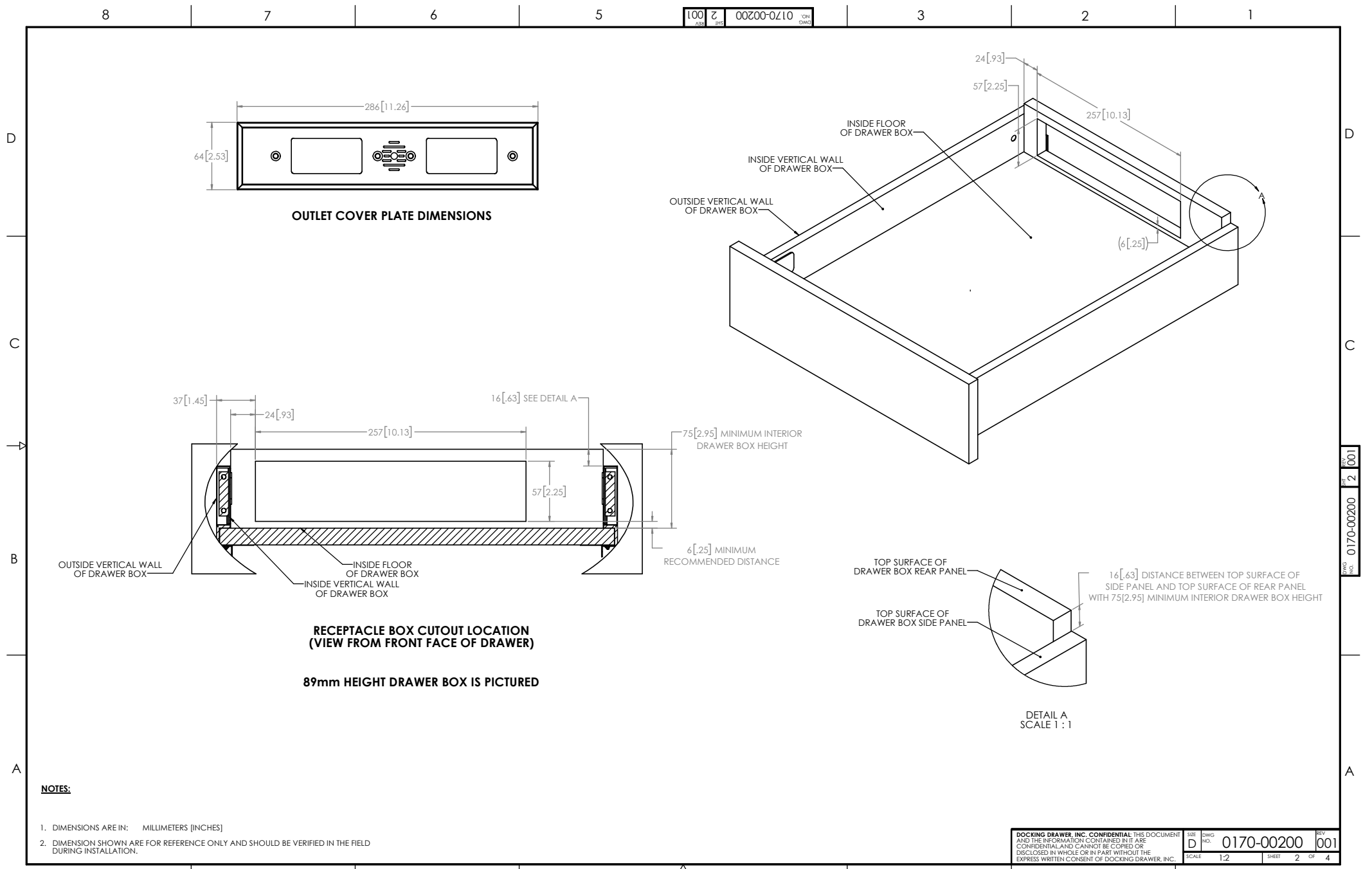
APPLIES TO DOCKING DRAWER BLADE DUO OUTLETS
P/N 1514-2xx, 2012-2xx

Need help? Have questions? We want to help. Call us at 1 (530) 205-3625.

Blade Duo for 89 mm Height Drawers

Back to Contents →

100 2 00700-0210 DWG



NOTES:

1. DIMENSIONS ARE IN: MILLIMETERS [INCHES]
2. DIMENSION SHOWN ARE FOR REFERENCE ONLY AND SHOULD BE VERIFIED IN THE FIELD DURING INSTALLATION.

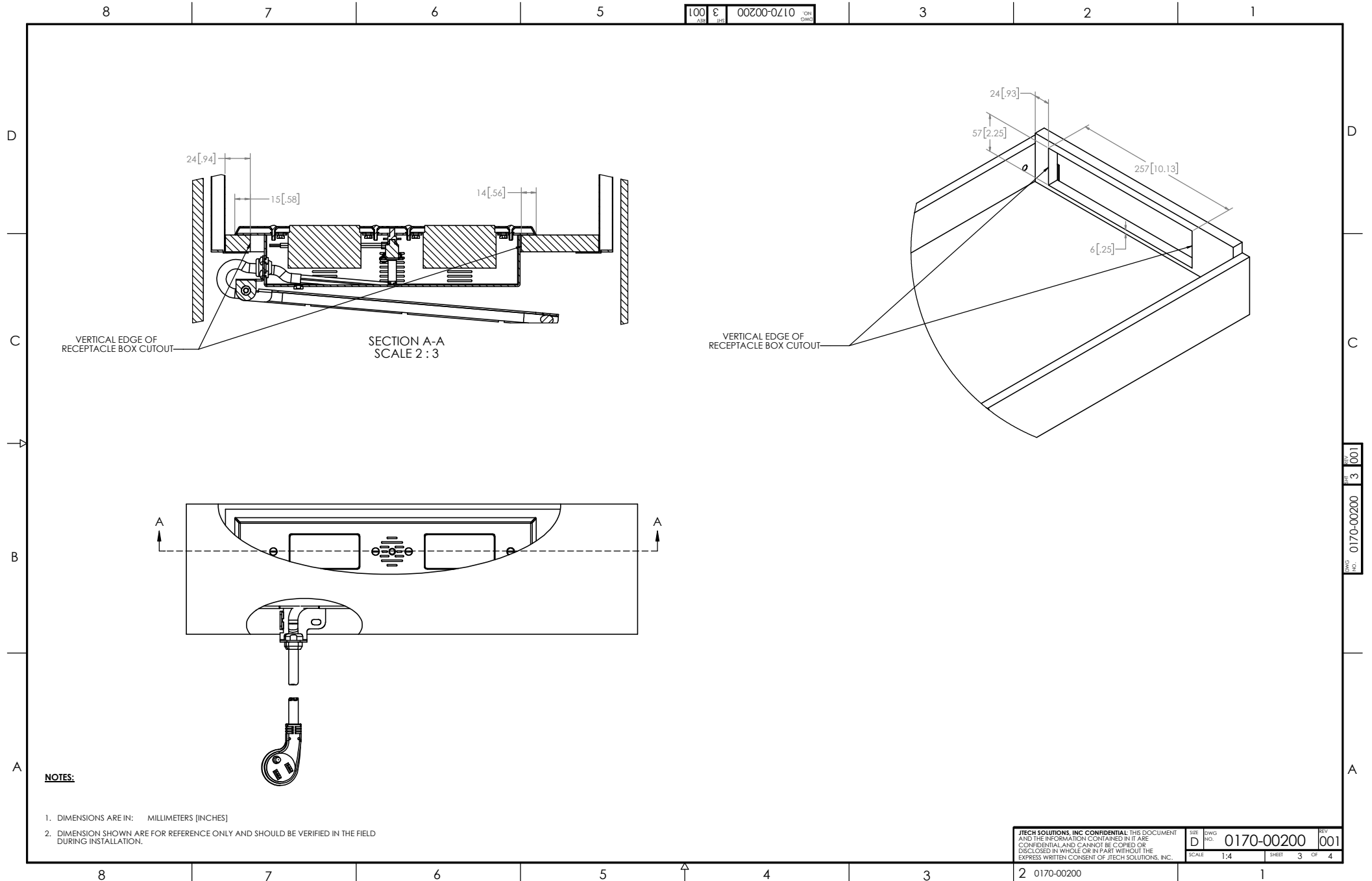
DOCKING DRAWER, INC. CONFIDENTIAL THIS DOCUMENT AND THE INFORMATION CONTAINED HEREIN ARE CONFIDENTIAL AND CANNOT BE COPIED OR DISCLOSED IN WHOLE OR IN PART WITHOUT THE EXPRESS WRITTEN CONSENT OF DOCKING DRAWER, INC.

SCALE 1:2 SHEET 2 OF 4

0170-00200

Blade Duo for 89 mm Height Drawers

Back to Contents →

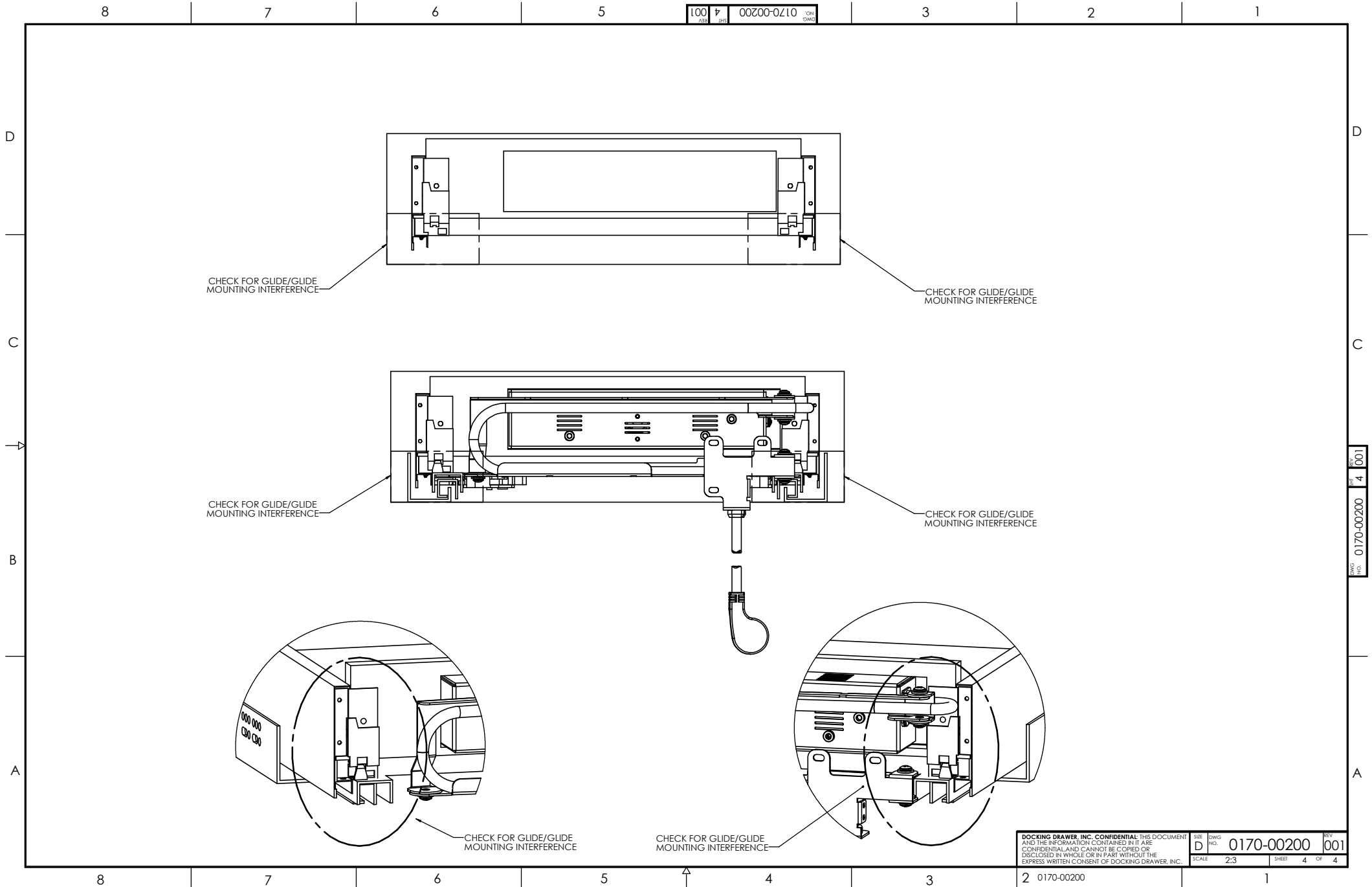


NOTES:

1. DIMENSIONS ARE IN: MILLIMETERS [INCHES]
2. DIMENSION SHOWN ARE FOR REFERENCE ONLY AND SHOULD BE VERIFIED IN THE FIELD DURING INSTALLATION.

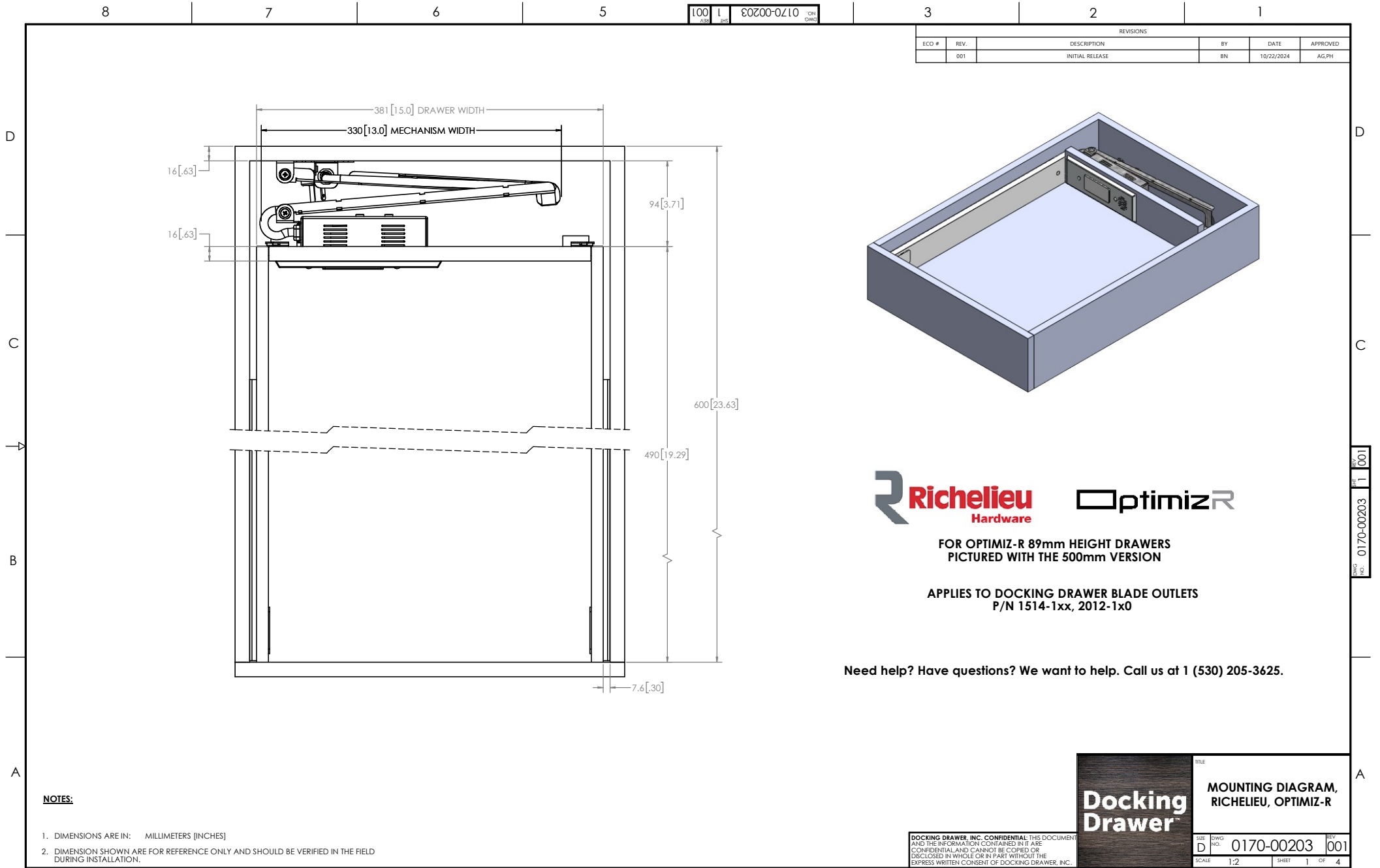
Blade Duo for 89 mm Height Drawers

Back to Contents →



Blade for 89 mm Height Drawers

Back to Contents →



REVISIONS					
ECO #	REV.	DESCRIPTION	BY	DATE	APPROVED
	001	INITIAL RELEASE	BN	10/22/2024	AG,PH



FOR OPTIMIZ-R 89mm HEIGHT DRAWERS
PICTURED WITH THE 500mm VERSION

APPLIES TO DOCKING DRAWER BLADE OUTLETS
P/N 1514-1xx, 2012-1x0

Need help? Have questions? We want to help. Call us at 1 (530) 205-3625.

NOTES:

- DIMENSIONS ARE IN: MILLIMETERS [INCHES]
- DIMENSION SHOWN ARE FOR REFERENCE ONLY AND SHOULD BE VERIFIED IN THE FIELD DURING INSTALLATION.

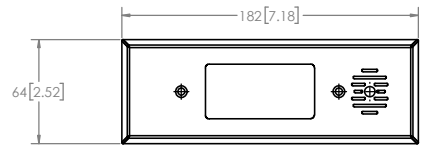
DOCKING DRAWER, INC. CONFIDENTIAL: THIS DOCUMENT AND THE INFORMATION CONTAINED IN IT ARE CONFIDENTIAL AND CANNOT BE COPIED OR DISCLOSED IN WHOLE OR IN PART WITHOUT THE EXPRESS WRITTEN CONSENT OF DOCKING DRAWER, INC.

Docking Drawer	TITLE	MOUNTING DIAGRAM, RICHELIEU, OPTIMIZ-R		
	SIZE	DWG. NO.	REV.	
	D	0170-00203	001	
	SCALE	1:2	SHEET	1 OF 4

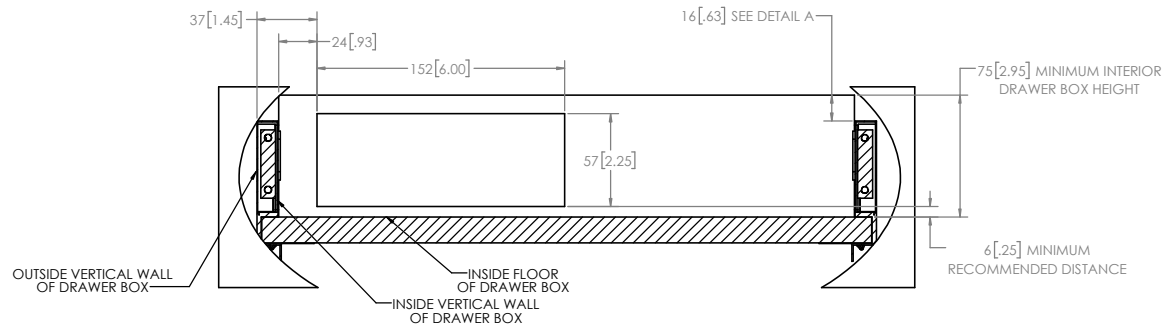
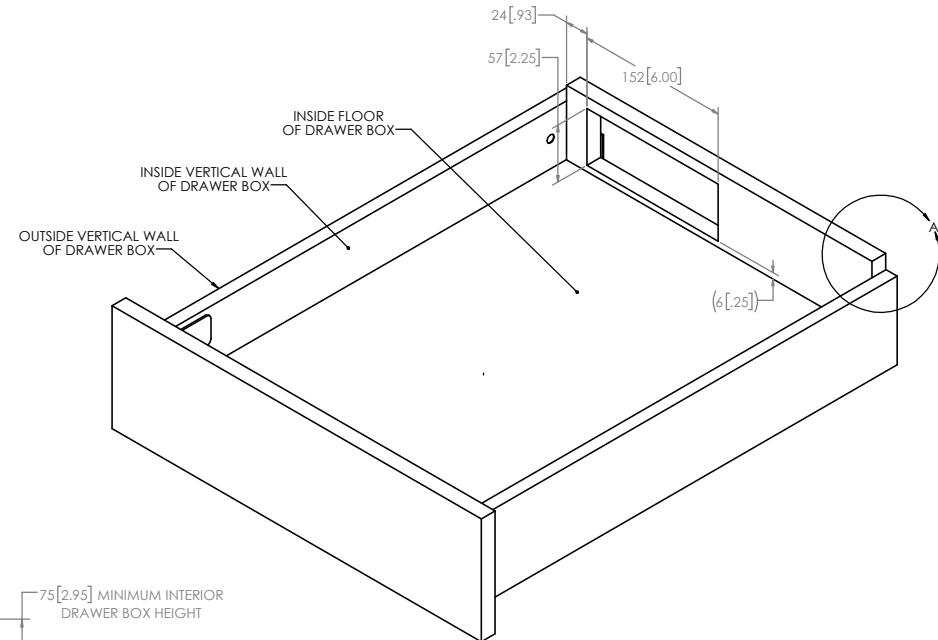
Blade for 89 mm Height Drawers

100 2 01 0170-00203 DWG

100 2 01 0170-00203 DWG

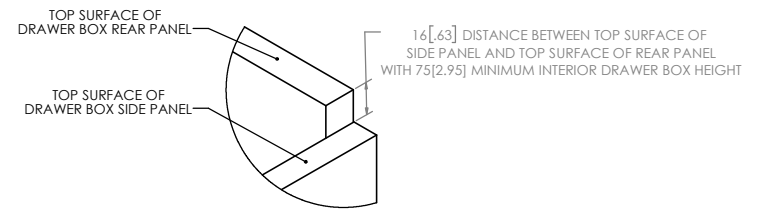


OUTLET COVER PLATE DIMENSIONS



**RECEPTACLE BOX CUTOUT LOCATION
(VIEW FROM FRONT FACE OF DRAWER)**

89mm HEIGHT DRAWER BOX IS PICTURED



**DETAIL A
SCALE 1 : 1**

NOTES:

1. DIMENSIONS ARE IN: MILLIMETERS [INCHES]
2. DIMENSION SHOWN ARE FOR REFERENCE ONLY AND SHOULD BE VERIFIED IN THE FIELD DURING INSTALLATION.

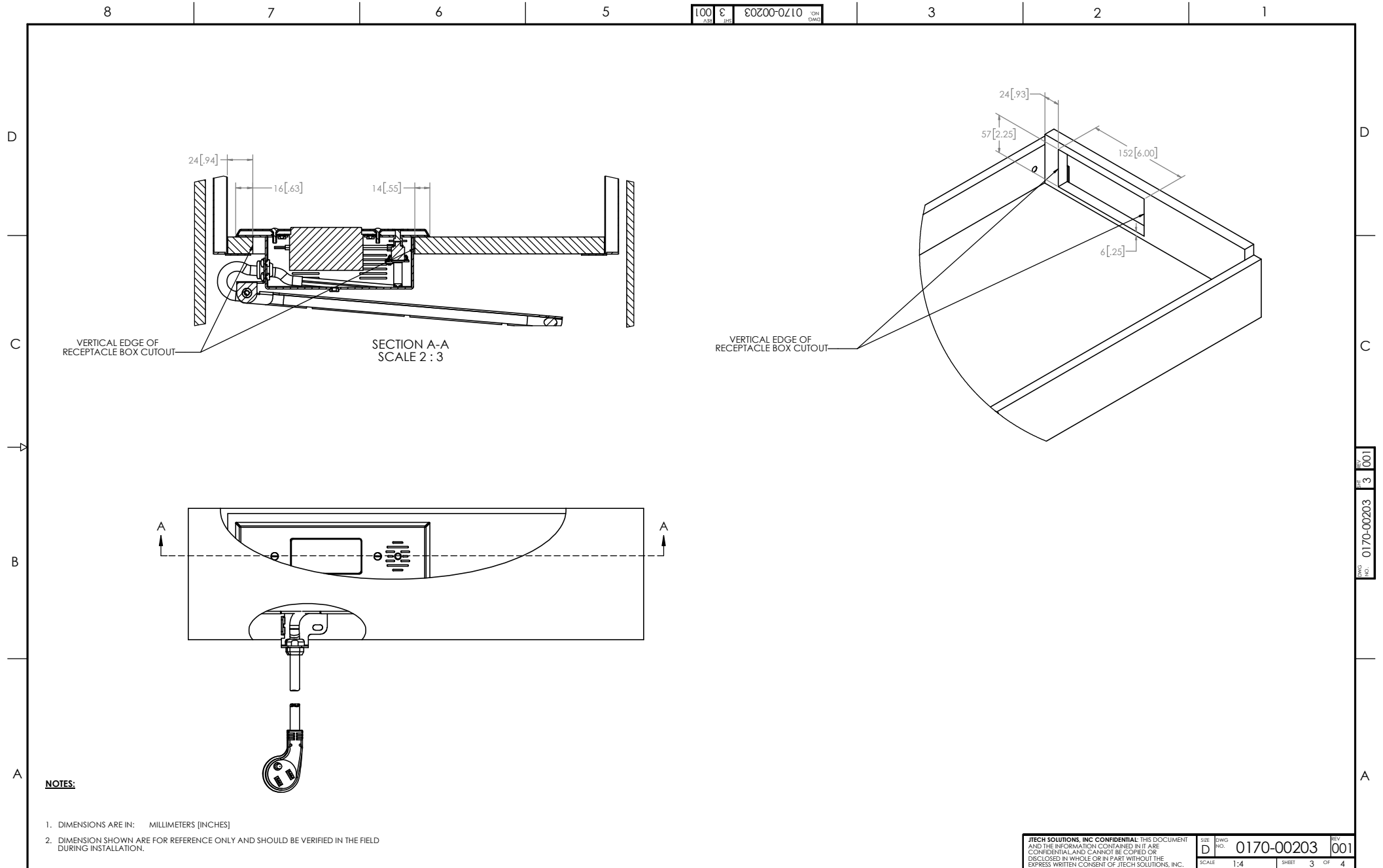
DOCKING DRAWER, INC. CONFIDENTIAL: THIS DOCUMENT AND THE INFORMATION CONTAINED IN IT ARE CONFIDENTIAL AND CANNOT BE COPIED OR DISCLOSED IN WHOLE OR IN PART WITHOUT THE EXPRESS WRITTEN CONSENT OF DOCKING DRAWER, INC.			SIZE D	DWG NO. 0170-00203	REV 001
			SCALE 1:2	SHEET 2 OF 4	

2 0170-00203

1

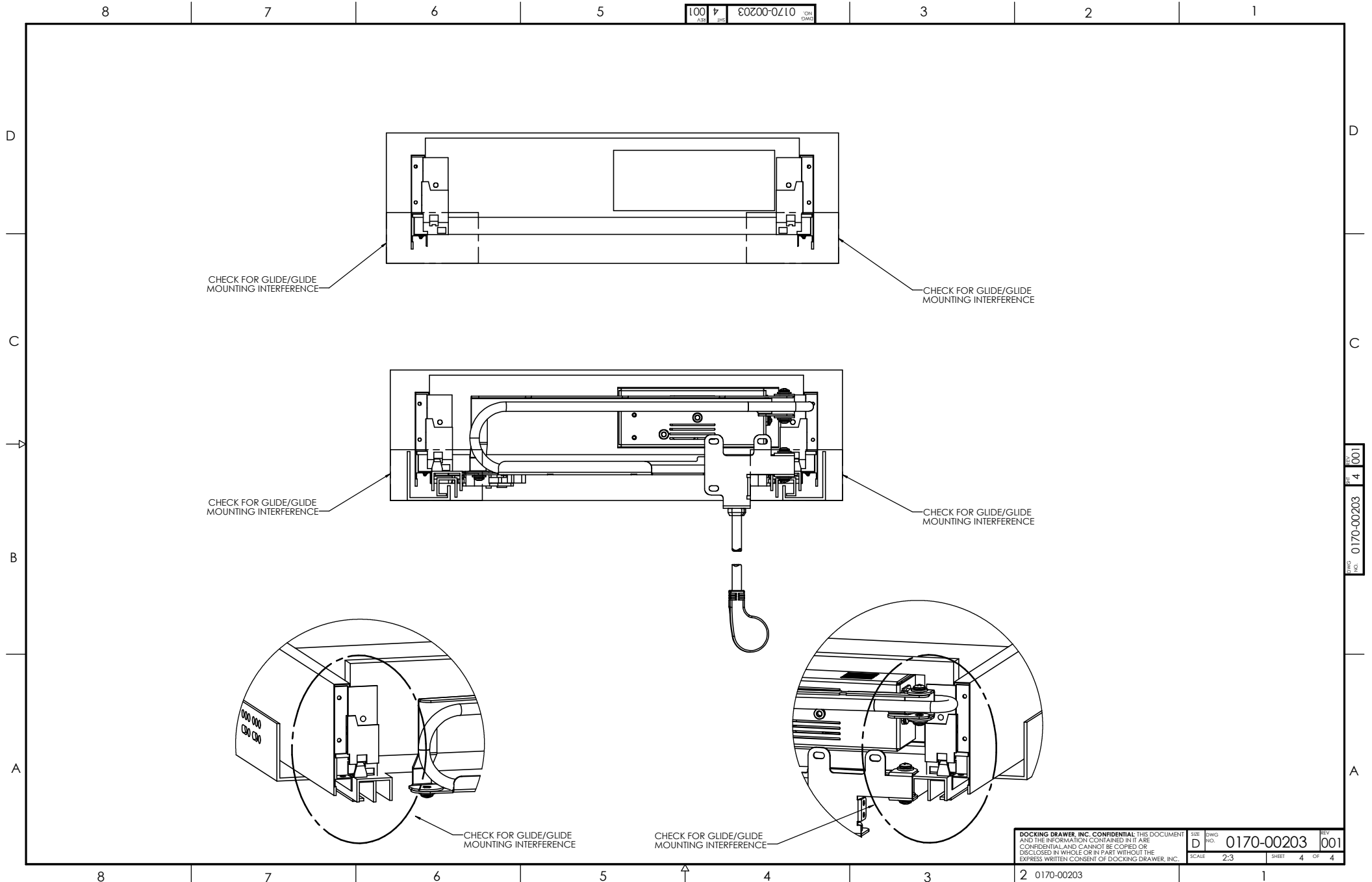
Blade for 89 mm Height Drawers

Back to Contents →



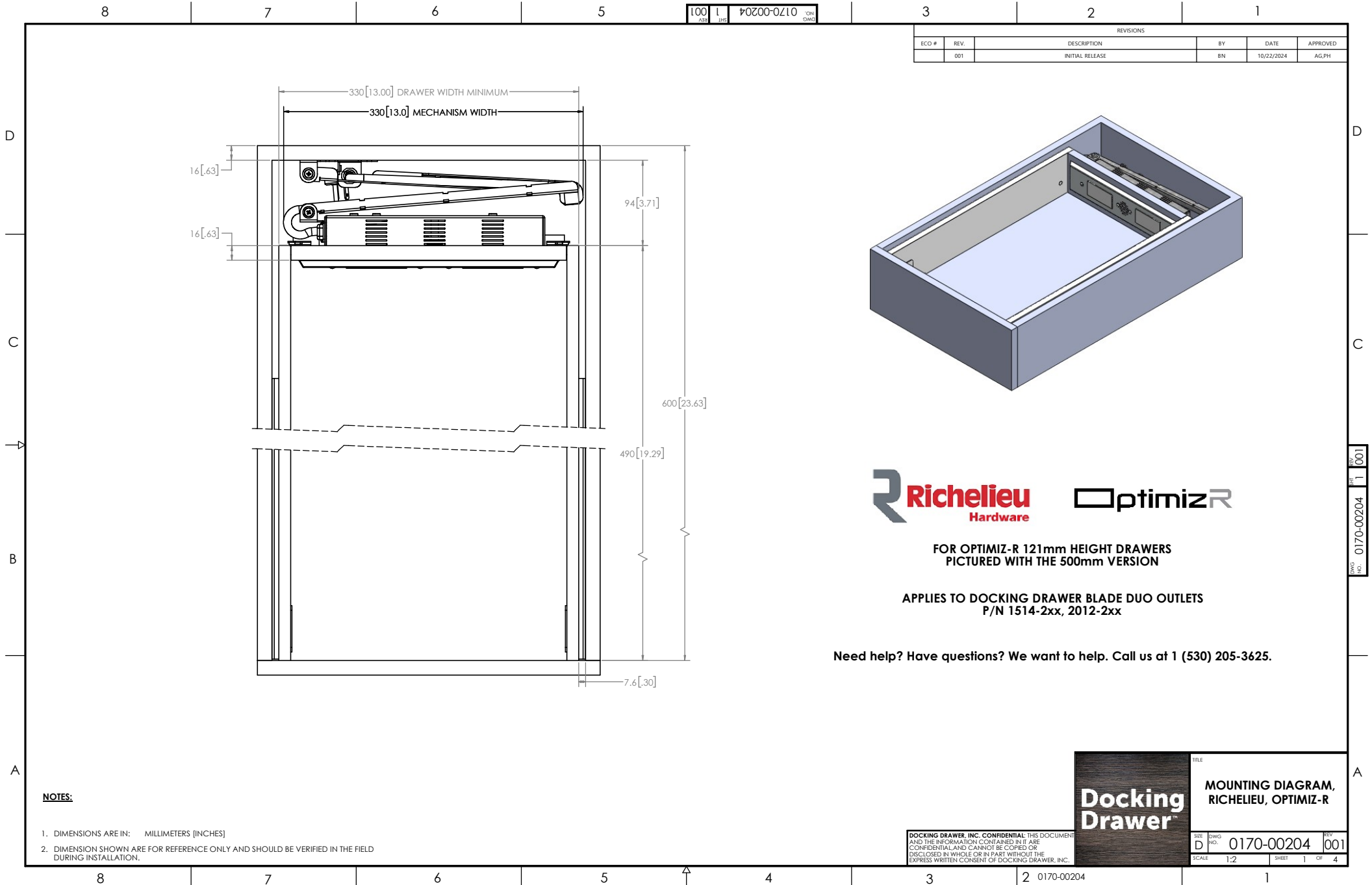
Blade for 89 mm Height Drawers

Back to Contents →



Blade Duo for 121 mm Height Drawers

Back to Contents →



FOR OPTIMIZ-R 121mm HEIGHT DRAWERS
PICTURED WITH THE 500mm VERSION

APPLIES TO DOCKING DRAWER BLADE DUO OUTLETS
P/N 1514-2xx, 2012-2xx

Need help? Have questions? We want to help. Call us at 1 (530) 205-3625.

NOTES:

1. DIMENSIONS ARE IN: MILLIMETERS [INCHES]
2. DIMENSION SHOWN ARE FOR REFERENCE ONLY AND SHOULD BE VERIFIED IN THE FIELD DURING INSTALLATION.

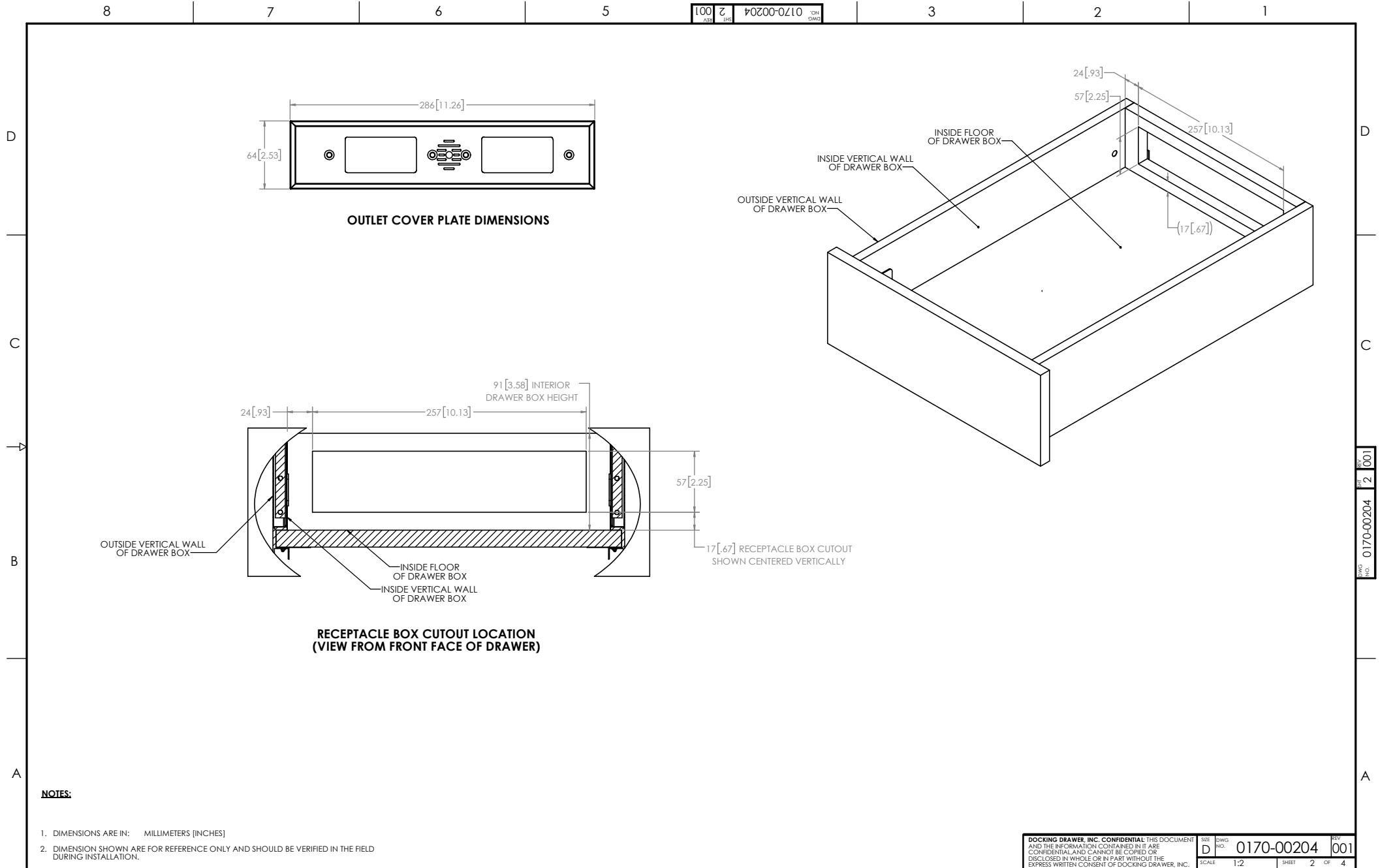
DOCKING DRAWER, INC. CONFIDENTIAL: THIS DOCUMENT AND THE INFORMATION CONTAINED IN IT ARE CONFIDENTIAL AND CANNOT BE COPIED OR DISCLOSED IN WHOLE OR IN PART WITHOUT THE EXPRESS WRITTEN CONSENT OF DOCKING DRAWER, INC.

Docking Drawer		TITLE	
		MOUNTING DIAGRAM, RICHELIEU, OPTIMIZ-R	
SIZE	DWG. NO.	REV.	
D	0170-00204	001	
SCALE	1:2	SHEET	1 OF 4

Blade Duo for 121 mm Height Drawers

Back to Contents →

100 2 #0200-0110 DWG

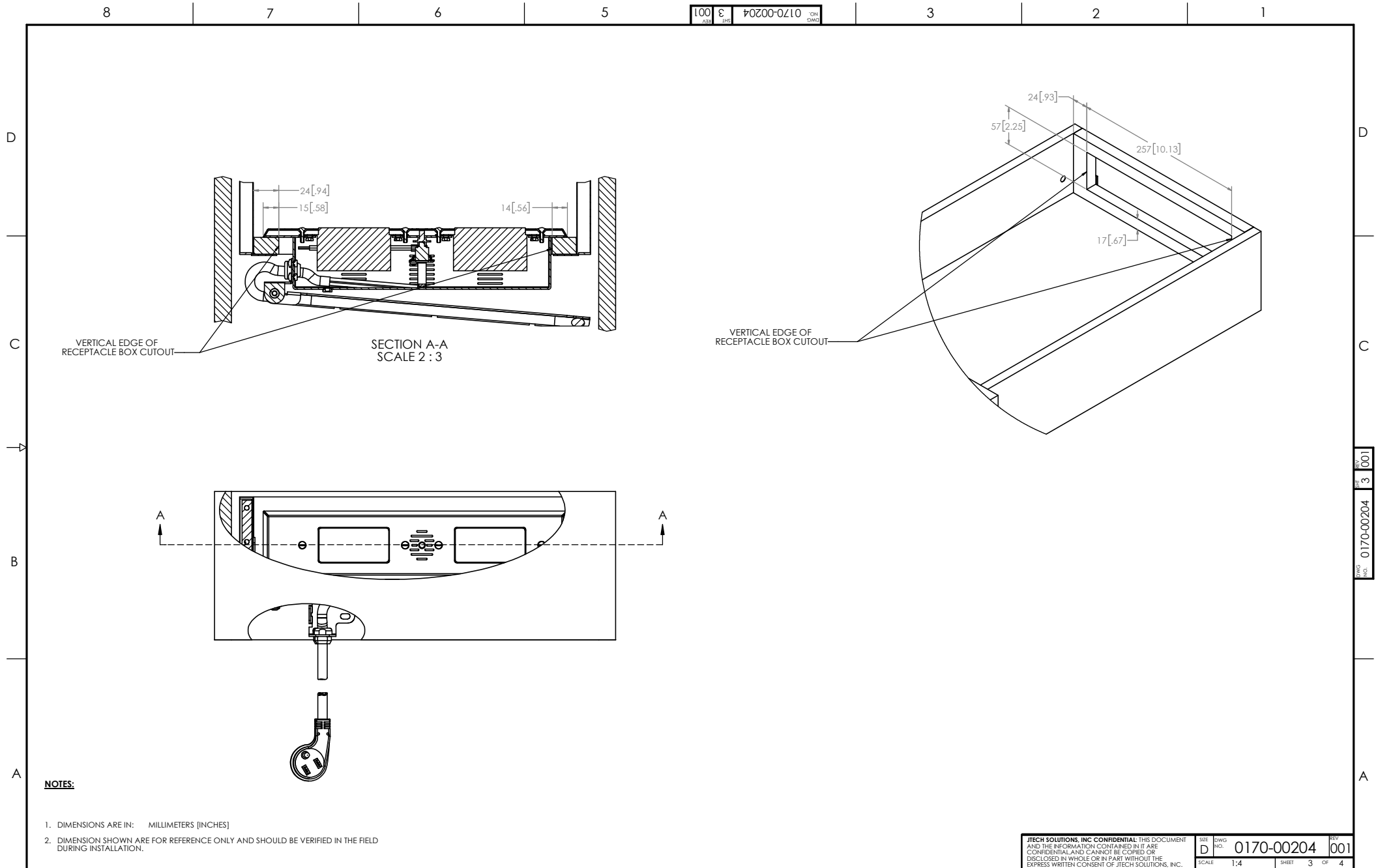


DWG NO. 0170-00204 2 001

DOCKING DRAWER, INC. CONFIDENTIAL: THIS DOCUMENT AND THE INFORMATION CONTAINED IN IT ARE CONFIDENTIAL AND CANNOT BE COPIED OR DISCLOSED IN WHOLE OR IN PART WITHOUT THE EXPRESS WRITTEN CONSENT OF DOCKING DRAWER, INC.		SIZE: D	DWG. NO.: 0170-00204	REV: 001
2 0170-00204		SCALE: 1:2	SHEET: 2	OF: 4

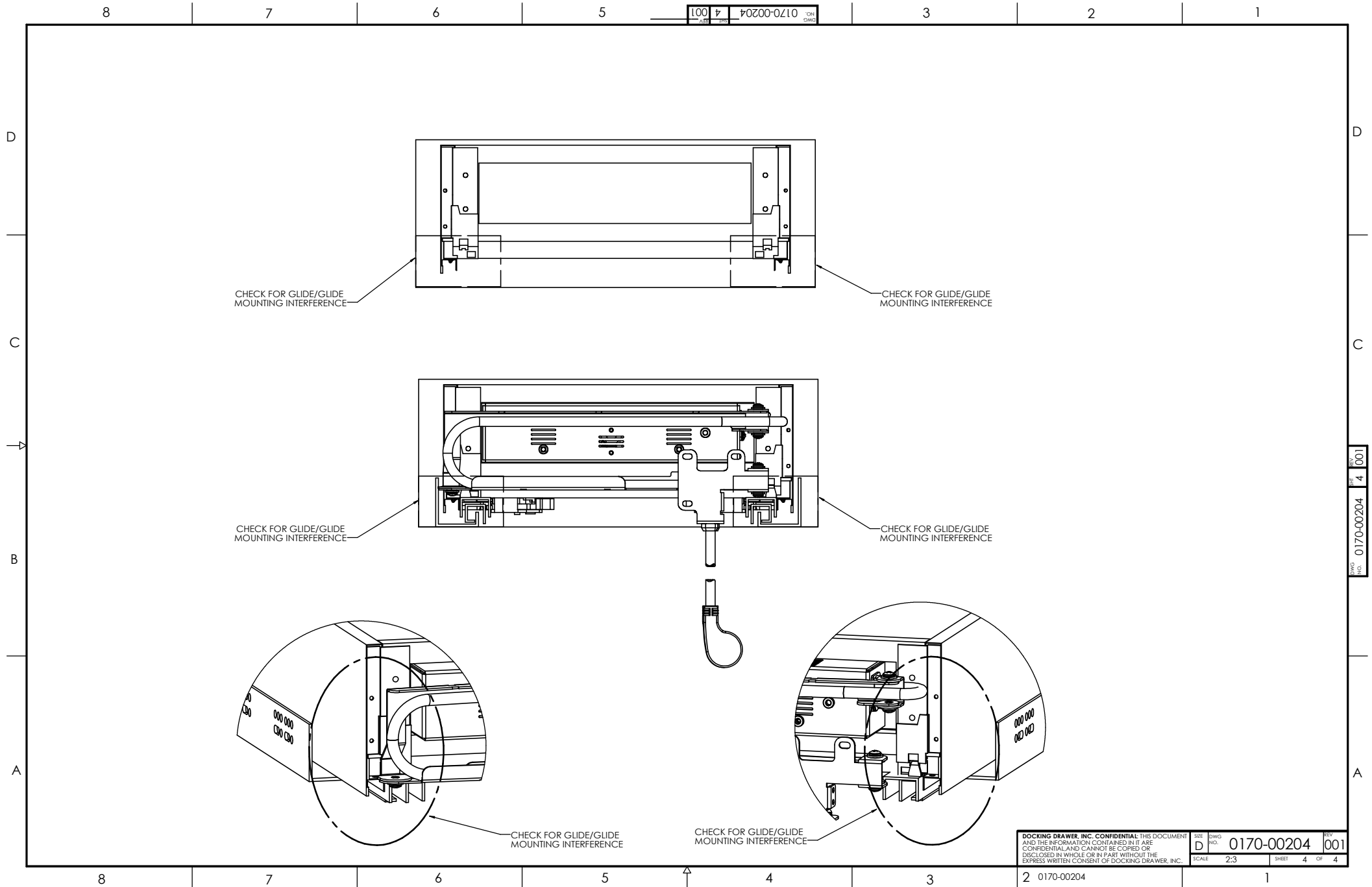
Blade Duo for 121 mm Height Drawers

Back to Contents →



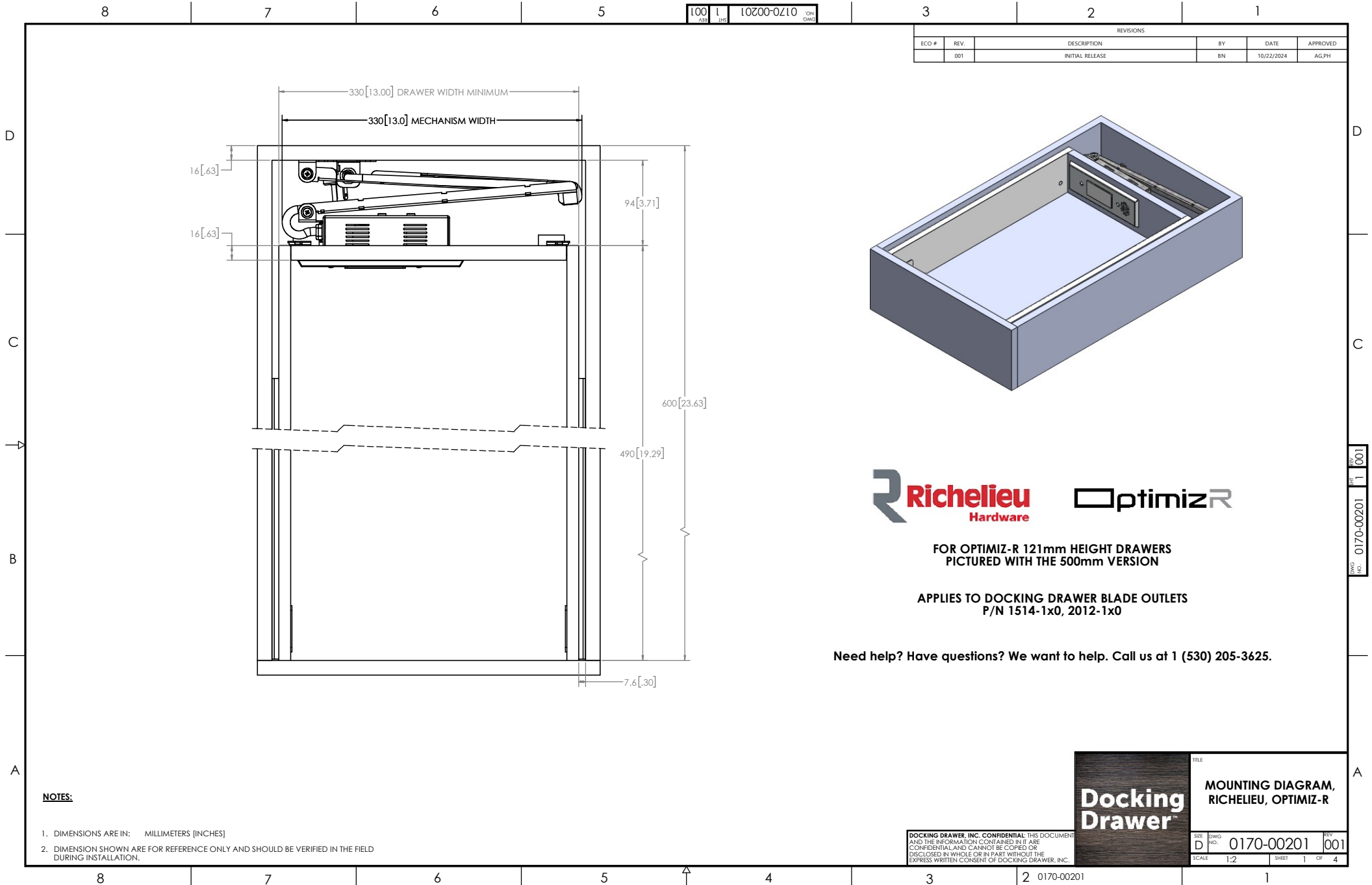
Blade Duo for 121 mm Height Drawers

Back to Contents →



Blade for 121 mm Height Drawers

Back to Contents →



REVISIONS					
ECO #	REV.	DESCRIPTION	BY	DATE	APPROVED
	001	INITIAL RELEASE	BN	10/22/2024	AG.PH



FOR OPTIMIZ-R 121mm HEIGHT DRAWERS
PICTURED WITH THE 500mm VERSION

APPLIES TO DOCKING DRAWER BLADE OUTLETS
P/N 1514-1x0, 2012-1x0

Need help? Have questions? We want to help. Call us at 1 (530) 205-3625.

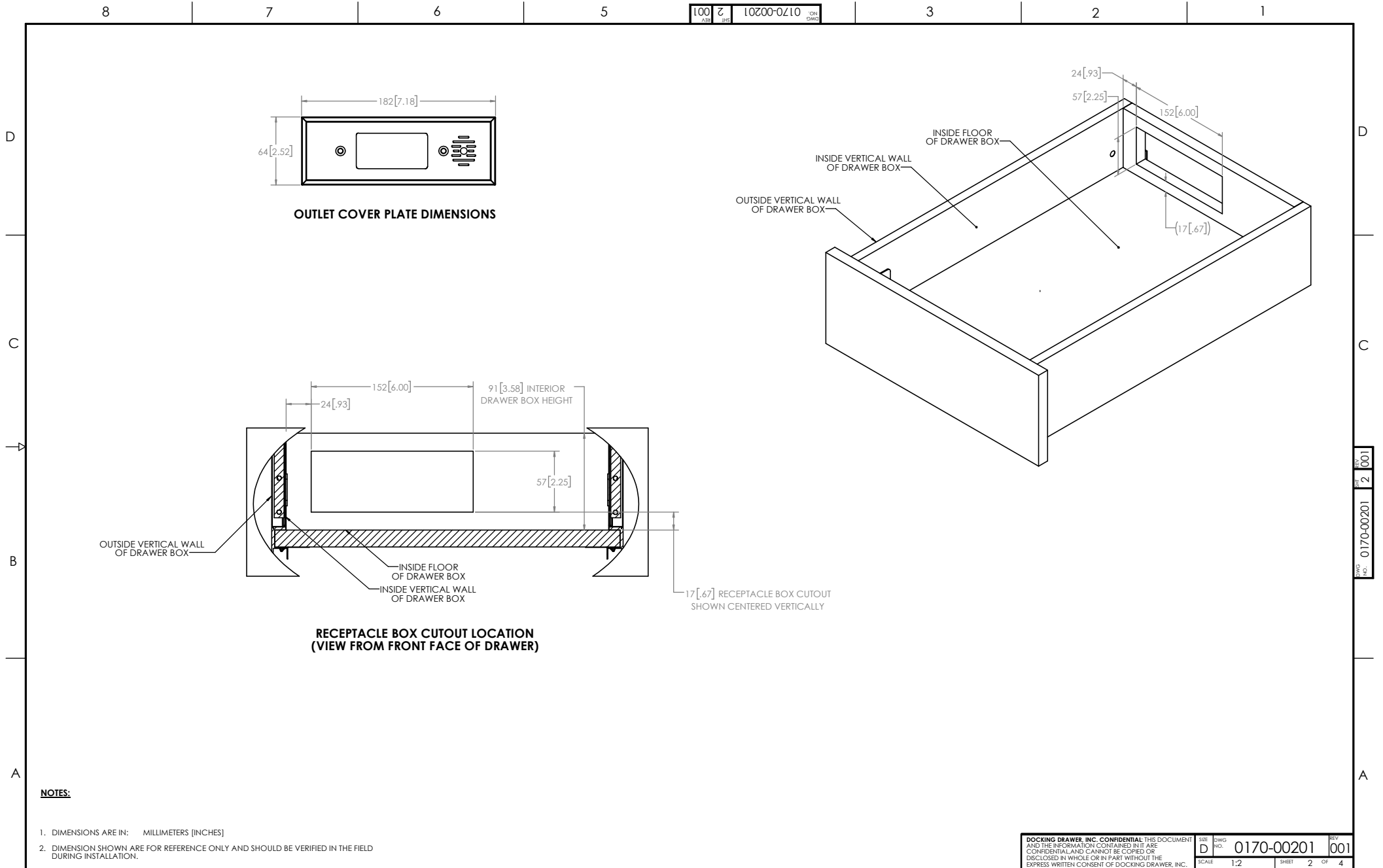
NOTES:

1. DIMENSIONS ARE IN: MILLIMETERS [INCHES]
2. DIMENSION SHOWN ARE FOR REFERENCE ONLY AND SHOULD BE VERIFIED IN THE FIELD DURING INSTALLATION.

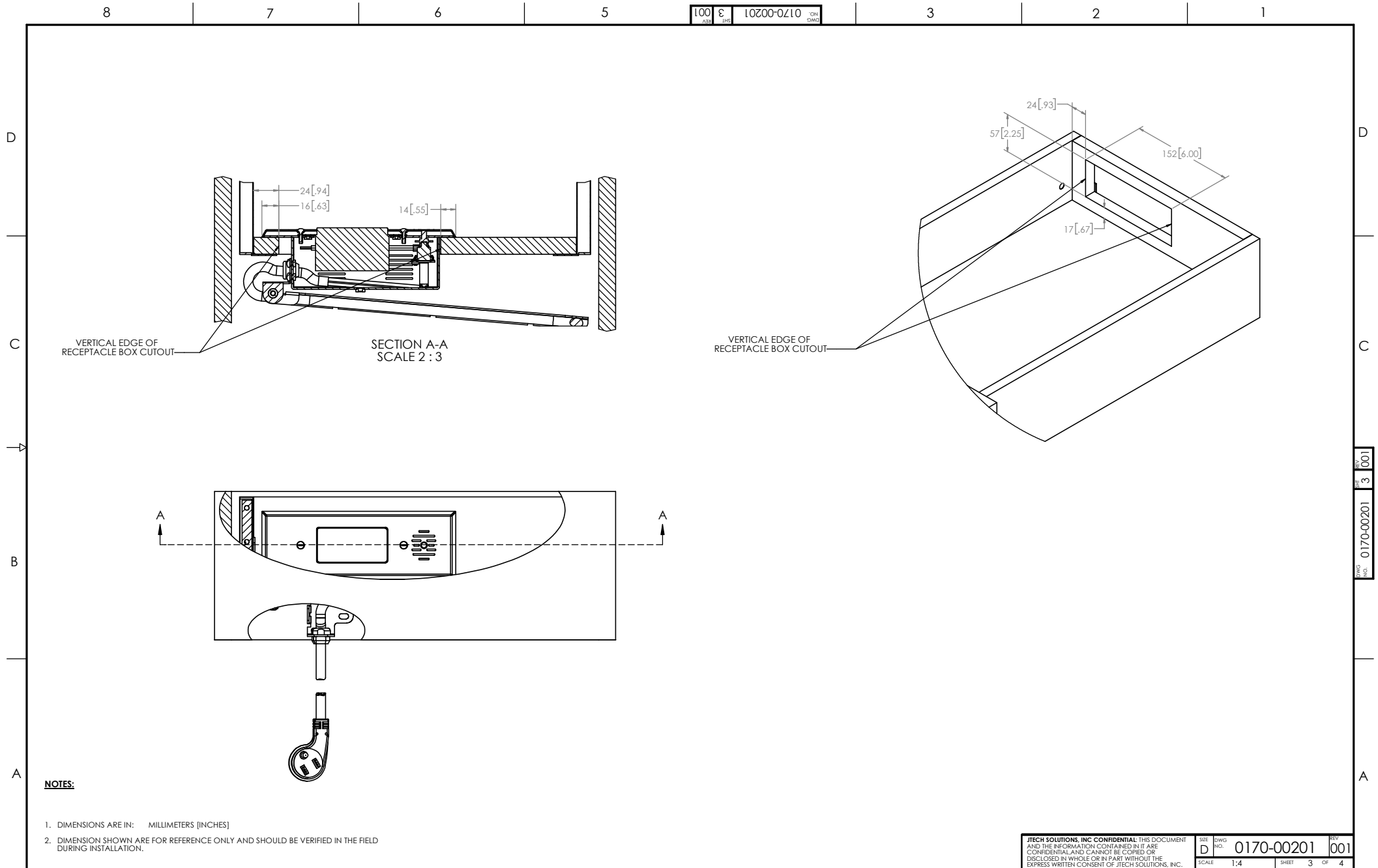
DOCKING DRAWER, INC. CONFIDENTIAL: THIS DOCUMENT AND THE INFORMATION CONTAINED IN IT ARE CONFIDENTIAL AND CANNOT BE COPIED OR DISCLOSED IN WHOLE OR IN PART WITHOUT THE EXPRESS WRITTEN CONSENT OF DOCKING DRAWER, INC.

Docking Drawer	TITLE		
	MOUNTING DIAGRAM, RICHELIEU, OPTIMIZ-R		
SIZE	DWG. NO.	REV.	
D	0170-00201	001	
SCALE	1:2	SHEET	1 OF 4

Blade for 121 mm Height Drawers



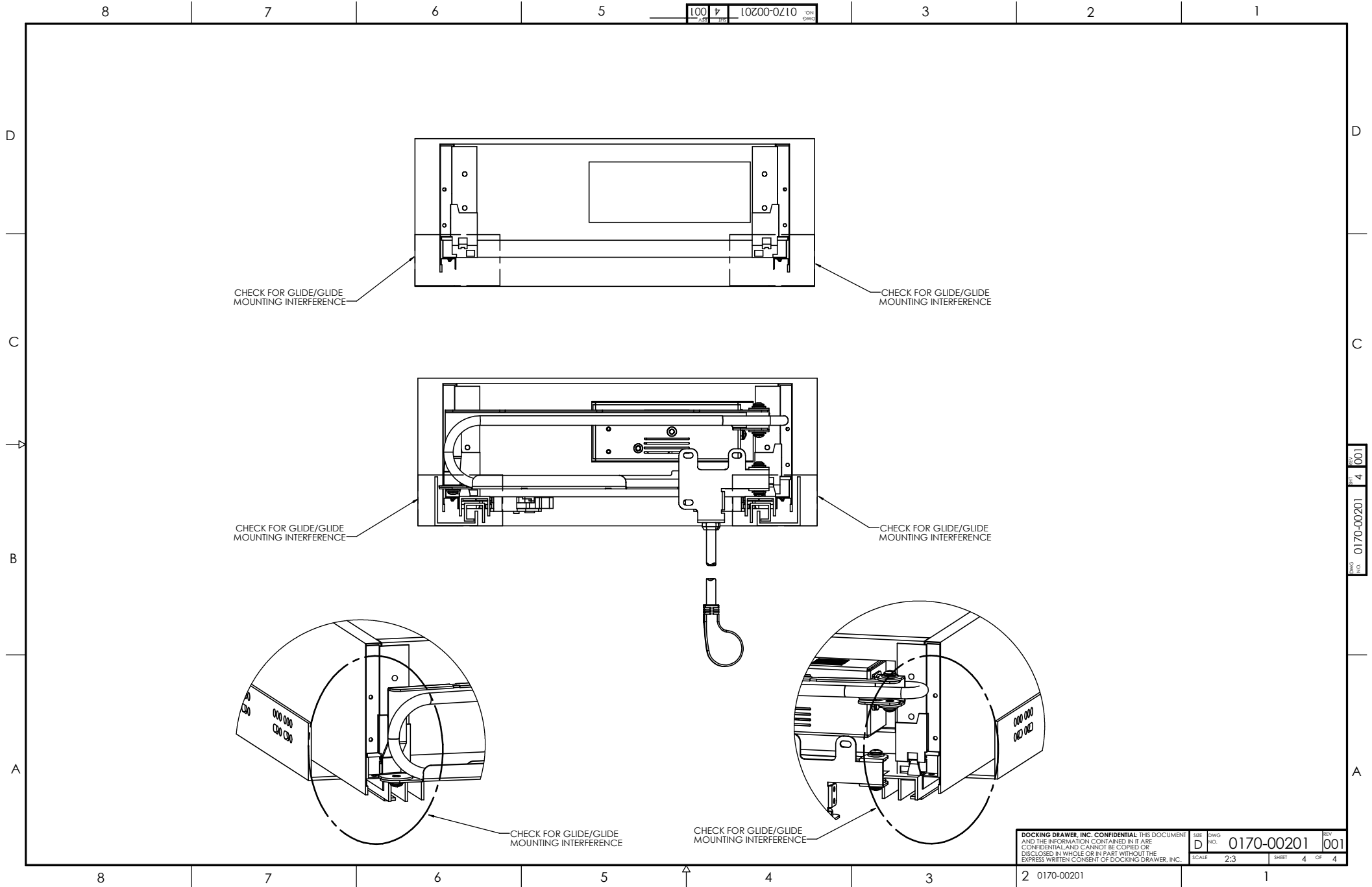
Blade for 121 mm Height Drawers



100 10200-0210 DWG

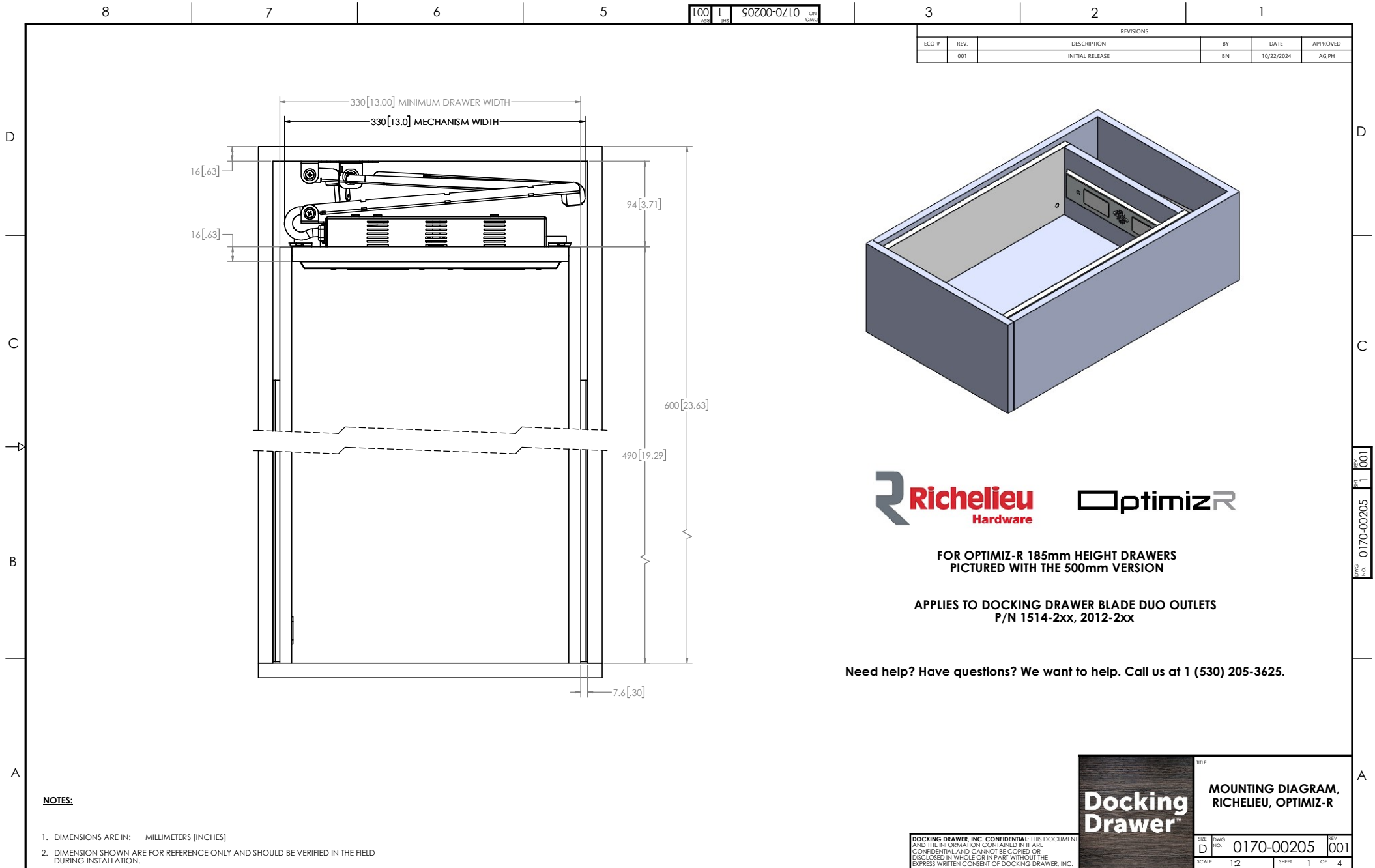
JTECH SOLUTIONS, INC. CONFIDENTIAL-THIS DOCUMENT AND THE INFORMATION CONTAINED IN IT ARE CONFIDENTIAL AND CANNOT BE COPIED OR DISCLOSED IN WHOLE OR IN PART WITHOUT THE EXPRESS WRITTEN CONSENT OF JTECH SOLUTIONS, INC.		SIZE D	DWG NO. 0170-00201	REV 001
2 0170-00201		SCALE 1:4	SHEET 3	OF 4

Blade for 121 mm Height Drawers



Blade Duo for 185 mm Height Drawers

Back to Contents →



FOR OPTIMIZ-R 185mm HEIGHT DRAWERS
PICTURED WITH THE 500mm VERSION

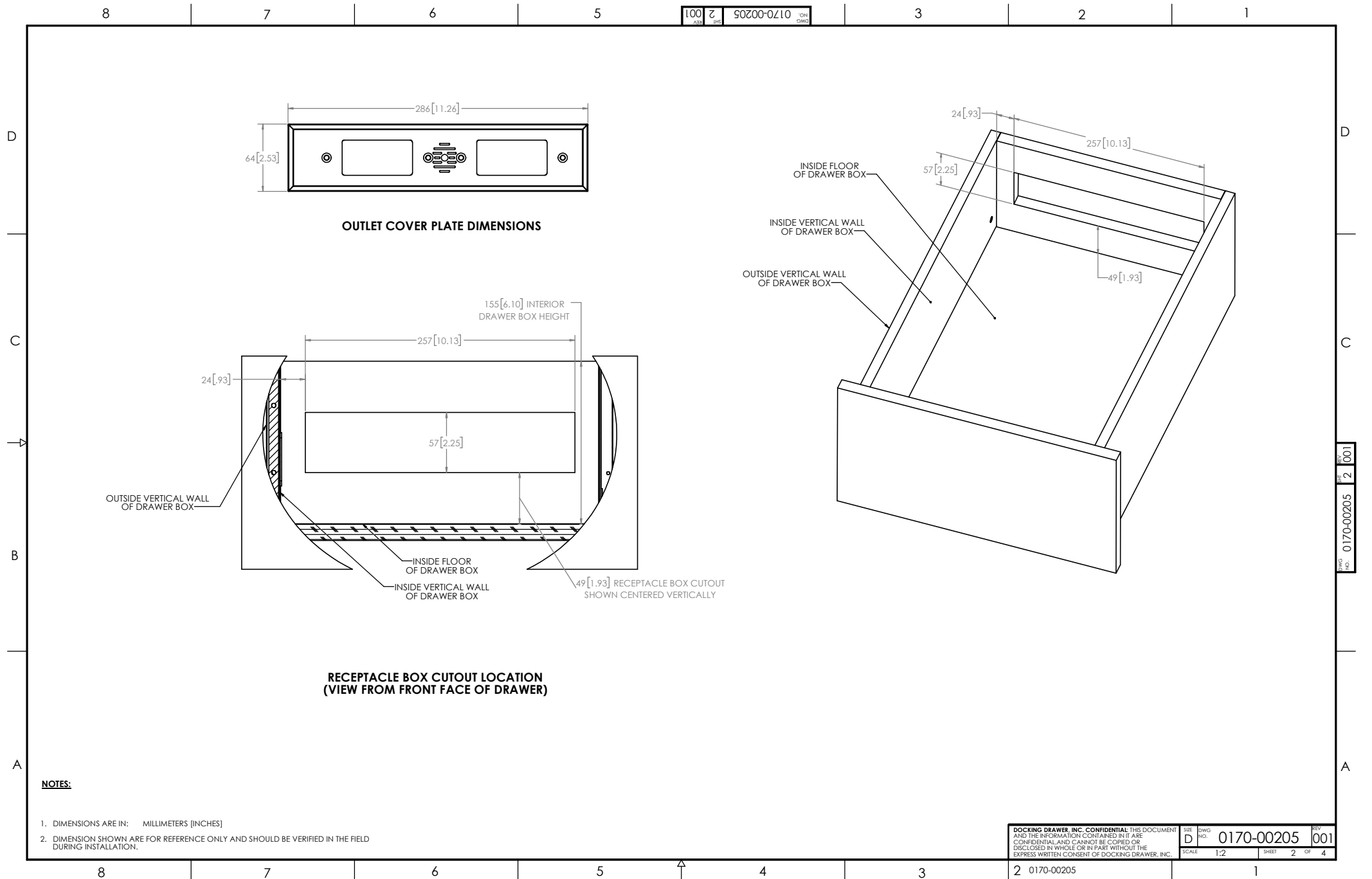
APPLIES TO DOCKING DRAWER BLADE DUO OUTLETS
P/N 1514-2xx, 2012-2xx

Need help? Have questions? We want to help. Call us at 1 (530) 205-3625.

Blade Duo for 185 mm Height Drawers

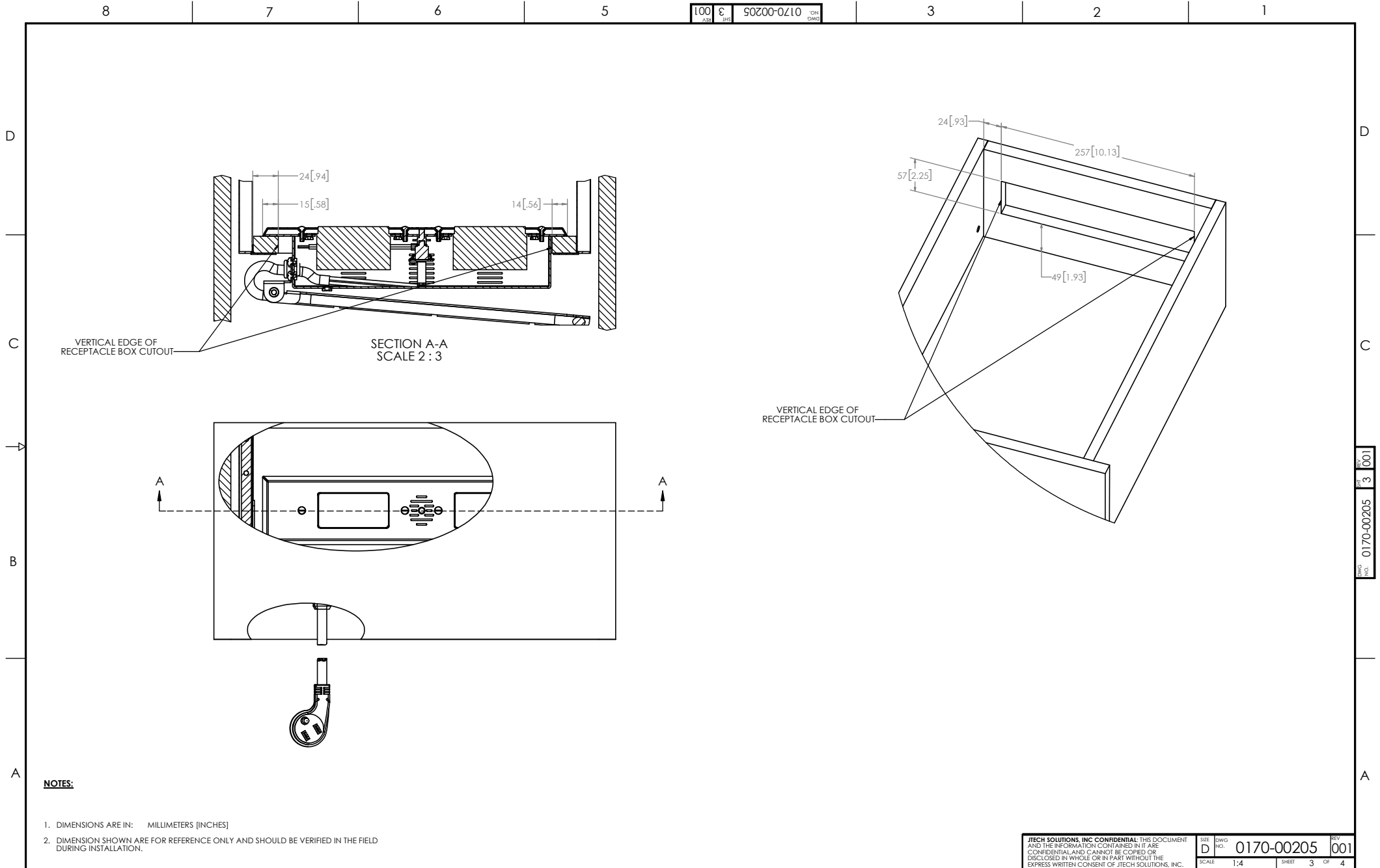
Back to Contents →

100 2 0170-00205 0170-00205 0170-00205



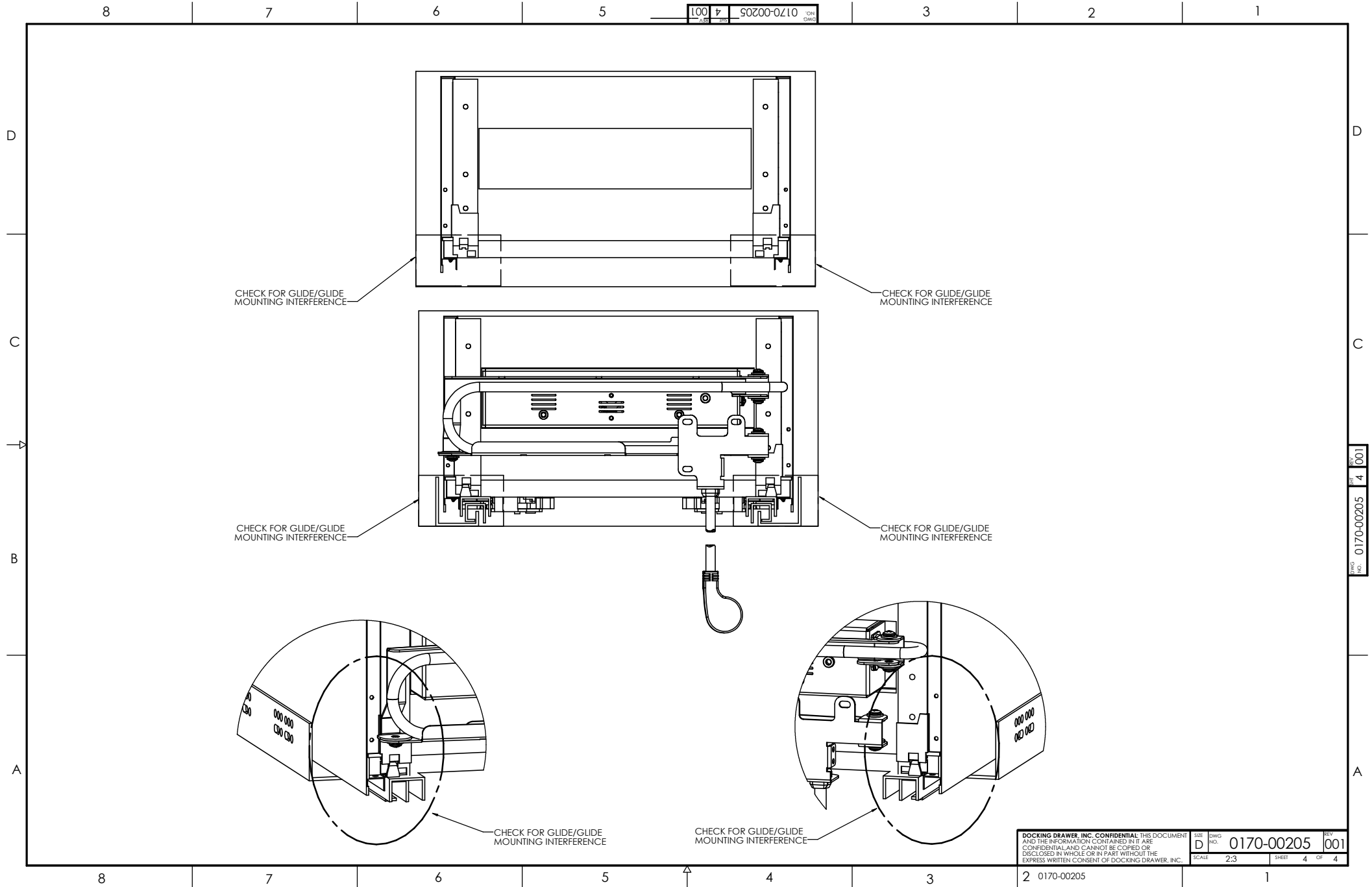
Blade Duo for 185 mm Height Drawers

Back to Contents →



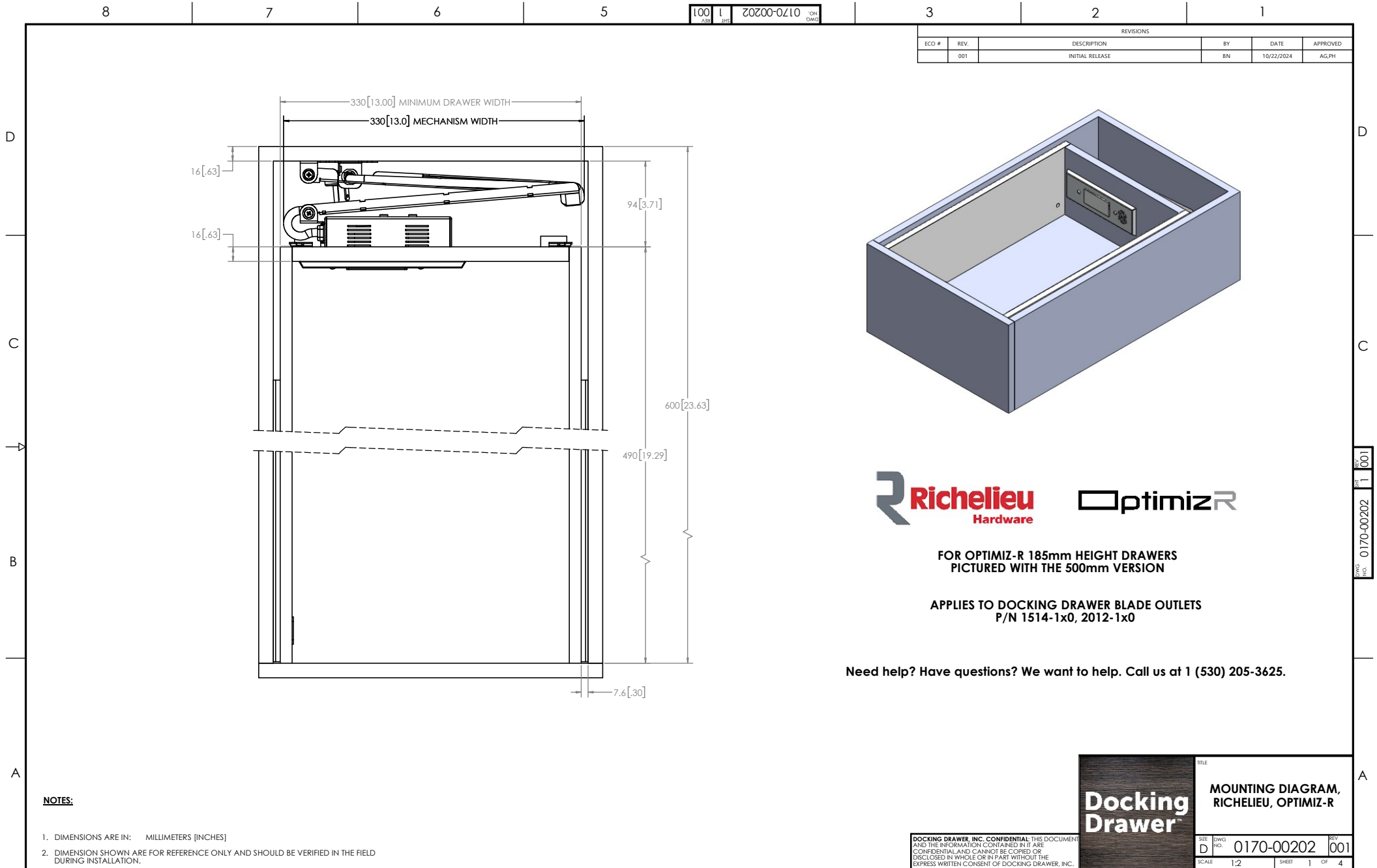
Blade Duo for 185 mm Height Drawers

Back to Contents →



Blade for 185 mm Height Drawers

Back to Contents →



REVISIONS					
ECO #	REV.	DESCRIPTION	BY	DATE	APPROVED
	001	INITIAL RELEASE	BN	10/22/2024	AG,PH



FOR OPTIMIZ-R 185mm HEIGHT DRAWERS
PICTURED WITH THE 500mm VERSION

APPLIES TO DOCKING DRAWER BLADE OUTLETS
P/N 1514-1x0, 2012-1x0

Need help? Have questions? We want to help. Call us at 1 (530) 205-3625.

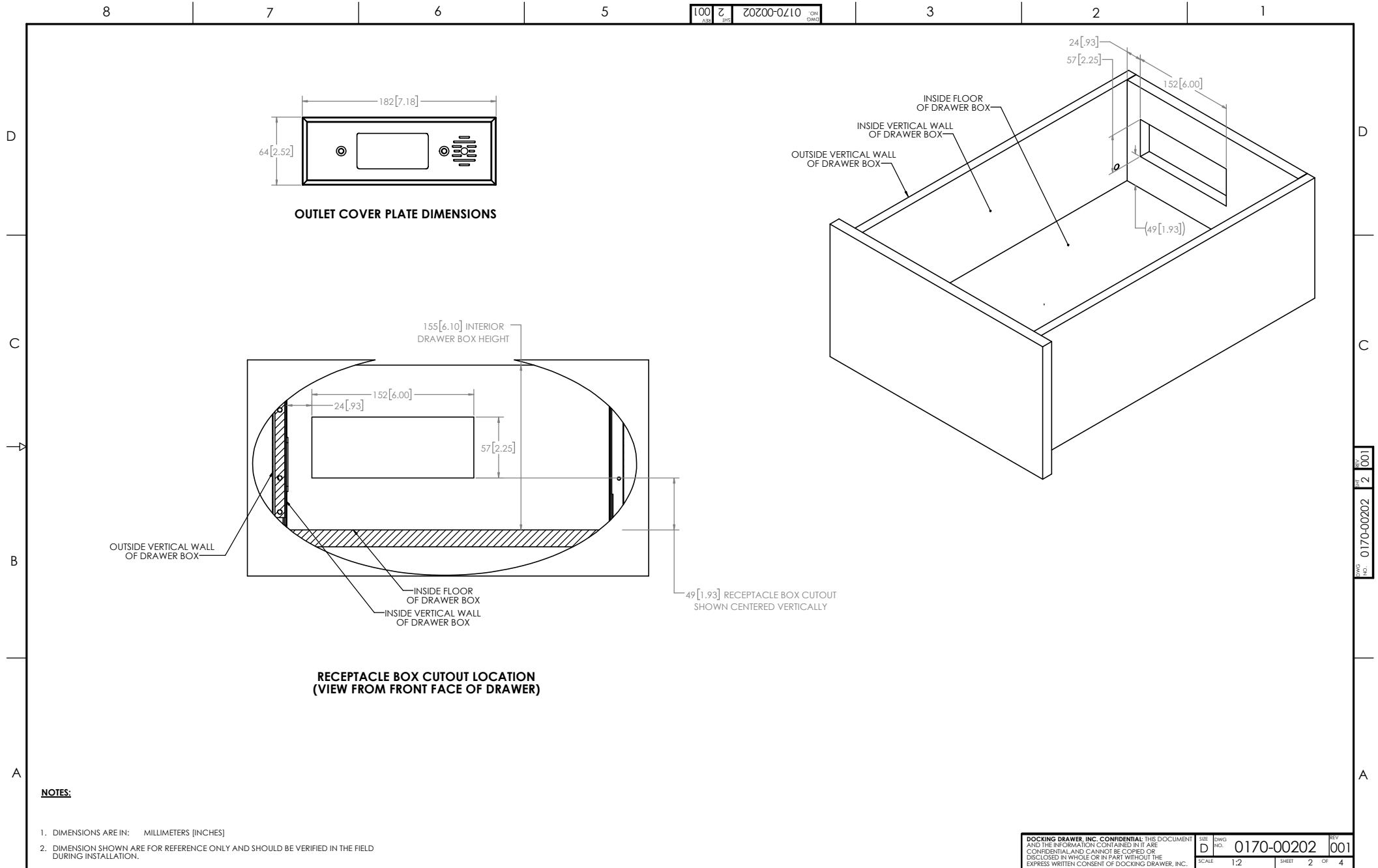
NOTES:

1. DIMENSIONS ARE IN: MILLIMETERS [INCHES]
2. DIMENSION SHOWN ARE FOR REFERENCE ONLY AND SHOULD BE VERIFIED IN THE FIELD DURING INSTALLATION.

DOCKING DRAWER, INC. CONFIDENTIAL THIS DOCUMENT AND THE INFORMATION CONTAINED IN IT ARE CONFIDENTIAL AND CANNOT BE COPIED OR DISCLOSED IN WHOLE OR IN PART WITHOUT THE EXPRESS WRITTEN CONSENT OF DOCKING DRAWER, INC.

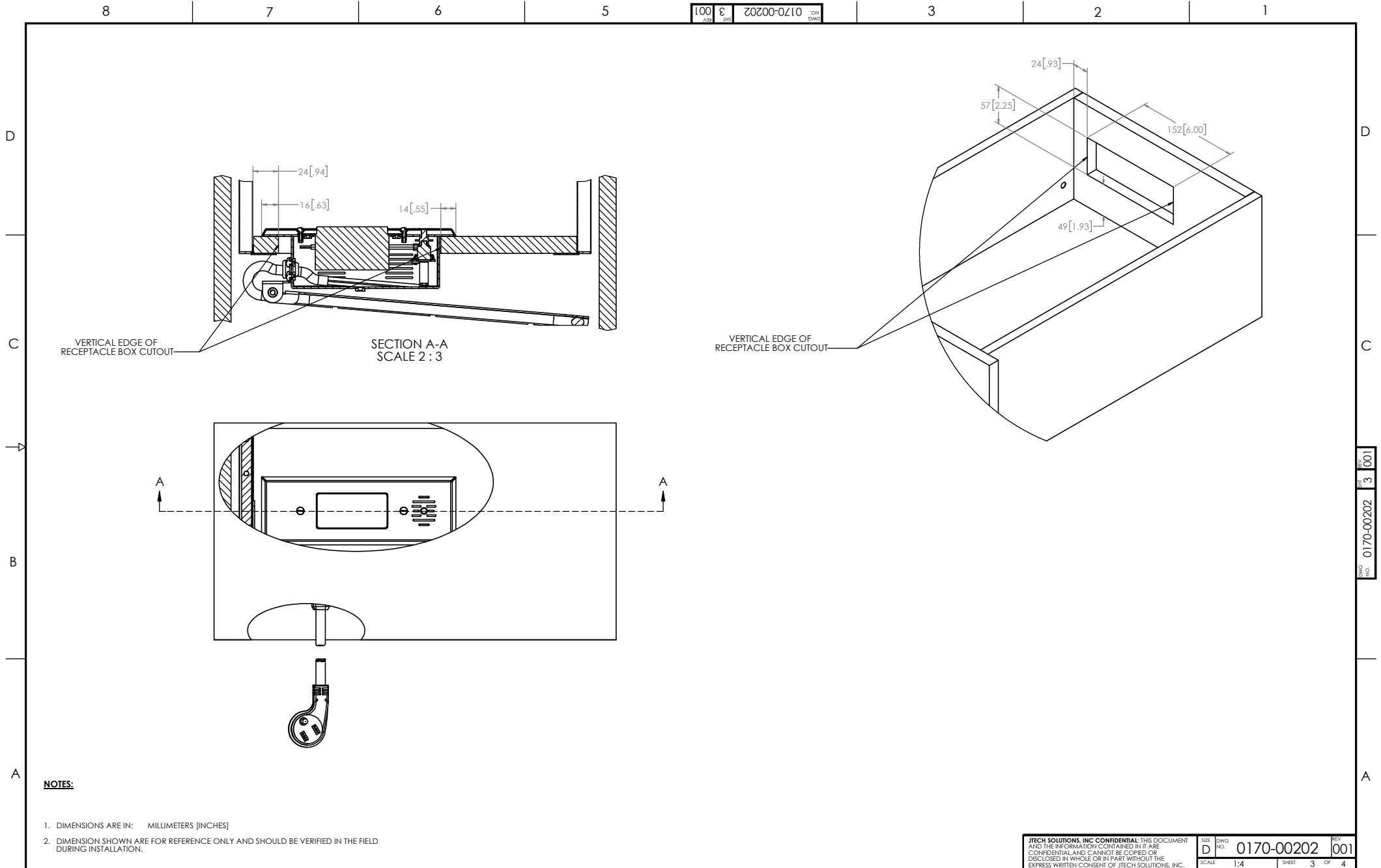
Docking Drawer [™]	TITLE	
	MOUNTING DIAGRAM, RICHELIEU, OPTIMIZ-R	
SIZE	DWG. NO.	REV.
D	0170-00202	001
SCALE	1:2	SHEET 1 OF 4

Blade for 185 mm Height Drawers



Blade for 185 mm Height Drawers

[Back to Contents](#) →



100 3 0170-00202 01N DWG

REV 001
SHEET 3 OF 4
DWG NO. 0170-00202

JTECH SOLUTIONS, INC. CONFIDENTIAL: THIS DOCUMENT AND THE INFORMATION CONTAINED IN IT ARE CONFIDENTIAL AND CANNOT BE COPIED, OR DISCLOSED IN WHOLE OR IN PART WITHOUT THE EXPRESS WRITTEN CONSENT OF JTECH SOLUTIONS, INC.

SIZE	DWG NO.	REV
D	0170-00202	001
SCALE	SHEET	OF
1:4	3	4

Blade for 185 mm Height Drawers

