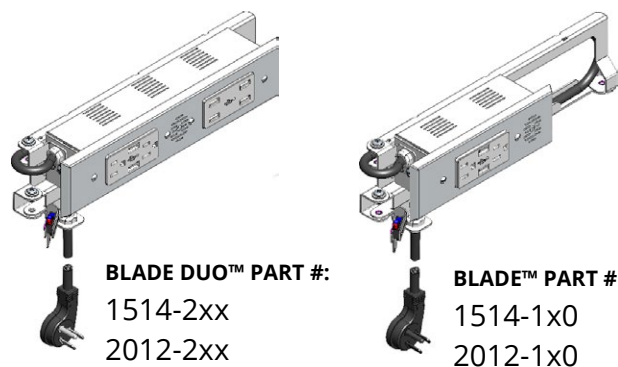


Docking Drawer®

Blade Series Installation Instructions



Time Required - 30 min

- Tools Needed:**
- Screwdriver
 - Jigsaw
 - Drill
 - Measuring Tape
 - Square
 - Pencil
 - Cutout Template

Downloadable Resources

For additional planning resources, visit dockingdrawer.com/downloads

- DXF and STEP Files
- Electrical Planning Guide
- Mounting Diagrams
- Electrical Certifications

Scan code for
Installation Video →



FOR CANADA

Docking Drawer Blade Duo & Blade are ETL Listed for use in Canada when installed with an Interlock Box* that de-energizes the outlet when the drawer starts to close.
(*sold separately)

For installations with optional Interlock Box, see addendum installation manual before starting the outlet installation.

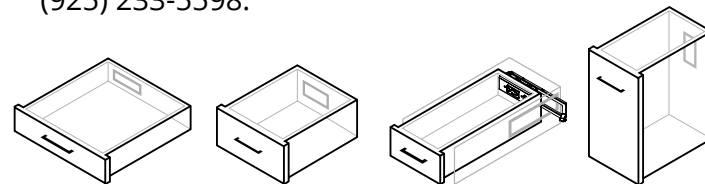
CAUTION - READ CAREFULLY

• Failure to follow these instructions can cause death or permanent injury. Do not work on live electrical circuits! Make absolutely certain power is off before connecting the device!

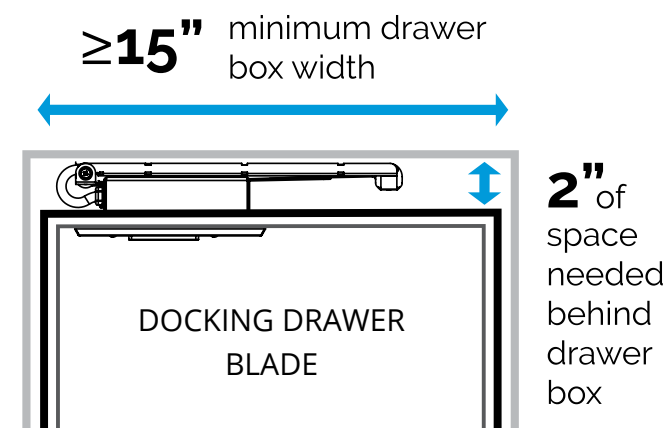
- This product is for dry, indoor and permanent installations only.
- Install the device in accordance with all national and local electrical codes.

How to Install the Outlet

There are 4 methods to install the Blade Series depending on your drawer box type. The following instructions detail the installation process for Shallow drawer box types. Need more detail for the other options? Call us at (925) 233-5598.

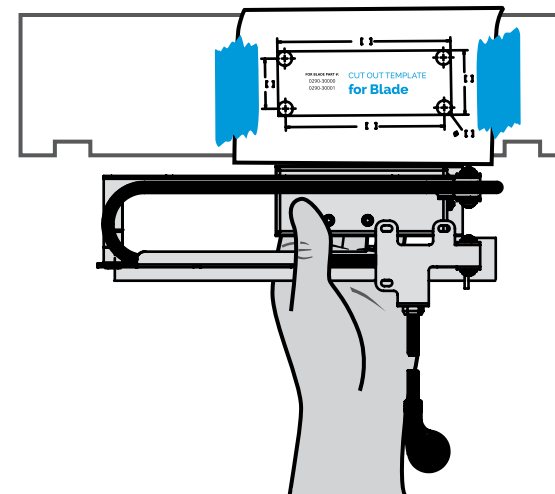


Step 1 - Verify there is space available for the in-drawer outlet behind the drawer box. The Docking Drawer Blade Duo and Blade require at least 2" of space behind the drawer box and 15" minimum drawer box width.

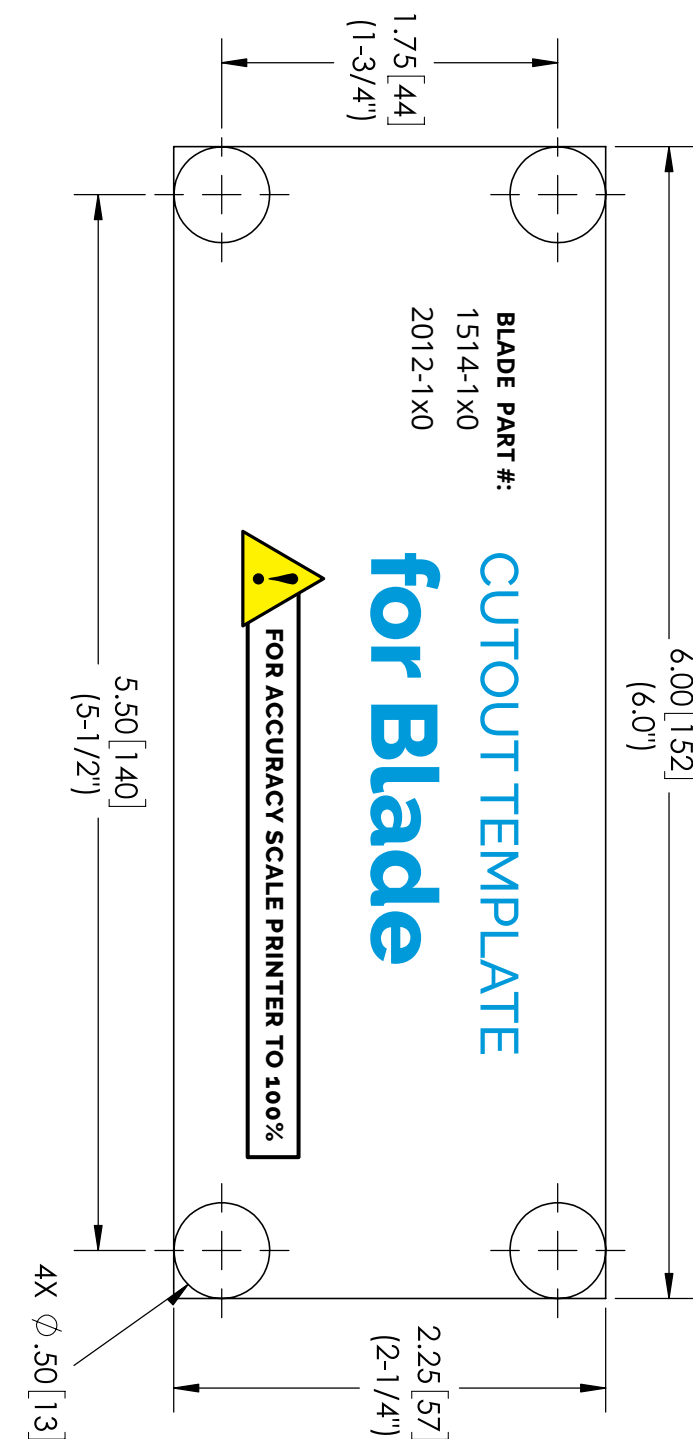
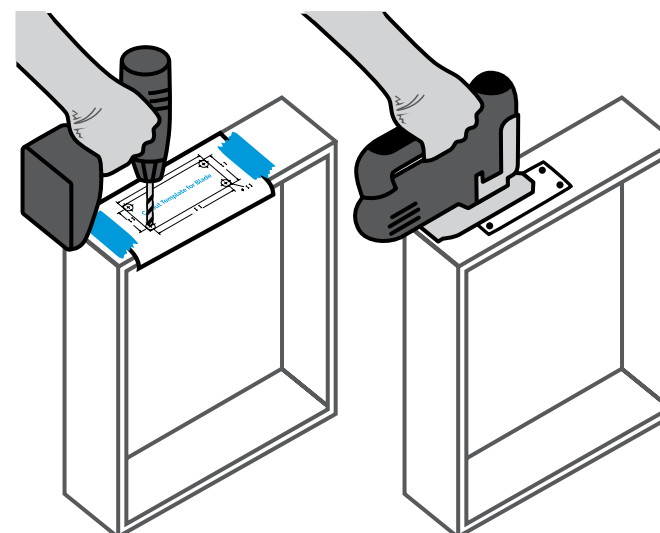


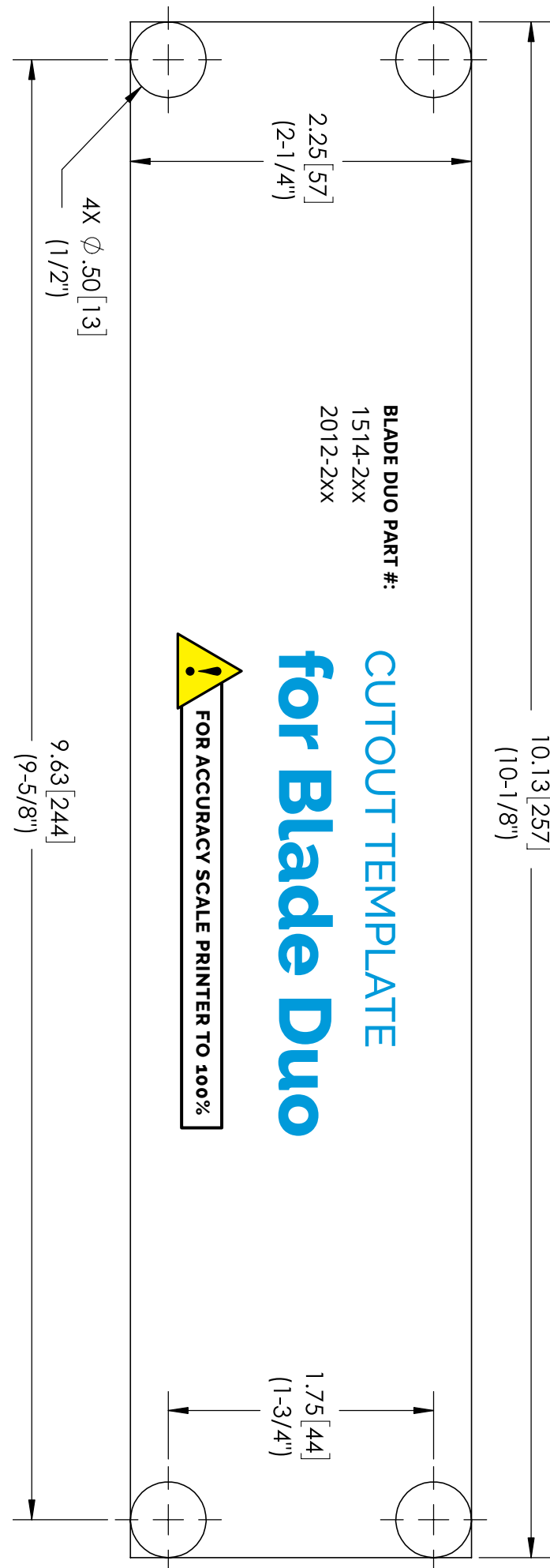
Step 2 - Remove the cutout template and flip to the side that corresponds with your product's part number.

Step 3 - Locate the proper location for the receptacle box cutout using our cutout template. You can locate the proper location from either the inside or backside of the drawer box, making sure that the arms will not interfere with the slides and that there is enough material surrounding the receptacle box to securely hold it in place.

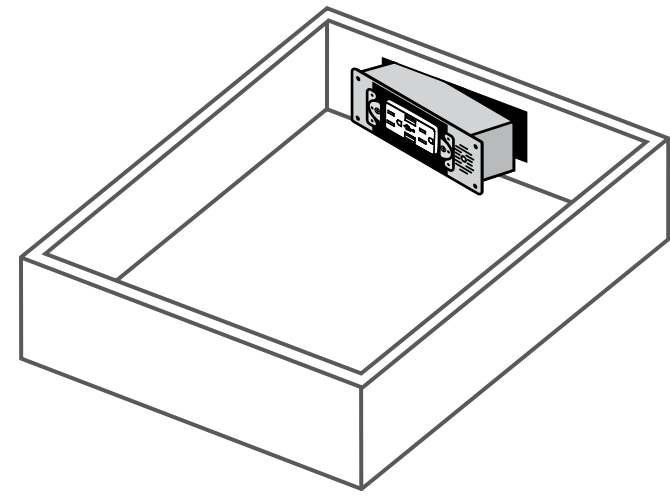


Step 4 - With a 1/2" drill bit, drill a hole in each corner, being careful not to splinter the wood on the inside of the drawer box. Using one of the 1/2" holes, insert a jigsaw and then make the required cutouts in the drawer box.

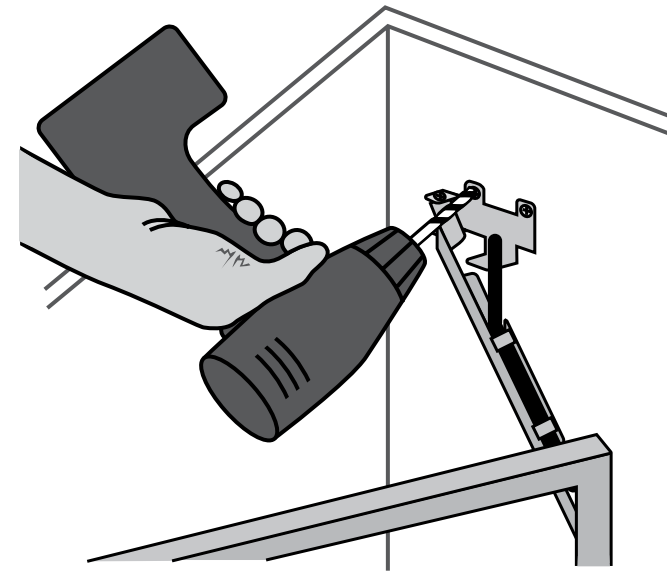




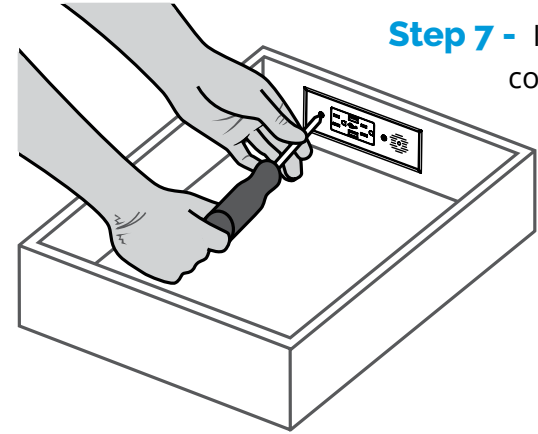
Step 5 - Reinstall the drawer box and slide the Docking Drawer Blade Series receptacle box through the cutout. Secure it with the 4 receptacle box mounting screws.



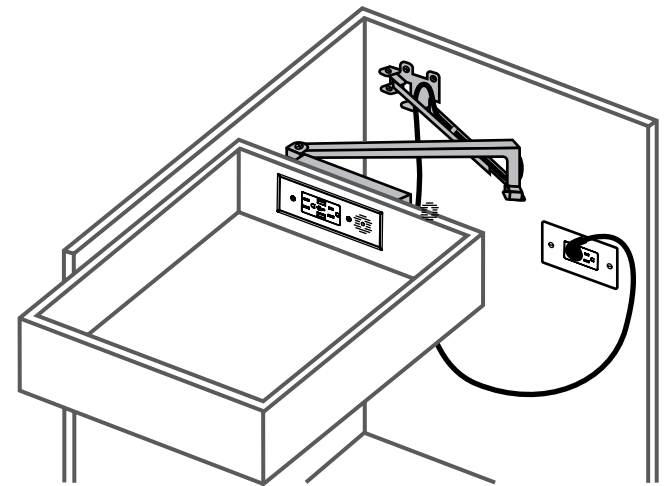
Step 6 - Align arms. With the drawer mostly closed, mark the position of the rear mounting bracket. It is important to make sure the drawer moves freely in and out and that the arms are square and even. Spend sufficient time at this step before fastening the bracket to the rear wall to make sure everything is square and the arms are in the correct position. Once that is done, secure with the 3 rear mounting bracket screws provided.



Step 7 - Install the cover plate.

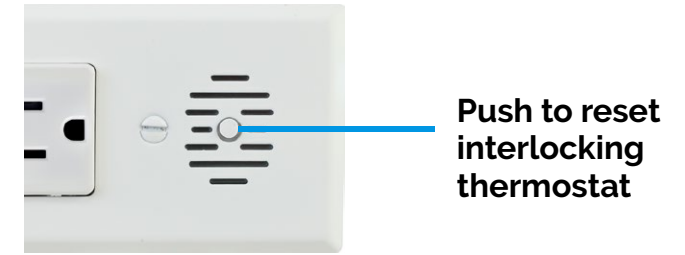


Step 8 - Connect the Docking Drawer power cord to the in-cabinet electrical supply. For more details about locating an in-cabinet electrical supply for your Docking Drawer installation, please refer to the Electrical Planning Guide located at dockingdrawer.com/downloads.

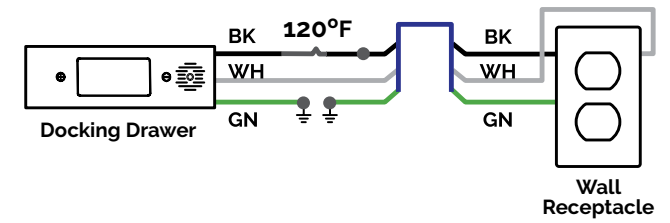


How to Operate the Outlet

The 15 and 20 amp Blade Duo and Blade series in-drawer outlets include a 120°F interlocking thermostat to protect against overheating inside the drawer. To reset, correct the source of over temperature and push the button in the center of the vents of the cover plate. Note: You may need to wait a few minutes for the unit to cool before the thermostat can be reset.



Wiring Diagram:



Docking Drawer®

AG022521

Have questions? Need help? Call us!

- ☎ (925) 233-5598
- 🏠 12893 Alcosta Blvd, Suite M, San Ramon, CA 94583
- ✉ sales@dockingdrawer.com
- 🌐 www.dockingdrawer.com