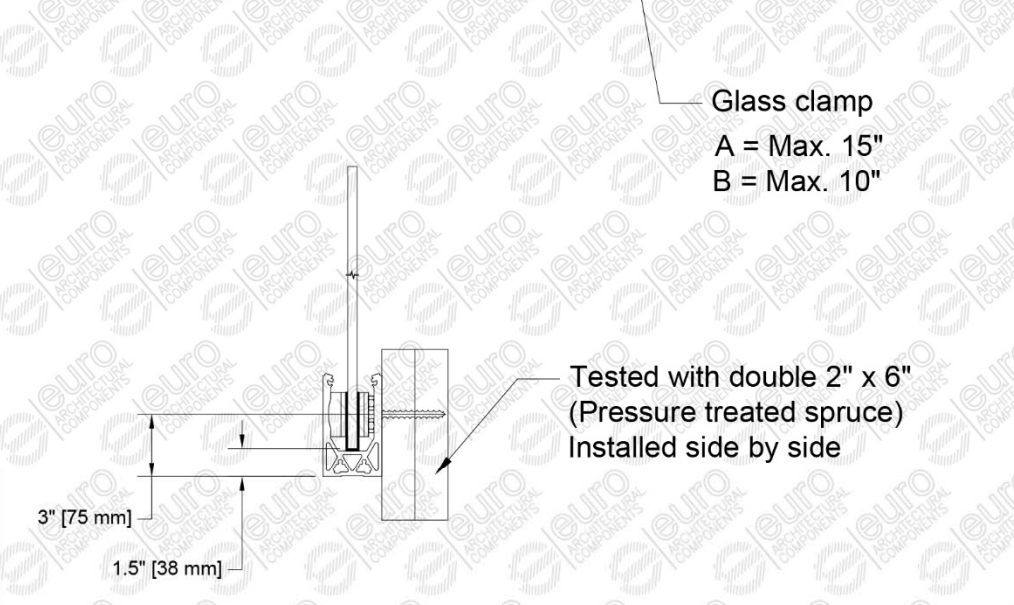


**GENERAL NOTES:**

- 1) THE LOAD RESISTANCE OF THE GLASS AND SPIGOT COMPONENTS INSTALLED IN THE CONFIGURATIONS AS SHOWN MEET THE LOAD REQUIREMENTS SPECIFIED IN SECTIONS 9.8.8.2 AND 4.1.5.14.1 (c) OF THE 2015 NBC AND THE 2012 OBC.
- 2) GLASS THICKNESS IS 1/2" OR 12 MM, AND MUST BE TEMPERED OR LAMINATED SAFETY GLASS INSTALLED IN ACCORDANCE WITH THE REQUIREMENTS OF CAN/CGSB-12.1-M.
- 3) CERTIFICATION IS FOR GUARD COMPONENTS ONLY. FASTENING THE SPIGOT TO THE SUPPORT STRUCTURE IS A SITE CONDITION AND THE INSTALLERS MUST ENSURE THAT THE FASTENERS ARE ADEQUATE TO RESIST THE DESIGN LOADS.
- 4) THE MATERIAL TO WHICH THE GLASS SUPPORTS ARE BEING FASTENED MUST ADEQUATELY RESIST THE DESIGN LOADS.



Glass clamp  
 A = Max. 15"  
 B = Max. 10"

**Fasteners used for testing:**

**On concrete:**

- Wedge anchor 1/2" x 4-1/4"

**On wood:**

- Lag bolt 1/2" with min. 4" embedded in wood or, threaded rod with flat washers and nuts (optional)



FINISH	CODE (10 ft.)
Brush Anodized Al.	SSSM3SIDE10A



127A Aviva Park Dr.,  
 Woodbridge, ON, CANADA  
 www.euroeac.com  
 Toll Free: 1-800-465-7143

TITLE:	Base Shoe Moulding-Tilt Adjustable Side Mount	DATE:	05/24/2018
		SHEET:	1 of 1
		REV:	01