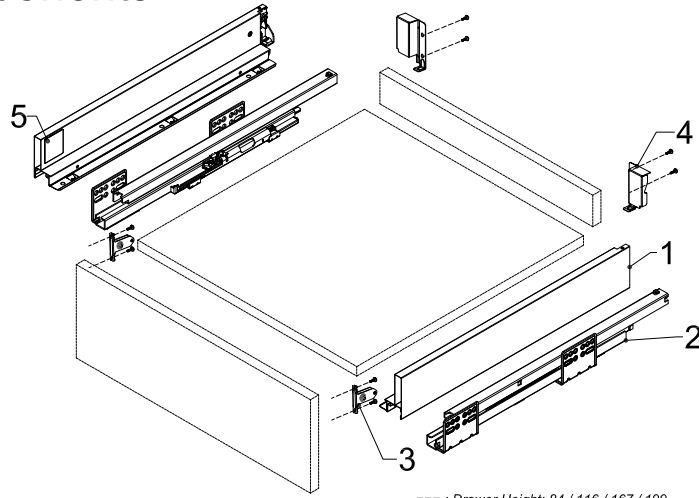




AXIAL Drawer

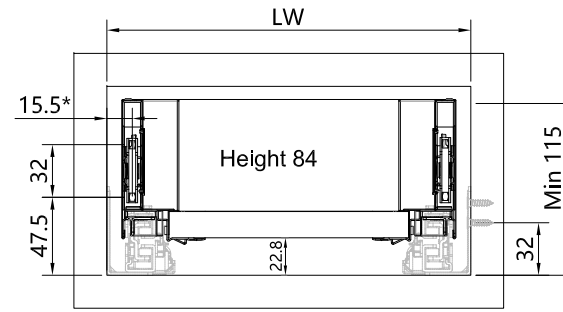
Components



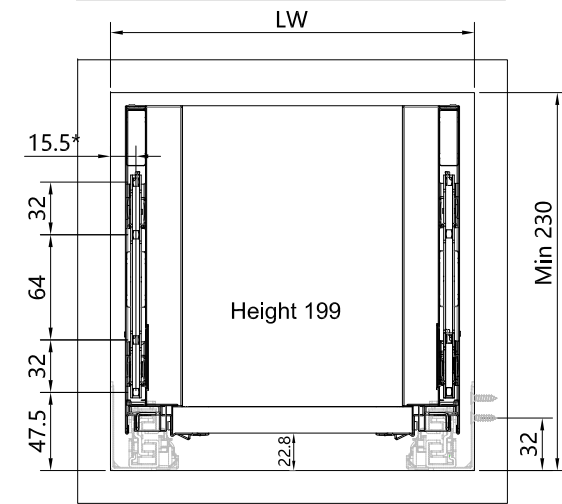
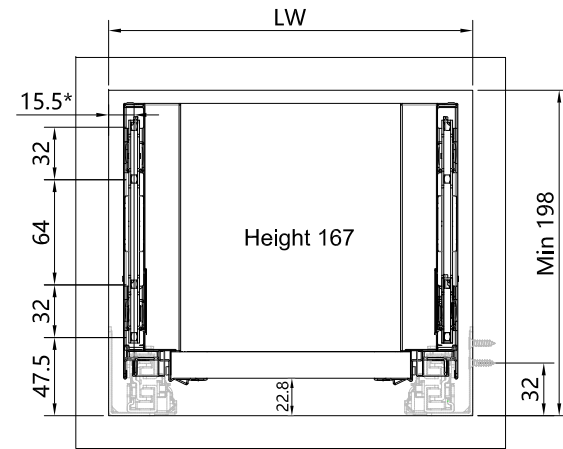
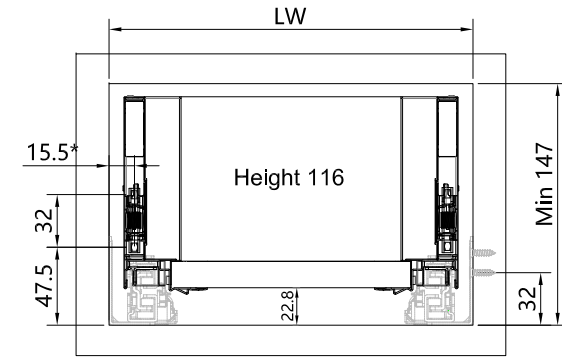
□□□ : Drawer Height: 84 / 116 / 167 / 199 ΔΔΔ: Finish (30 / 100 / 105)

Item No.	Drawer Nominal Length (NL)	Min. Internal Cabinet Depth (LT)
AXL□□□250ΔΔΔ	250	253
AXL□□□300ΔΔΔ	300	303
AXL□□□350ΔΔΔ	350	353
1. AXIAL drawer sides	AXL□□□400ΔΔΔ	403
2. Slides	AXL□□□450ΔΔΔ	453
3. Front Fixing Brackets (w/ dowel)	AXL□□□500ΔΔΔ	503
4. Rear Brackets	AXL□□□550ΔΔΔ	553
5. Side Cover Cap	AXL□□□600ΔΔΔ	603

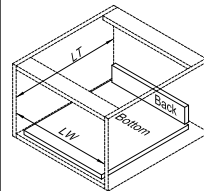
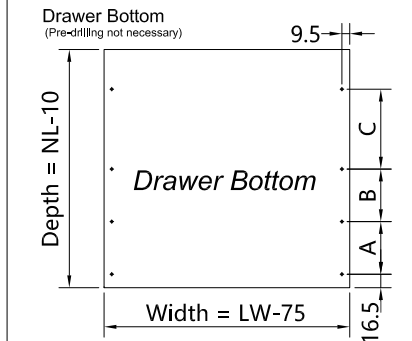
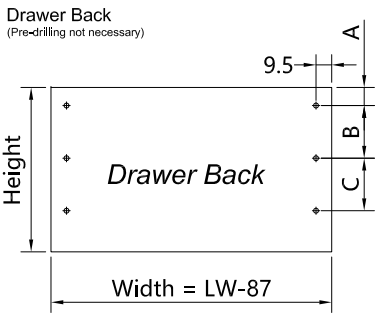
Installation Dimensions (mm)



* Drawer front drilling from edge: 15.5mm + Overlay



Drawer Back & Drawer Bottom Dimensions - 16mm panel

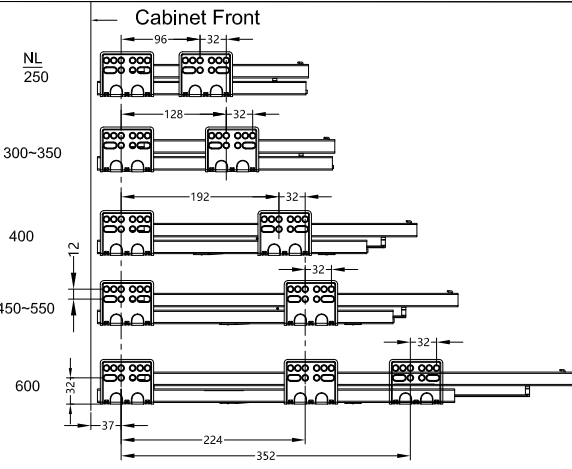


NL: Nominal length
LT: Internal cab. depth
LW: Internal cab. width

Drawer Model	84	116	167	199
Back Width	LW - 87			
Back Height	68	100	151	183
A	20	20	11	20
B	32	32	64	64
C	n/a	32	64	64

NL	250	300	350	400	450	500	550	600
Width	LW - 75							
Depth	NL - 10							
A	161	211	128	160	192	128	160	192
B	n/a	n/a	133	151	169	128	160	160
C	n/a	n/a	n/a	n/a	n/a	155	141	159

Slides Mounting (mm)

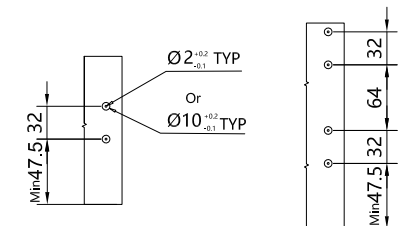


Drawer Front Drilling (mm)

Ø2 x 12	Ø10 x 12
Screw-on	Expanding dowel
⌀7 x 5/8" Pan-head wood scr.	⌀10 expanding dowel

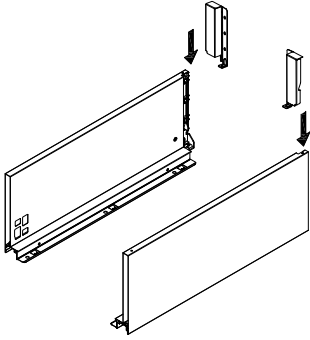
Height 84 / 116

Height 167 / 199

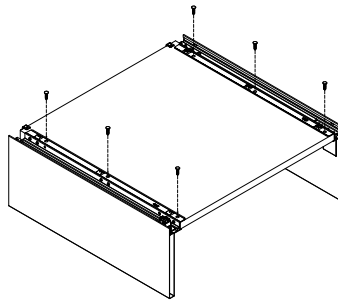


Drawer Assembly

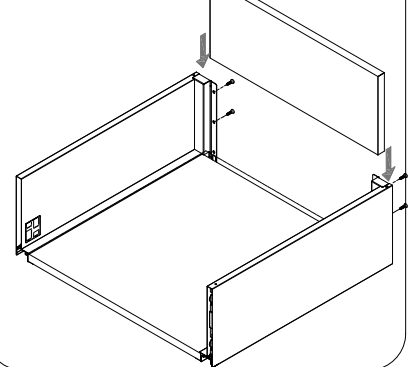
1. Install Rear Brackets to Drawer Sides



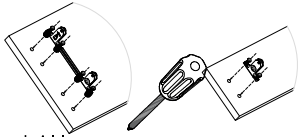
2. Mount drawer bottom



3. Mount drawer back

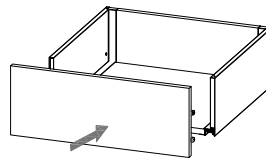


4. Mount Front Fixing Brackets to drawer front

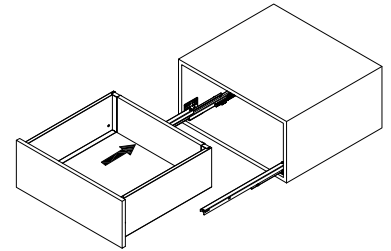


Pre-drill:
 $\phi 10 \times 12.5\text{mm}$ for expanding dowels
 $\phi 2 \times 12.5\text{mm}$ for screw-on

5. Insert drawer front

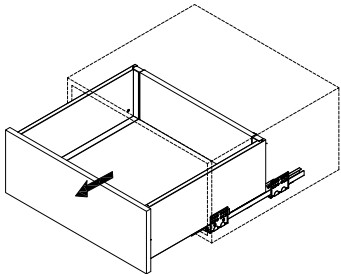


6. Insert drawer

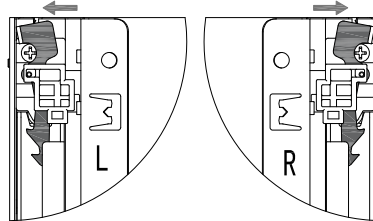


Drawer Removal

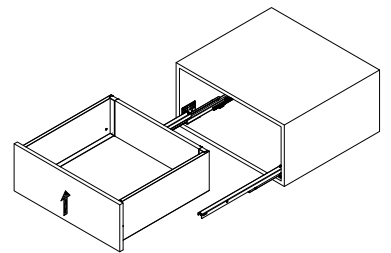
1. Fully open drawer



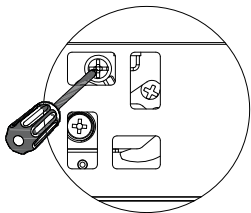
2. Press locking levers to release drawer from slides



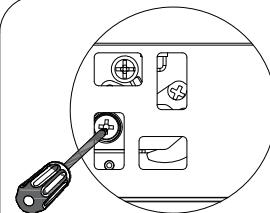
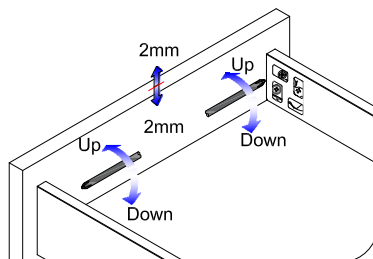
3. Lift & remove drawer



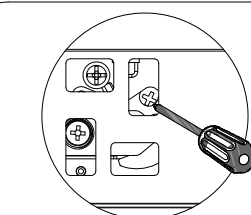
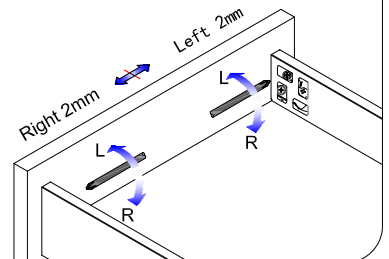
Drawer Front Adjustments



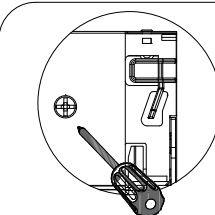
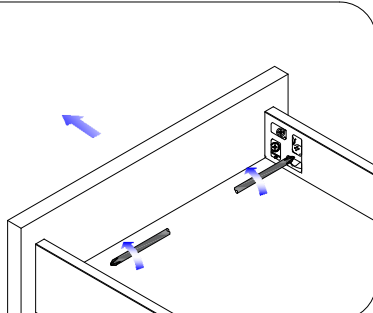
Vertical adjustment



Lateral adjustment



Removal



Tilting

