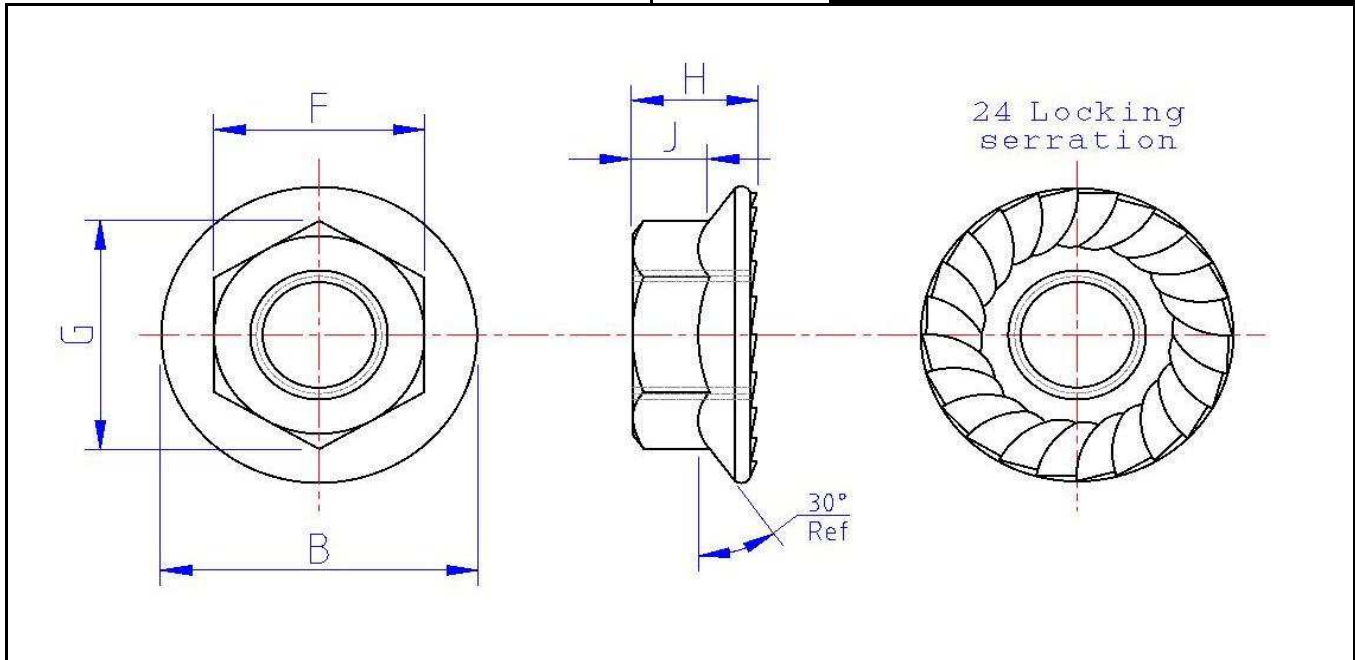




Brand	Root
	HFNZ...



unit: INCH

THREAD SIZE UNC Class 2B		F ACROSS FLAT	G ACROSS CORNERS	B FLANGE DIA.	H NUT THICKNESS	J WRENCHING HEIGHT	THREAD PER INCH
1/4	Min	0.428	0.488	0.574	0.222	0.140	20
	Max	0.438	0.505	0.594	0.236		
5/16	Min	0.489	0.557	0.660	0.268	0.170	18
	Max	0.500	0.577	0.680	0.283		
3/8	Min	0.551	0.628	0.728	0.330	0.230	16
	Max	0.563	0.650	0.750	0.347		
1/2	Min	0.736	0.840	1.000	0.437	0.310	13
	Max	0.750	0.866	1.031	0.458		

Hex Flange Nut with Serration, Coarse Thread, GRADE 2, Zinc plated

Root =

Bulk Label Description:

- English: HEX FLANGE NUT, SERRATED, ZINC
- French: ÉCROU HEXAGONAL À COLLERETTE AVEC SÉRRATIONS, ZINC
- Spanish: TUERCA HEXAGONAL, DENTADO CON PESTAÑA, ZINC

Date : 22 janvier 2019

Done by : P.B.