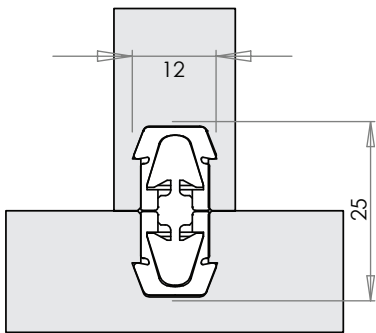
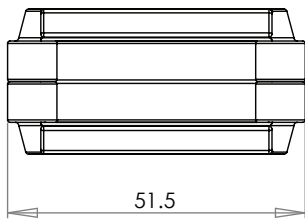
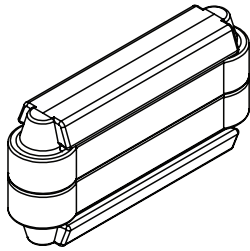


# OVVO® Connection System

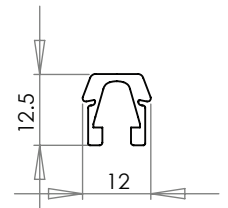
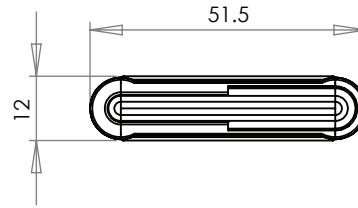
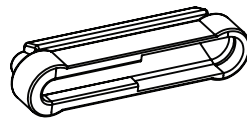
## 1240 Releasable Specifications



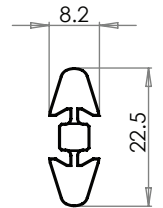
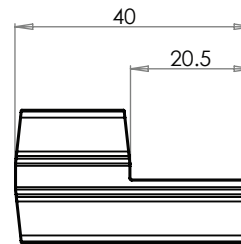
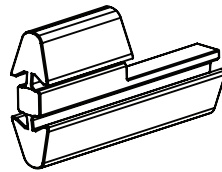
### 1240 Releasable



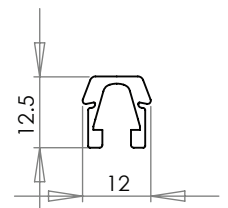
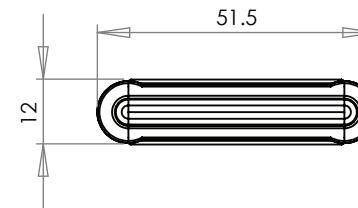
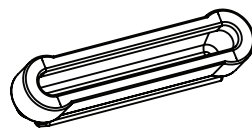
### 1240RH



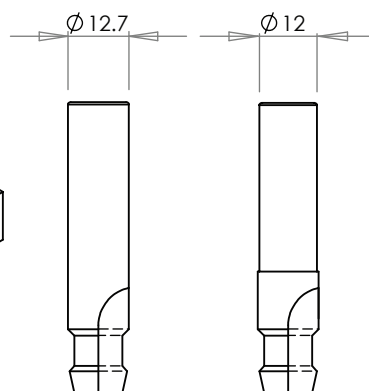
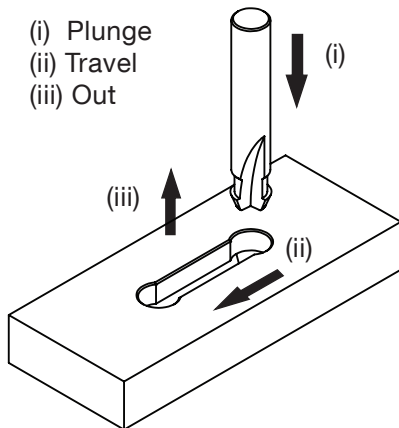
### 1240RC



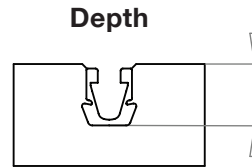
### 1240PH



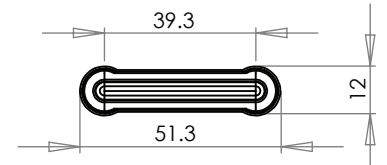
- (i) Plunge
- (ii) Travel
- (iii) Out



#### Depth



#### Travel



**Depth Tolerances:** 12.9mm, +/- 0.5mm

**Travel (Centre to Centre):** 39.3mm

**Out to Out:** 51.3mm

*CNC speeds vary with different materials.  
Maximum cutter rotation: 18,000*