

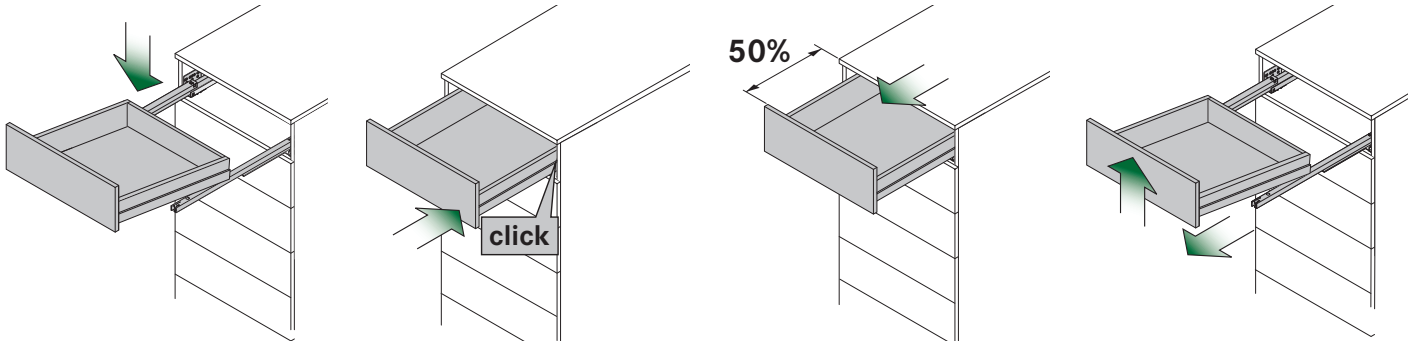
Technical Information

Nova Pro Scala

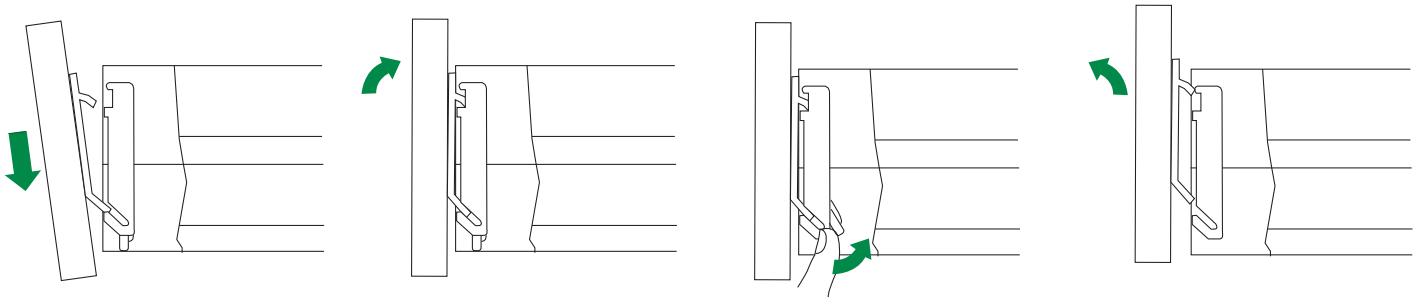
Inserting Drawer

Removing Drawer

Place drawer on extended Nova Pro slide and push in until it engages audibly



Drawer Front Assembly



Front Assembly

1. Angle the front panel with the installation hooks into the lower slanted slot (0-positioning with the installation hooks).
2. Tilt the front in and...
3. Press down.

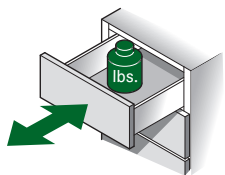
Front Removal

1. Press the lever
2. Remove front panel.

Weight Capacities per Pair of Slides

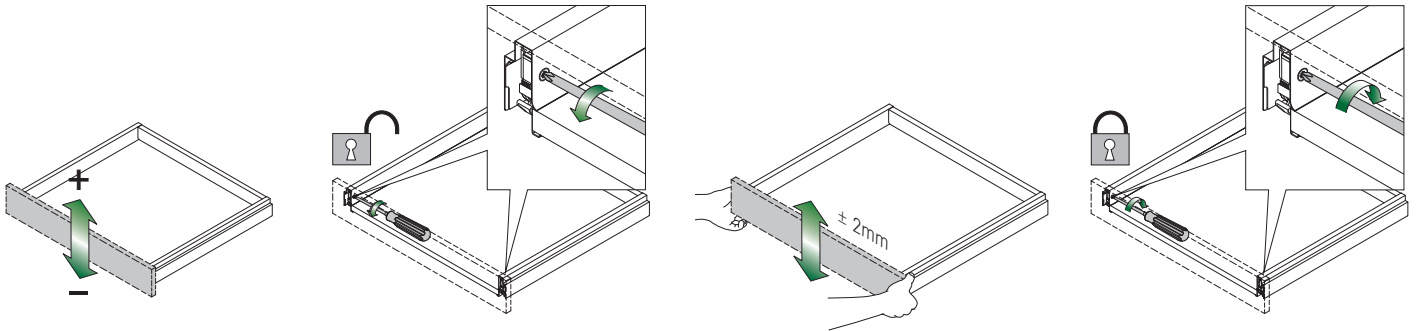
Nova Pro Scala is available in two load ratings: 88 lb and 154 lb dynamic load rating

Nova Pro Scala meets and exceeds the minimum requirements of ANSI/BHMA A156.9 Standard, Grade 1

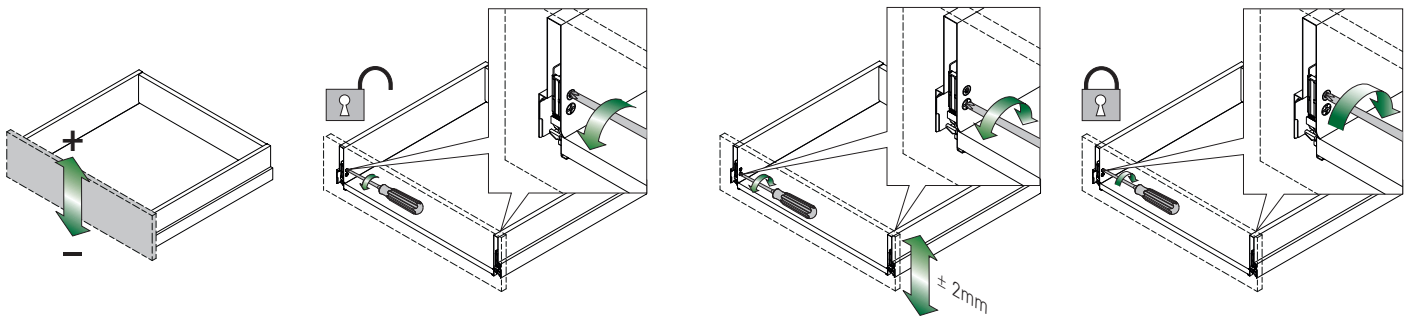


Height Adjustment $\pm 2\text{mm}$

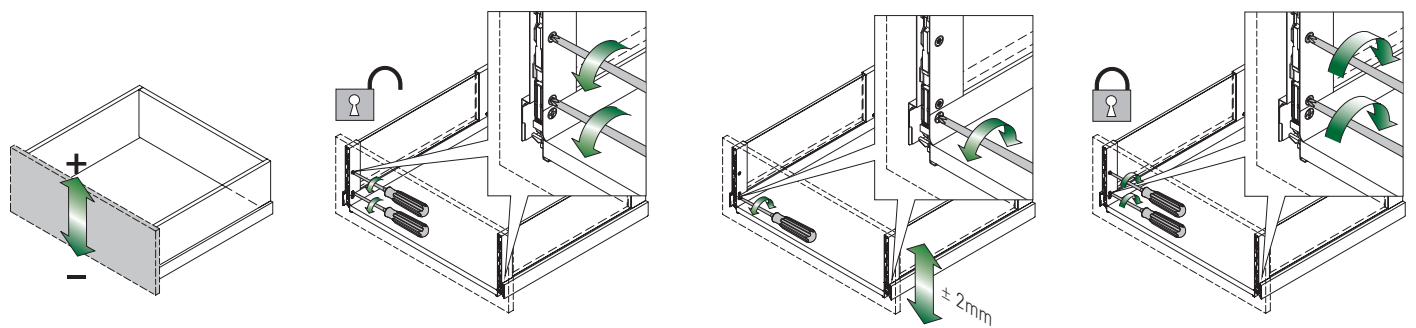
H63



H90



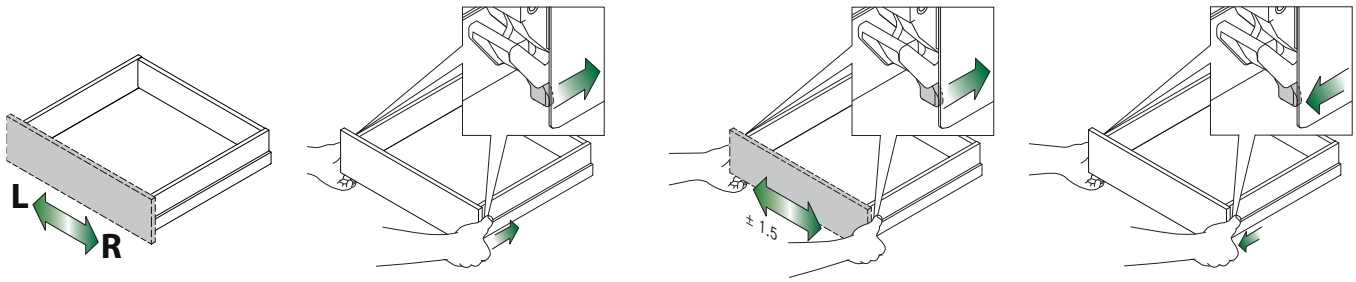
H186 & H250



Technical Information

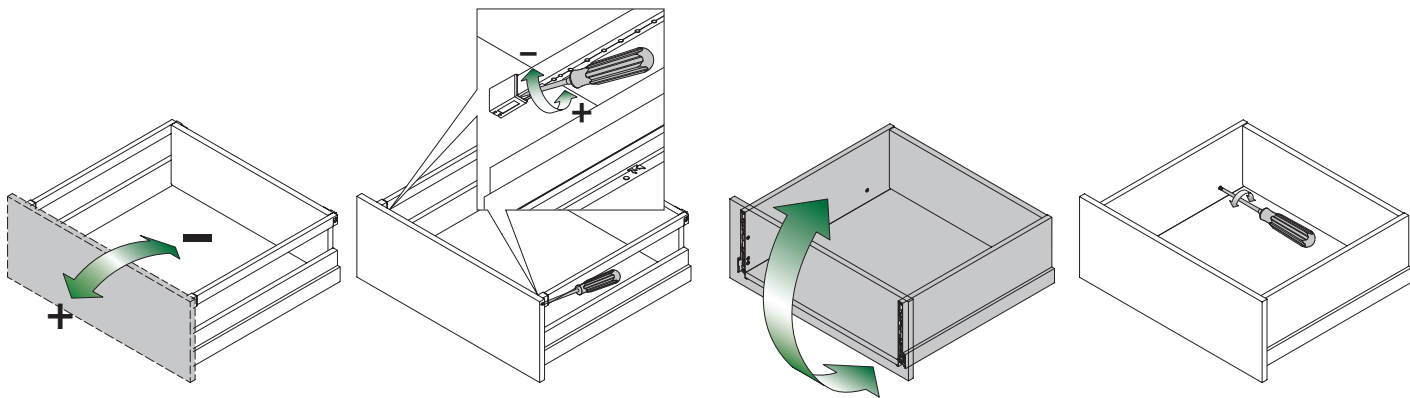
Nova Pro Scala

Side Adjustment $\pm 1.5\text{mm}$

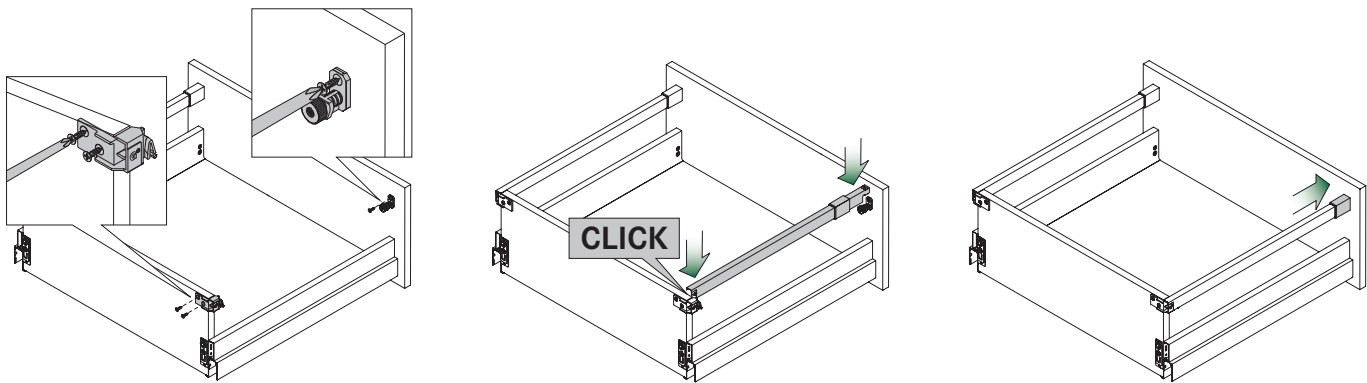


Tilt Adjustment - H90 with Rectangular Railing

Tilt Adjustment - H186 and H250 +2mm



Rectangular Railing Installation



Rectangular Railing Dismounting

