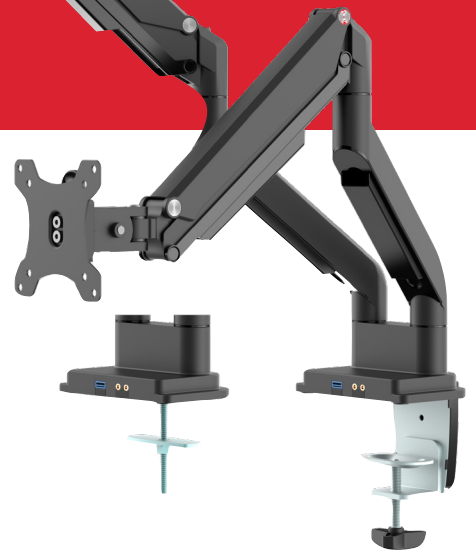




FLEXA

MONITOR SYSTEM



Richelieu
ERGO



Contents

FLEXA PRO 500FP11XX.....	1
FLEXA PRO 500FP12XX.....	2
FLEXA PRO 500FP22XX.....	3
FLEXA PRO 500FP23XX.....	4
FLEXA SPACE SAVER 500FSS190.....	5
FLEXA SPACE SAVER 500FSS290.....	6
FLEXA BUILD FIXED ARM BASE.....	7
FIXED ARM DUAL MONITOR WEBKITS.....	8
FIXED ARM DUAL EXTENSION, DUAL MONITOR WEBKITS.....	9
FIXED ARM TRIPLE MONITOR WEBKITS.....	10
FLEXA BUILD FLOATING ARM BASE.....	11
FLOATING ARM DUAL MONITOR WEBKITS.....	12
EXTENDED POLE SINGLE MONITOR.....	13
FLOATING ARM TRIPLE MONITOR WEBKITS.....	14
FLOATING ARM QUAD MONITOR WEBKIT.....	15
FIXED EXTENSION ARMS.....	16
FLOATING ARMS.....	16
HD FLOATING ARMS.....	16
FIXED DUAL ARM KITS.....	17
FLOATING DUAL ARM KITS.....	18
TRIPLE MONITOR KITS.....	19
VESA MOUNTS.....	19
NON-VESA MOUNT.....	19
CLAMP & GROMMET BASES.....	20
WALL MOUNT BRACKETS.....	20
POLE CLAMP.....	21
EXTENSION POLES.....	21

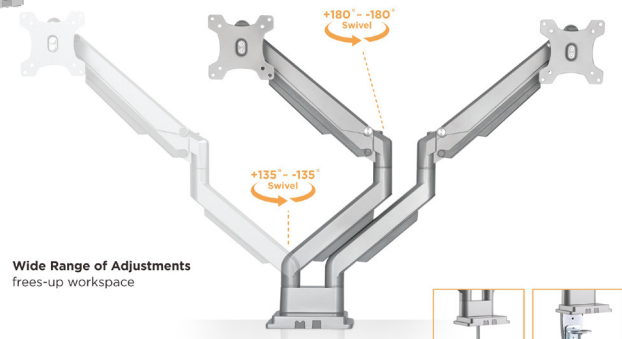
FLEXA PRO 500FP11XX



500FP1130	White
500FP1190	Black
500FP11100	Silver



1 USB Power Supply Included
1 USB 3.0 Port



Wide Range of Adjustments
frees-up workspace



Clamp & Grommet Mounts included
mounts to most any style desktop



Effortless Gas Spring Design
adjusts easily to the most
comfortable viewing position



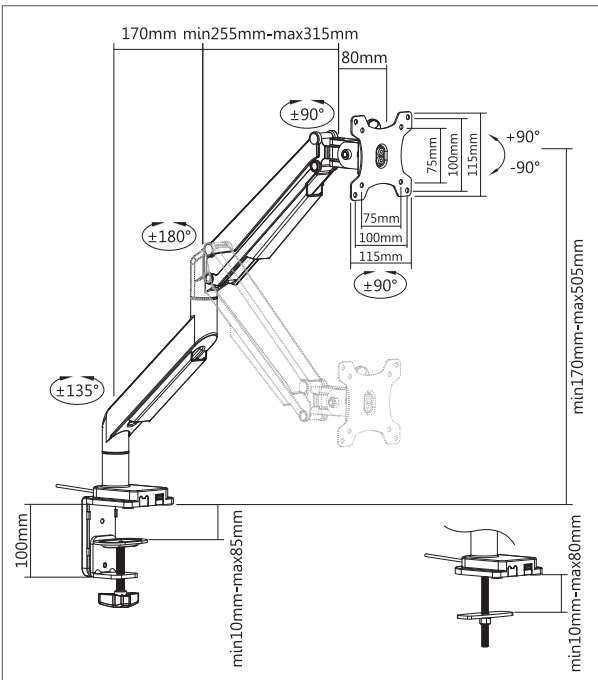
Detachable VESA Plate
for a quick and
easy installation



Rear Tool Holder
easy access for any future
adjustment



Built-in Cable Management
for an organized and neat workspace



Screen Size 17" - 32"	VESA Compatible 75x75 100x100	Weight Capacity 1-9 kg (2.2-19.8 lb)	Tilt Range +90° - -90°	Swivel Range +90° - -90°	Screen Rotation +90° - -90°	Detachable VESA Plate	Cable Management	Curved Monitor	Clamp & Grommet Installation

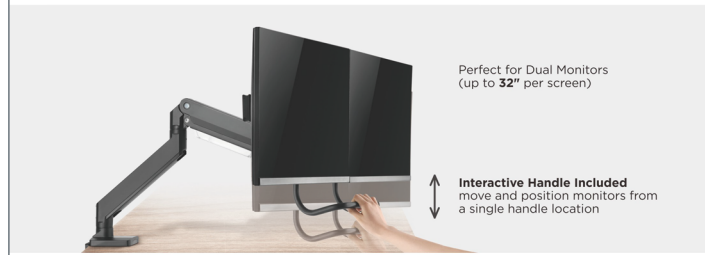
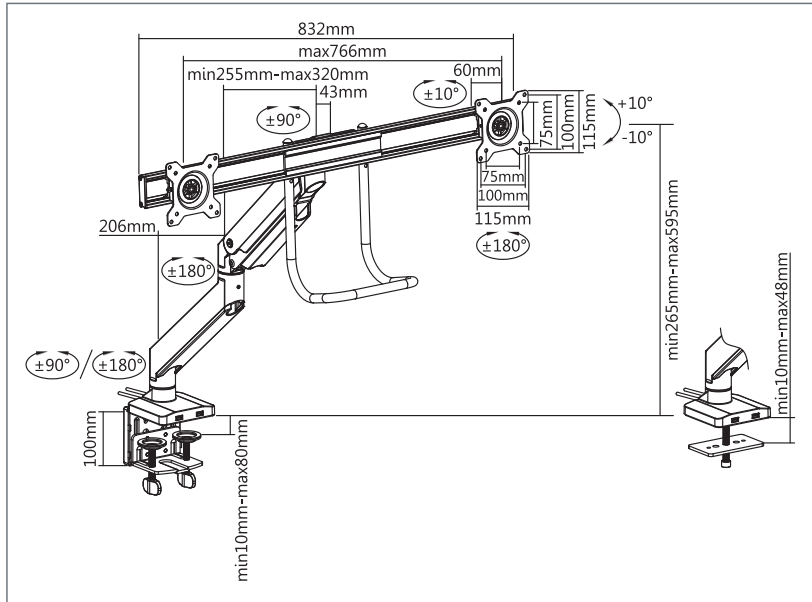
FLEXA PRO 500FP12XX



500FP1230	White
500FP1290	Black
500FP12100	Silver

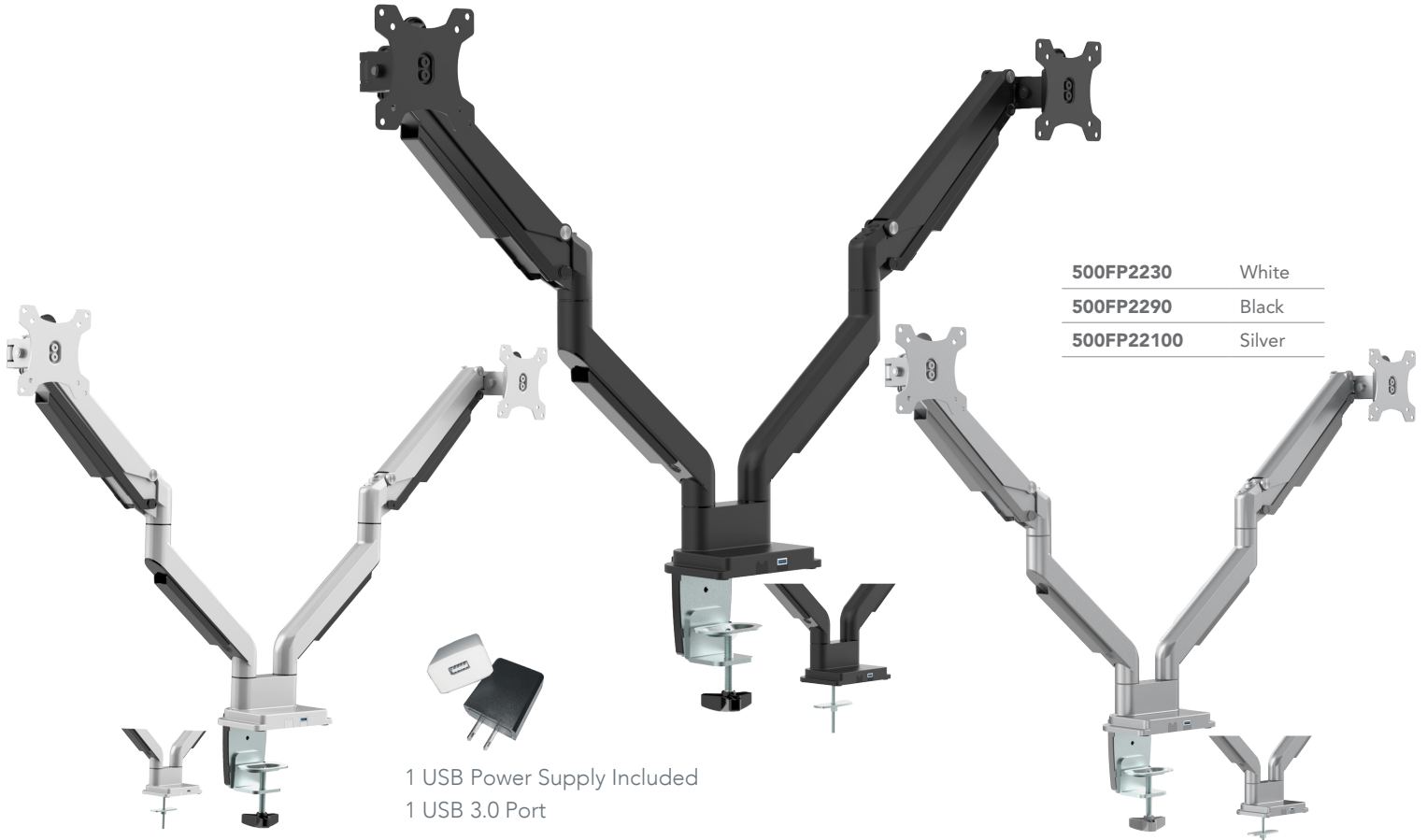


1 USB Power Supply Included
2 USB 3.0 Ports



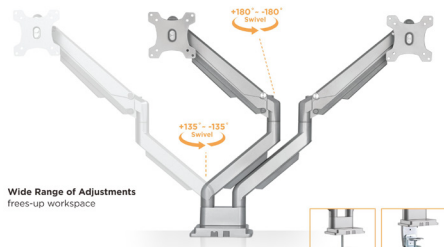
Screen Size 17" - 32"	VESA Compatible 75x75 100x100	Weight Capacity (x2) 1-8 kg (2.2-17.6 lb)	Tilt Range +10° - -10°	Swivel Range +90° - -90°	Screen Rotation +180° - -180°	Detachable VESA Plate	Cable Management	Curved Monitor	Clamp & Grommet Installation

FLEXA PRO 500FP22XX

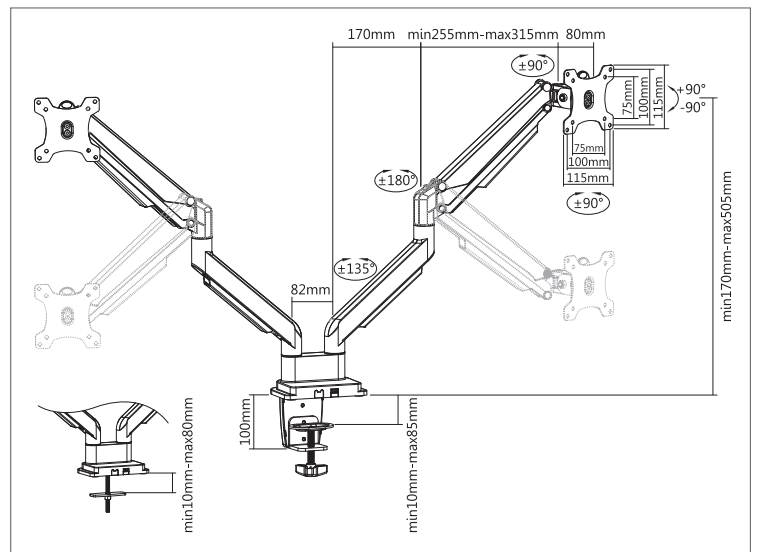
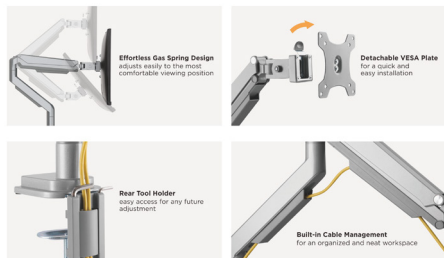


500FP2230	White
500FP2290	Black
500FP22100	Silver

1 USB Power Supply Included
1 USB 3.0 Port

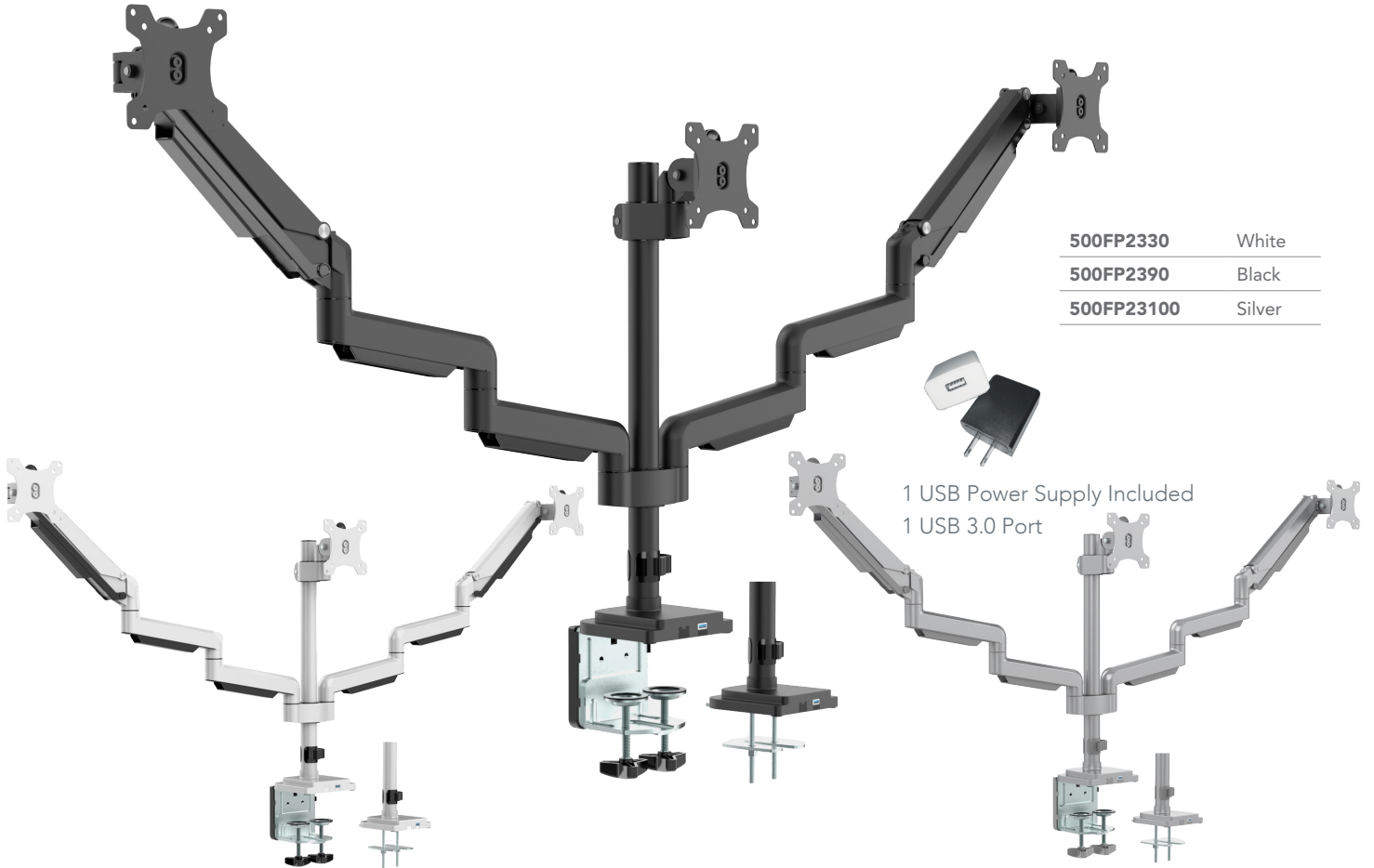


Clamp & Grommet Mounts Included mounts to most any style desktop



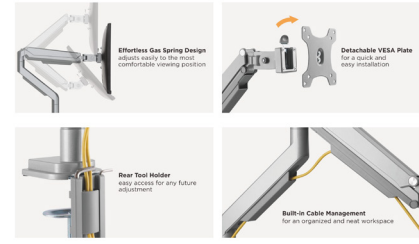
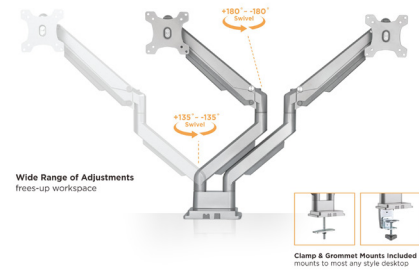
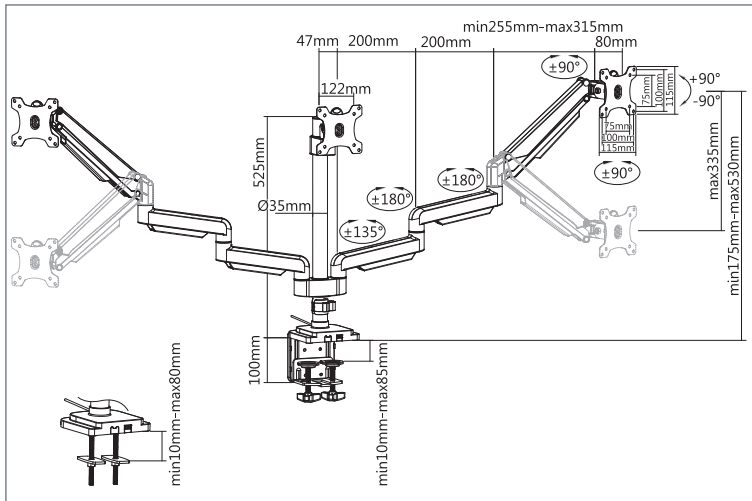
Screen Size 17" - 32"	VESA Compatible 75x75 100x100	Weight Capacity (x2) 1-9 kg (2.2-19.8 lb)	Tilt Range +90° - -90°	Swivel Range +90° - -90°	Screen Rotation +90° - -90°	Detachable VESA Plate	Cable Management	Curved Monitor	Clamp & Grommet Installation

FLEXA PRO 500FP23XX



500FP2330	White
500FP2390	Black
500FP23100	Silver

1 USB Power Supply Included
1 USB 3.0 Port



Screen Size 17" - 30"	VESA Compatible 75x75 100x100	Weight Capacity (x2) 1-7 kg (2.2-15.4 lb)	Tilt Range +90° - -90°	Swivel Range +90° - -90°	Screen Rotation +90° - -90°	Detachable VESA Plate	Cable Management	Curved Monitor	Clamp & Grommet Installation

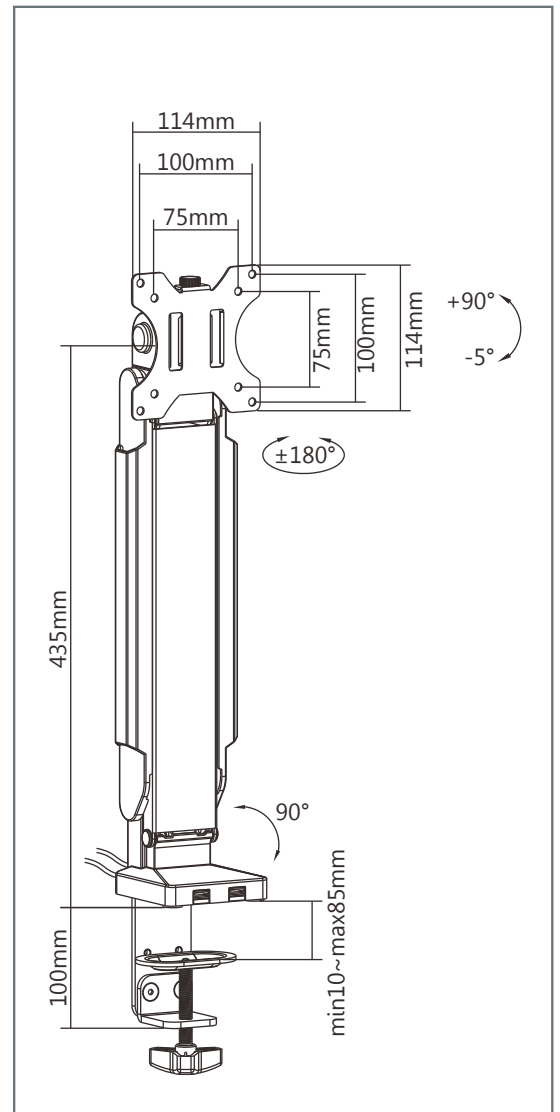
FLEXA SPACE SAVER 500FSS190



1 USB Power Supply Included
2 USB 3.0 Ports

500FSS190

Black
Single Monitor



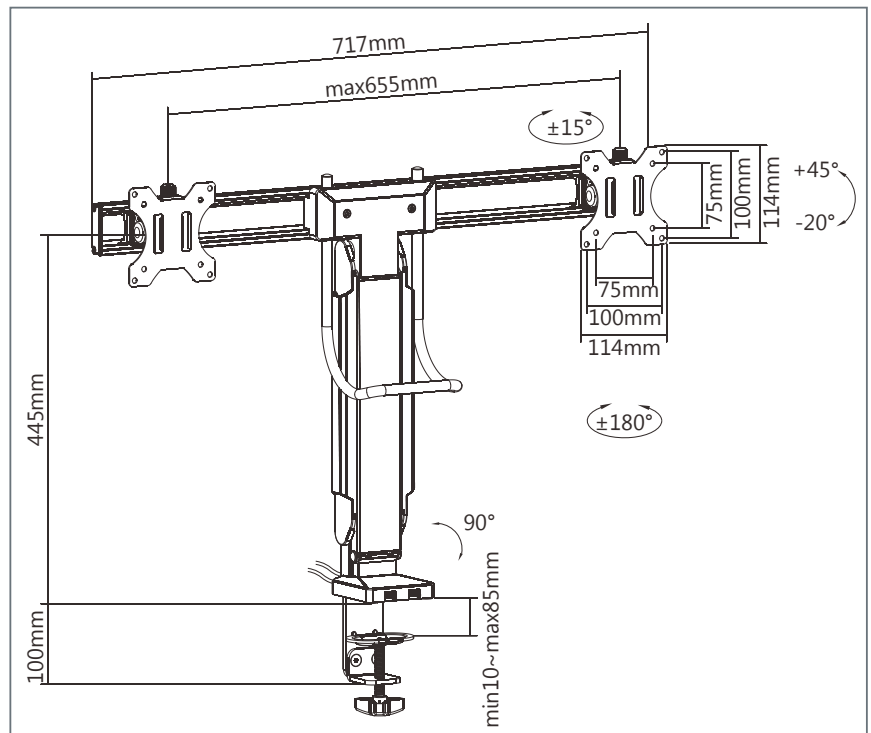
Screen Size 17" - 32"	VESA Compatible 75x75 100x100	Weight Capacity 2-8 kg (4.4-17.6 lb)	Tilt Range +90° - -5°	Swivel Range NA	Screen Rotation +180° - -180°	Detachable VESA Plate	Cable Management	Curved Monitor	Clamp Installation

FLEXA SPACE SAVER 500FSS290



500FSS290

Black
Dual Monitors



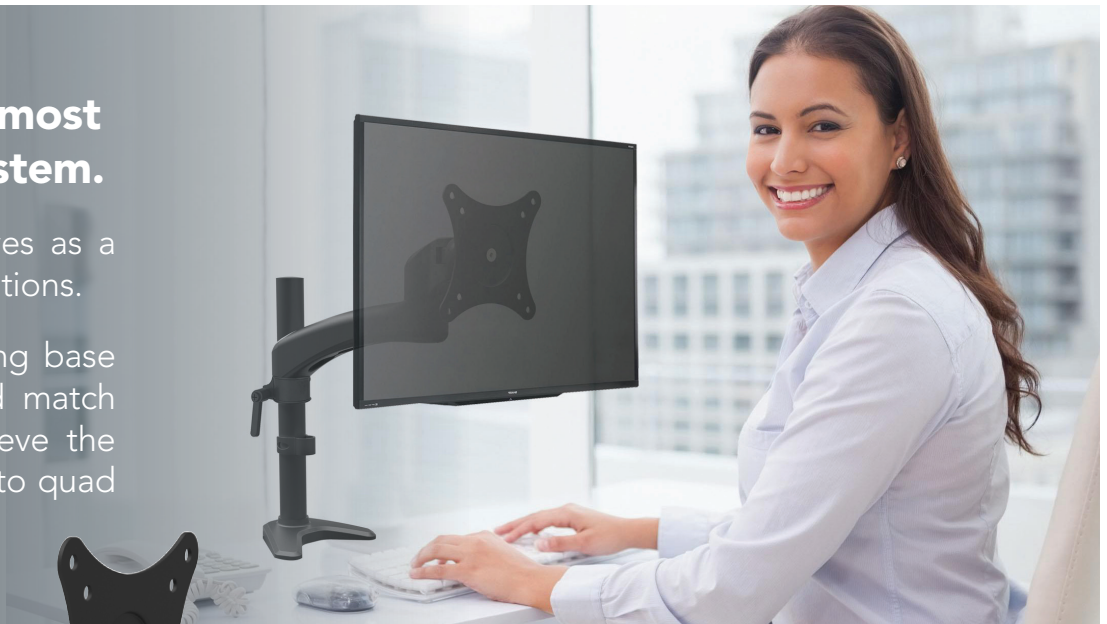
1 USB Power Supply Included
2 USB 3.0 Ports

Screen Size 17" - 27"	VESA Compatible 75x75 100x100	Weight Capacity (x2) 2-6.5 kg (4.4-14.3 lb)	Tilt Range +45° - -20°	Swivel Range +15° - -15°	Screen Rotation +180° - -180°	Detachable VESA Plate	Cable Management	Curved Monitor	Clamp Installation

FLEXA BUILD is our most versatile Monitor System.

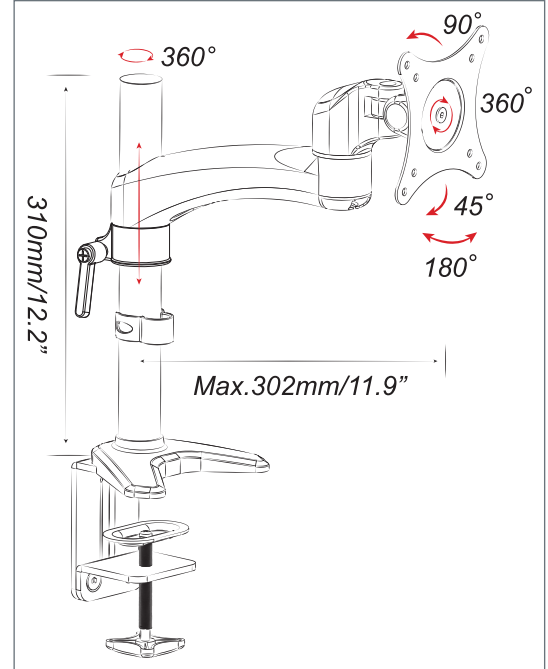
The base configuration serves as a basis for a wide range of solutions.

With both Fixed and Floating base packages, you can mix and match all the components to achieve the perfect solution from single to quad monitor configurations.



500F1100 Silver

500F190 Black



Screen Size 15" - 32"	VESA Compatible 75x75 100x100	Weight Capacity 0-8 kg (0-17.6 lb)	Tilt Range +45° - -90°	Swivel Range +90° - -90°	Screen Rotation +180° - -180°	Cable Management	Curved Monitor	Clamp & Grommet Installation

FIXED ARM DUAL MONITOR WEBKITS



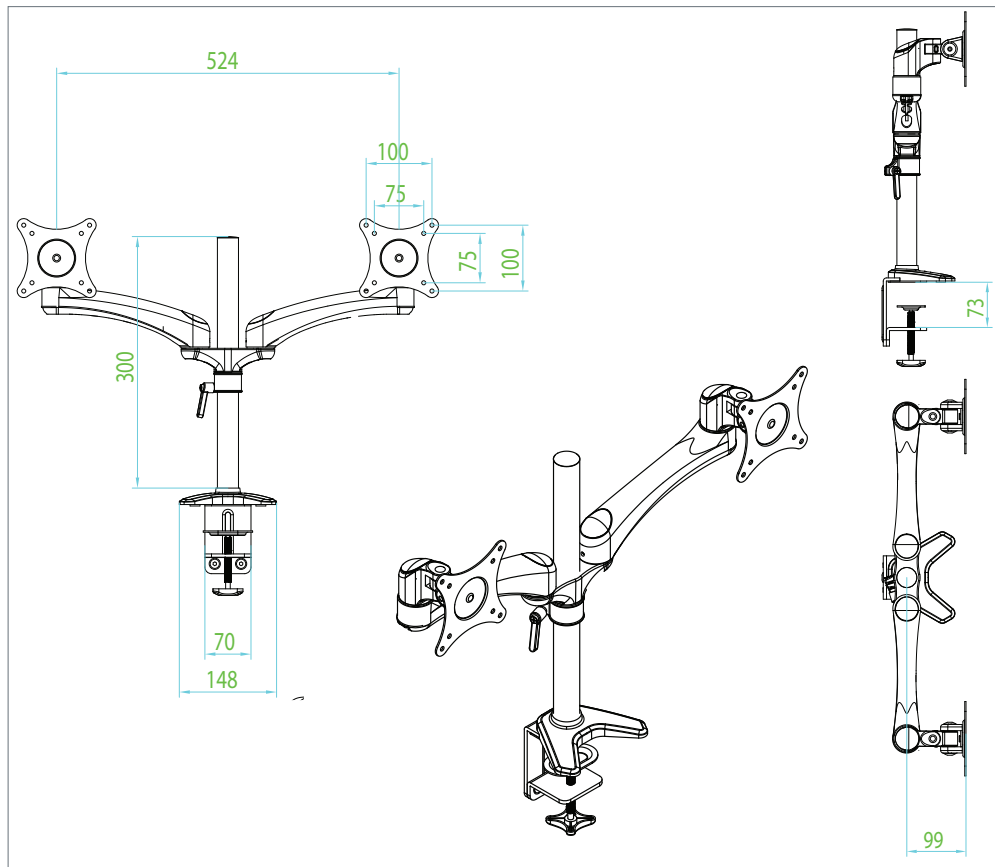
WEBKIT1215245 Silver

- Components:**
 1 -- 500F1100
 1 -- 500F2100



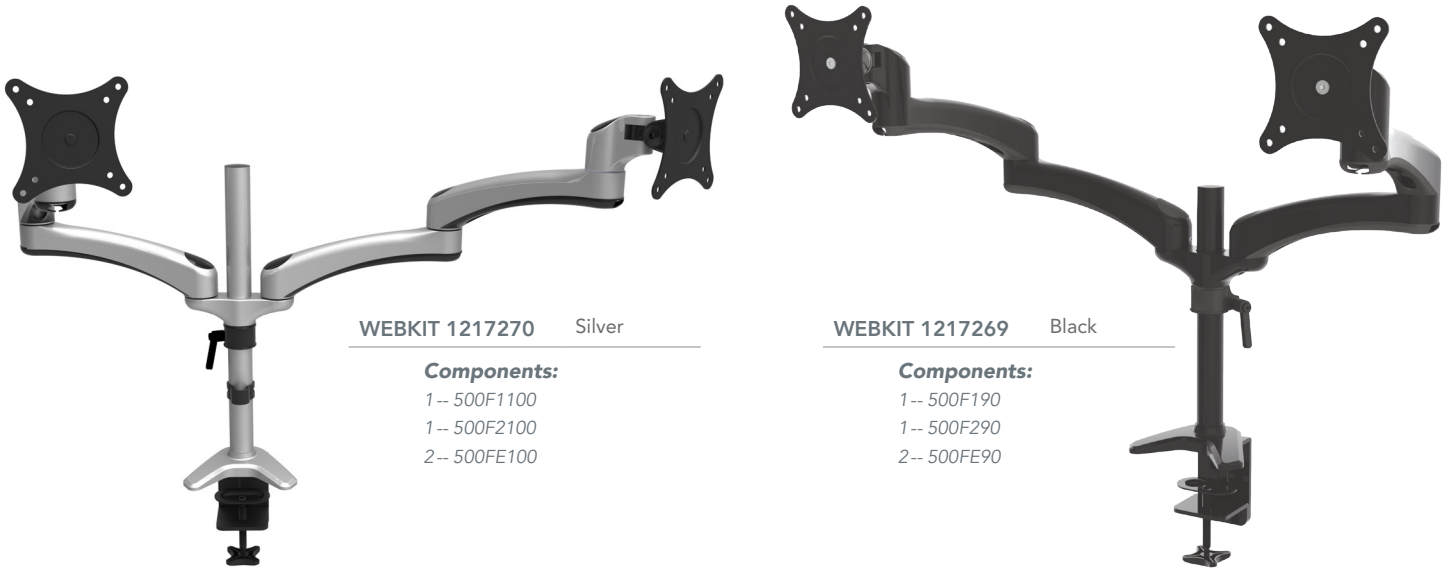
WEBKIT1214845 Black

- Components:**
 1 -- 500F190
 1 -- 500F290



Screen Size 15" - 22"	VESA Compatible 75x75 100x100	Weight Capacity 0-8 kg (0-17.6 lb)	Tilt Range +45° -- -90°	Swivel Range +90° -- -90°	Screen Rotation +180° -- -180°	Cable Management	Curved Monitor	Clamp & Grommet Installation

FIXED ARM DUAL EXTENSION, DUAL MONITOR WEBKITS



WEBKIT 1217270 Silver

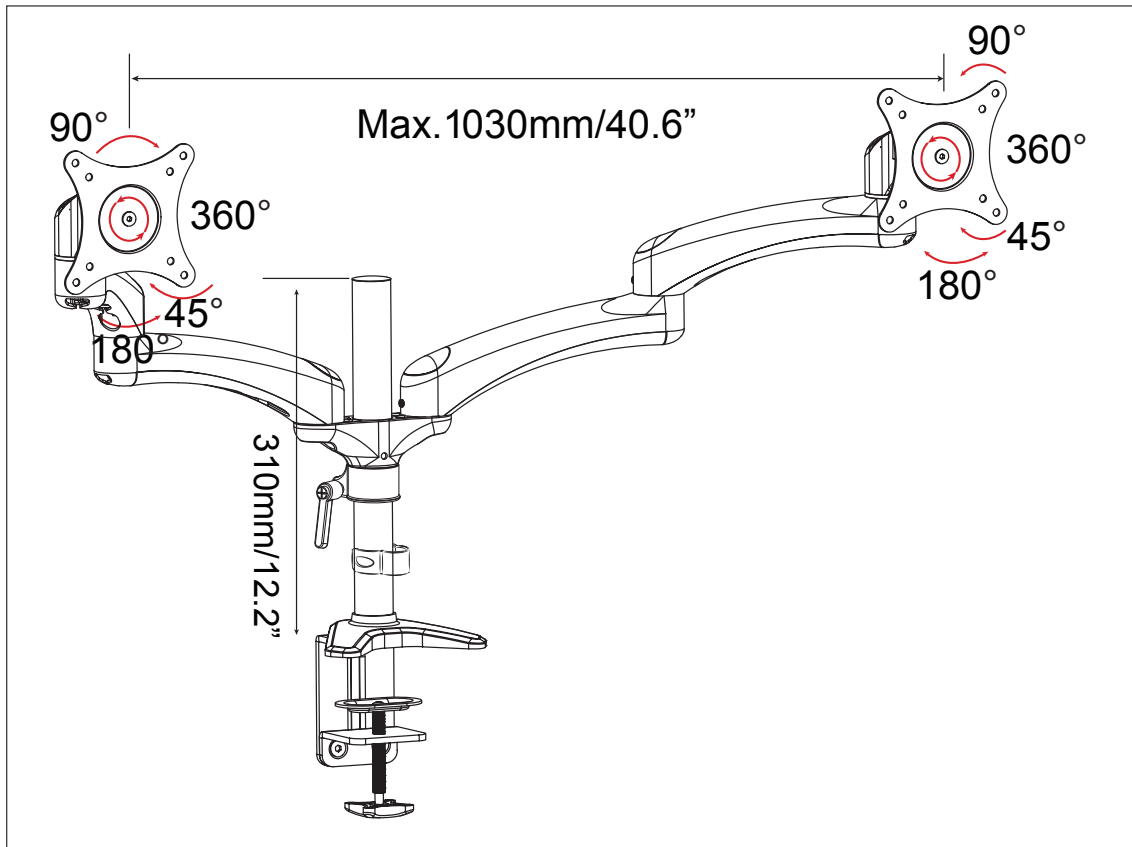
Components:

- 1-- 500F1100
- 1-- 500F2100
- 2-- 500FE100

WEBKIT 1217269 Black

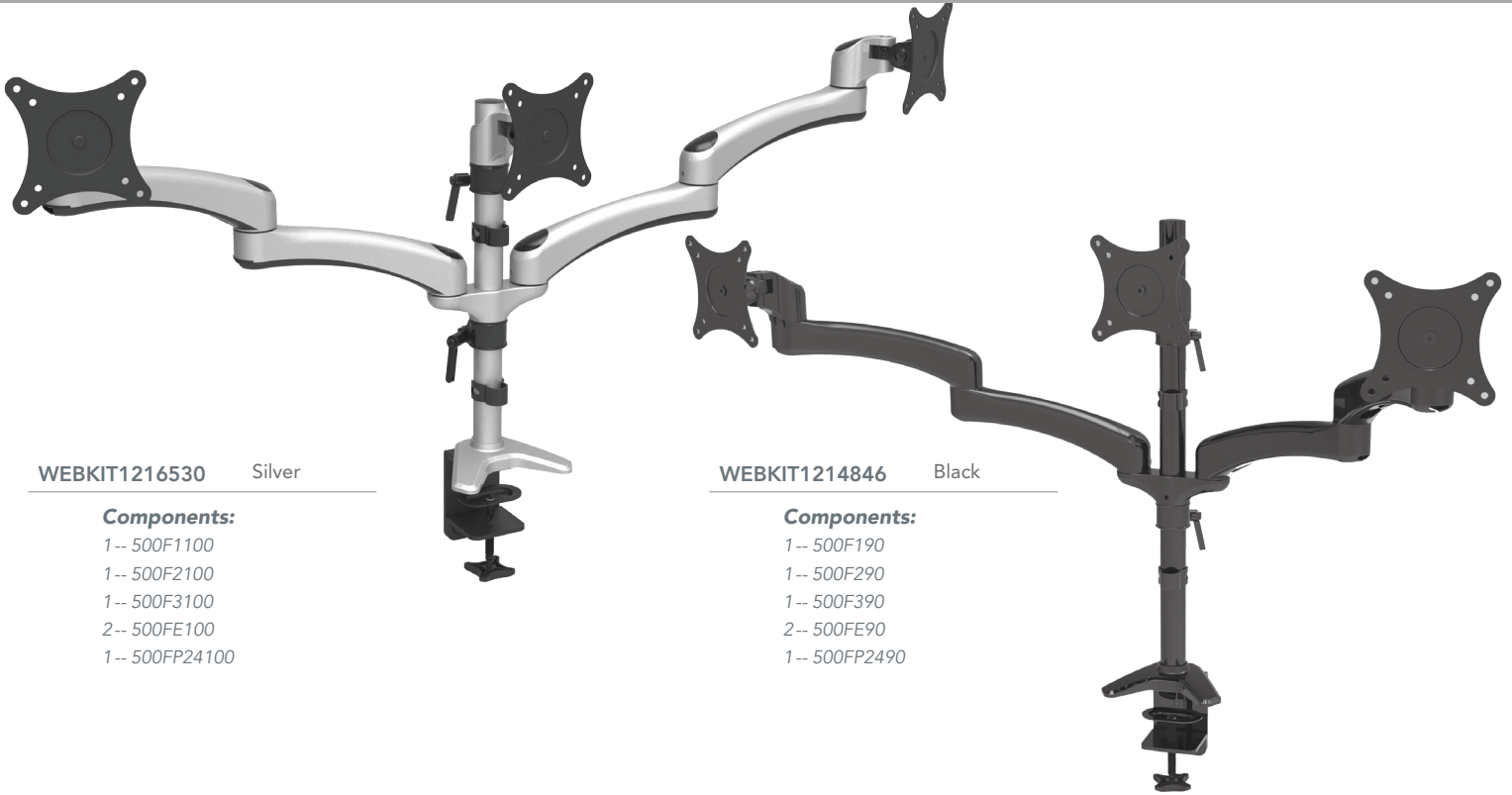
Components:

- 1-- 500F190
- 1-- 500F290
- 2-- 500FE90



Screen Size 15" - 32"	VESA Compatible 75x75 100x100	Weight Capacity 0-8 kg (0-17.6 lb)	Tilt Range +45° - -90°	Swivel Range +90° - -90°	Screen Rotation +180° - -180°	Cable Management	Curved Monitor	Clamp & Grommet Installation

FIXED ARM TRIPLE MONITOR WEBKITS



WEBKIT1216530 Silver

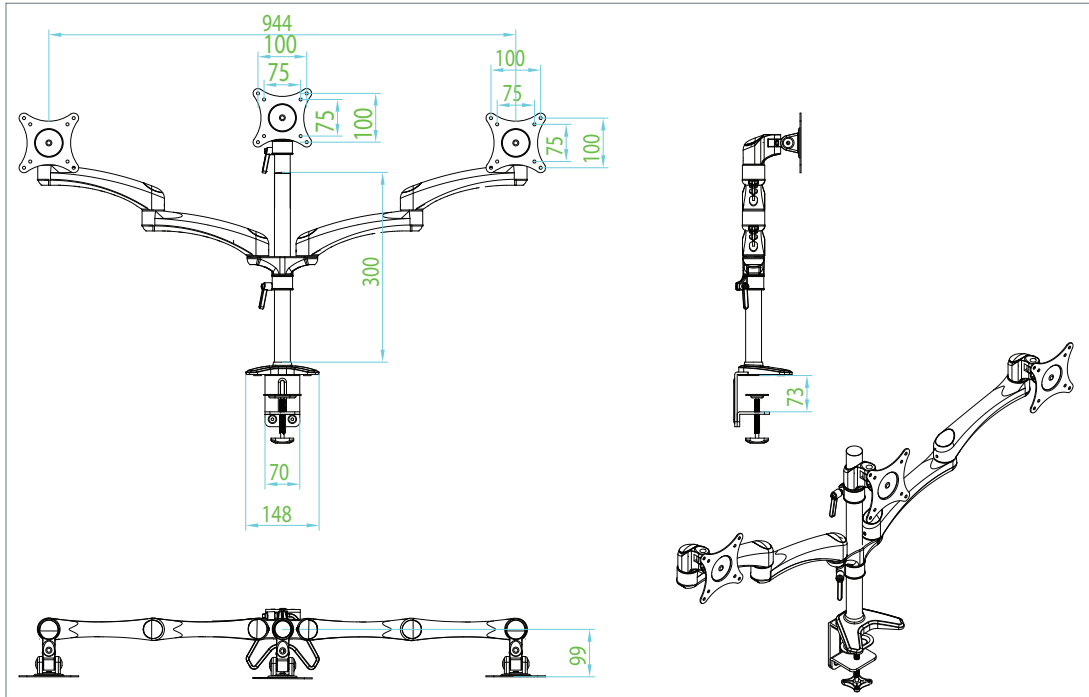
Components:

- 1 -- 500F1100
- 1 -- 500F2100
- 1 -- 500F3100
- 2 -- 500FE100
- 1 -- 500FP24100

WEBKIT1214846 Black

Components:

- 1 -- 500F190
- 1 -- 500F290
- 1 -- 500F390
- 2 -- 500FE90
- 1 -- 500FP2490

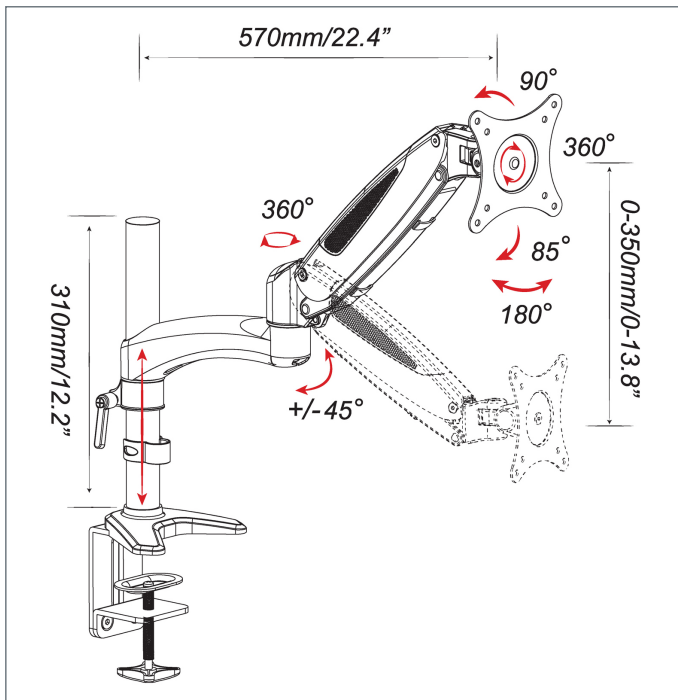


Screen Size 15" - 27"	VESA Compatible 75x75 100x100	Weight Capacity 0-8 kg (0-17.6 lb)	Tilt Range +45° -- -90°	Swivel Range +90° -- -90°	Screen Rotation +180° -- -180°	Cable Management	Curved Monitor	Clamp & Grommet Installation



500FFL1100 Silver

500FFL190 Black



Screen Size 15" - 27"	VESA Compatible 75x75 100x100	Weight Capacity 3-6 kg (6.6-13.2 lb)	Tilt Range +45° - -90°	Swivel Range +90° - -90°	Screen Rotation +180° - -180°	Cable Management	Curved Monitor	Clamp & Grommet Installation

FLOATING ARM DUAL MONITOR WEBKITS

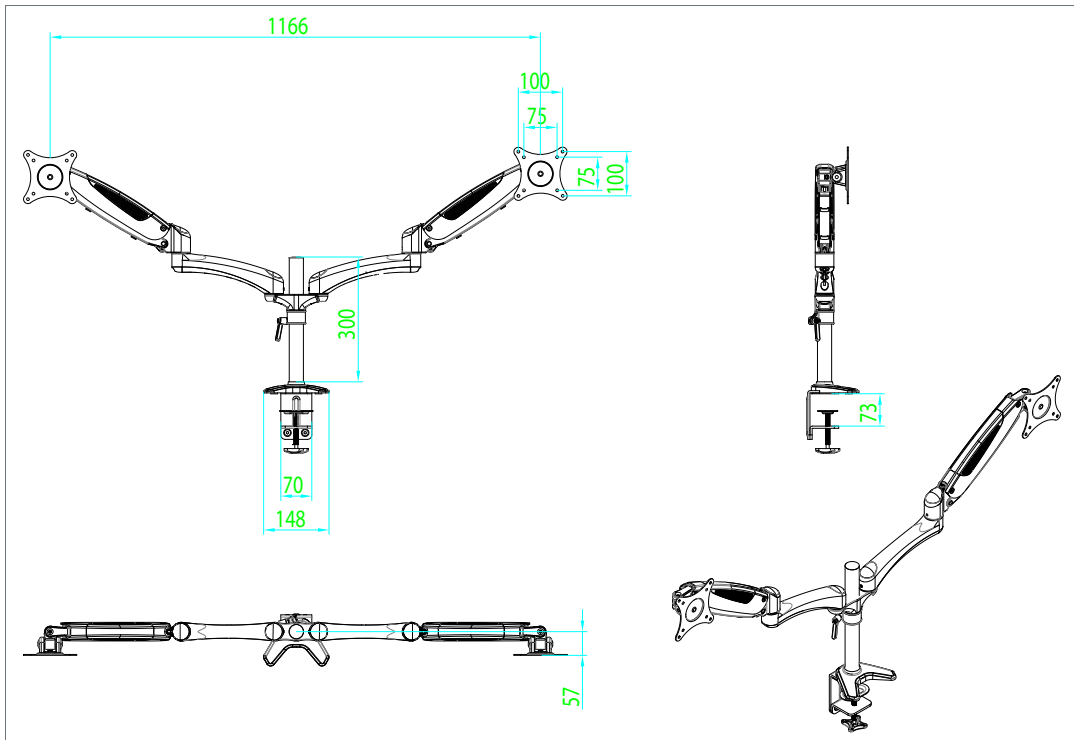


WEBKIT1216531 Silver

WEBKIT1214847 Black

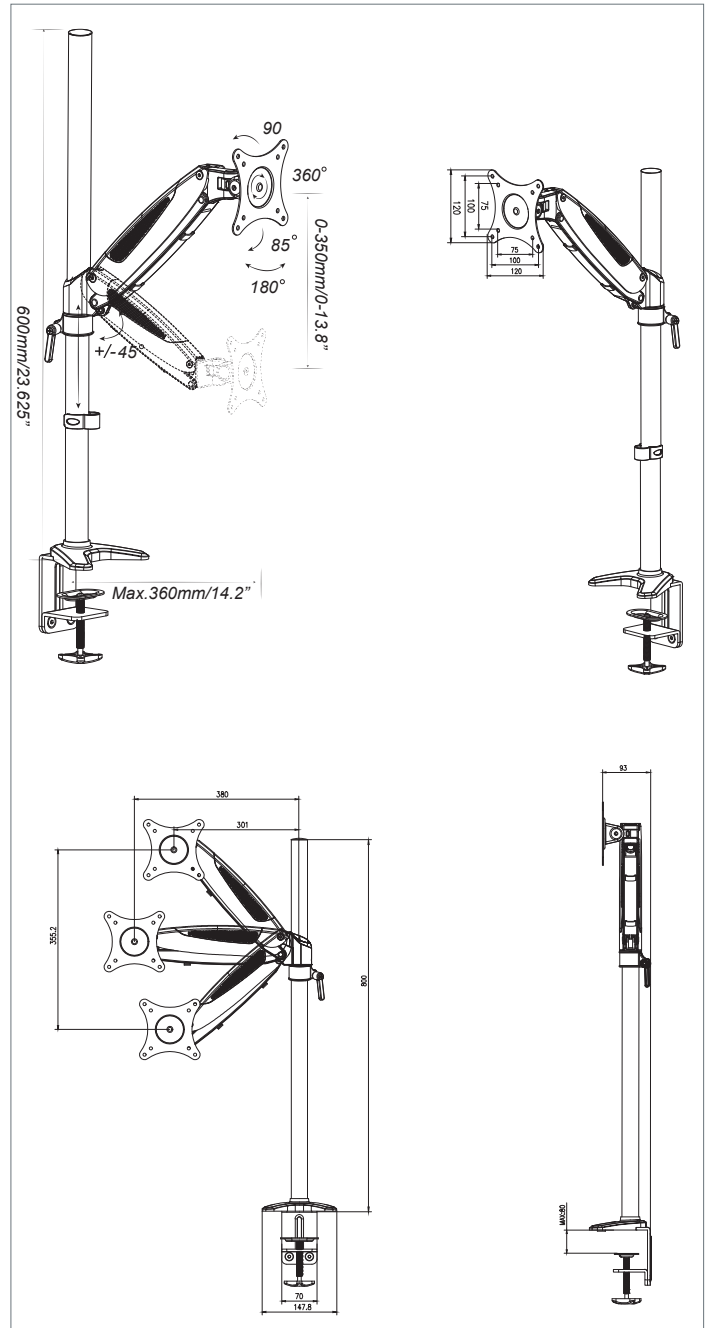
Components:
 1-- 500FFL1100
 1-- 500FFL2100

Components:
 1-- 500FFL190
 1-- 500FFL290



Screen Size 15" - 27"	VESA Compatible 75x75 100x100	Weight Capacity 3-6 kg (6.6-13.2 lb)	Tilt Range +45° - -90°	Swivel Range +90° - -90°	Screen Rotation +180° - -180°	Cable Management	Curved Monitor	Clamp & Grommet Installation

EXTENDED POLE SINGLE MONITOR



CLAMP WEBKITS		GROMMET WEBKITS	
Silver	Black	Silver	Black
WEBKIT1229025	WEBKIT1229134	WEBKIT1229171	WEBKIT1229196
500FCM100	500FCM90	500FGM100	500FGM90
500FP24100	500FP2490	500FP24100	500FP2490
500FFL100	500FFL90	500FFL100	500FFL90

Screen Size 15" - 27"	VESA Compatible 75x75 100x100	Weight Capacity 3-6 kg (6.6-13.2 lb)	Tilt Range +85° - -90°	Swivel Range +90° - -90°	Screen Rotation +180° - -180°	Cable Management	Curved Monitor	Clamp & Grommet Installation

FLOATING ARM TRIPLE MONITOR WEBKITS



WEBKIT1216533 Silver

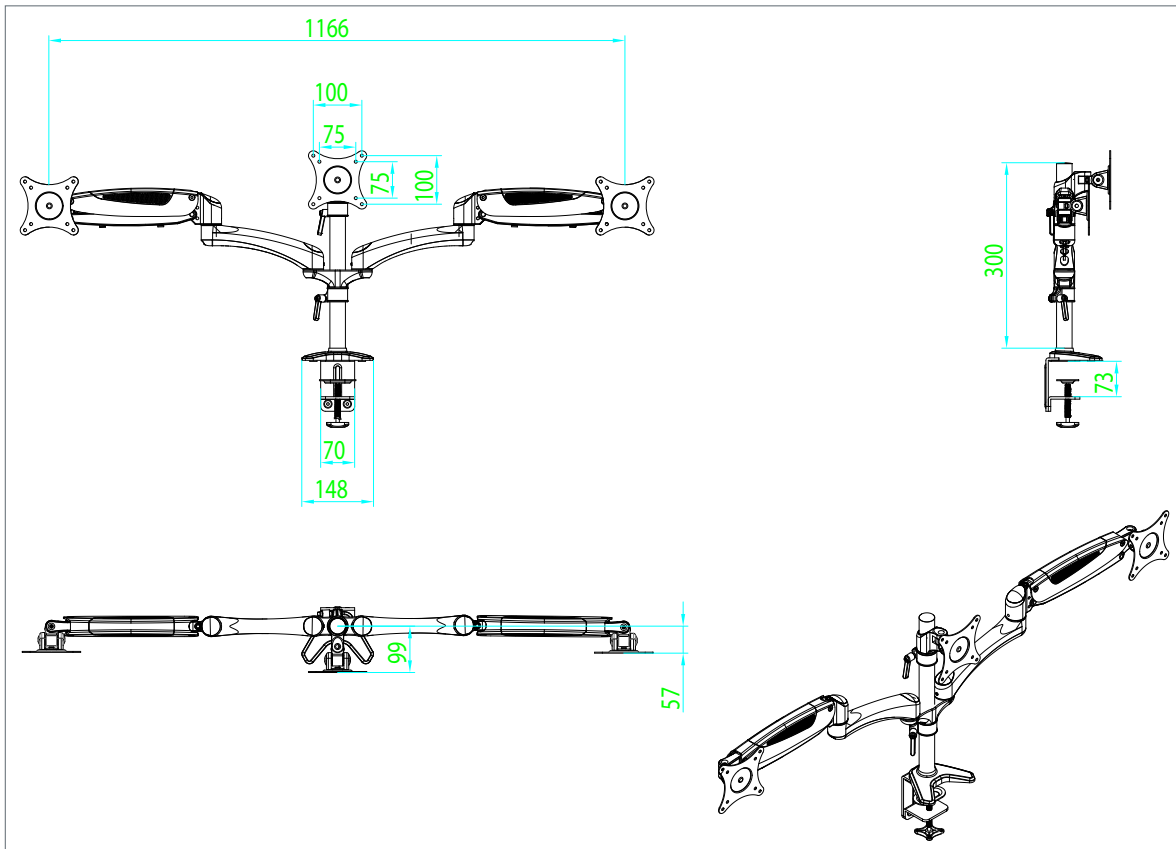
Components:

- 1-- 500FFL1100
- 1-- 500FFL2100
- 1-- 500F3100

WEBKIT1214848 Black

Components:

- 1-- 500FFL90
- 1-- 500FFL290
- 1-- 500F390



Screen Size 15" - 27"	VESA Compatible 75x75 100x100	Weight Capacity 3-6 kg (6.6-13.2 lb)	Tilt Range +85° - -90°	Swivel Range +90° - -90°	Screen Rotation +180° - -180°	Cable Management	Curved Monitor	Clamp & Grommet Installation

FLOATING ARM QUAD MONITOR WEBKIT



WEBKIT1226342 Silver

Components:

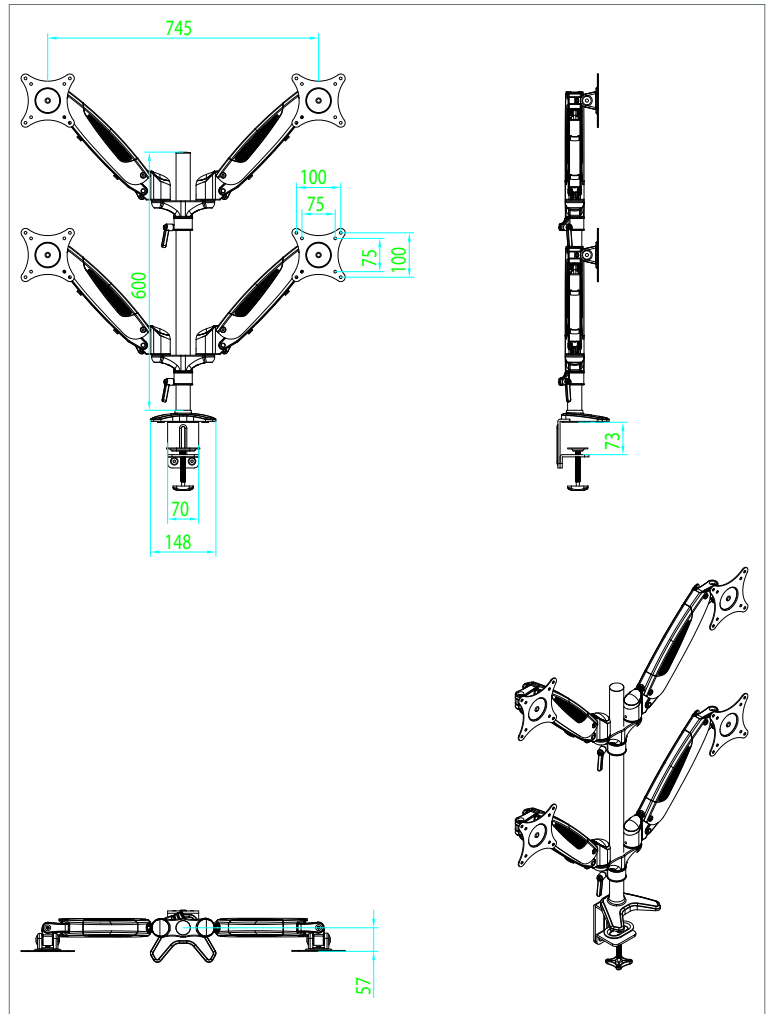
- 2-- 500FFL100
- 2-- 500FFL2100
- 2-- 500FPC90
- 1-- 500FCM100
- 1-- 500FP24100



WEBKIT1214849 Black

Components:

- 2-- 500FFL90
- 2-- 500FFL290
- 2-- 500FPC90
- 1-- 500FCM90
- 1-- 500FP2490



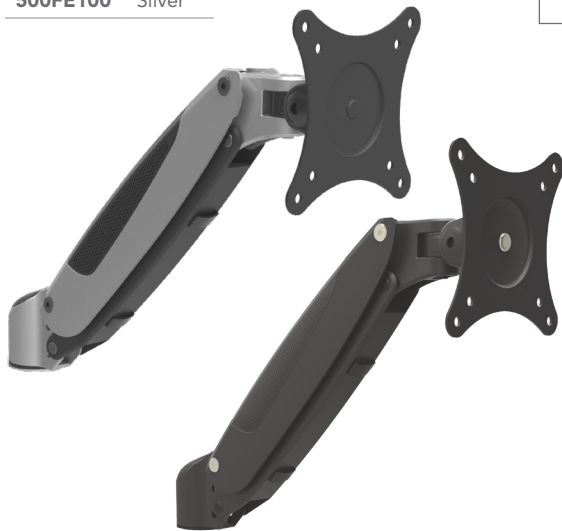
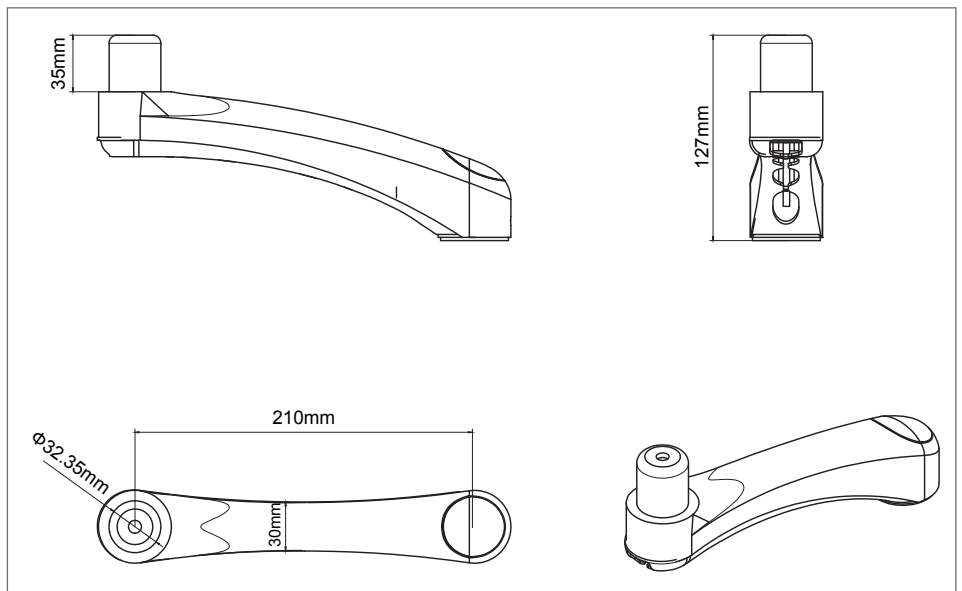
Screen Size 15" - 27"	VESA Compatible 75x75 100x100	Weight Capacity 3-6 kg (6.6-13.2 lb)	Tilt Range +85° - -90°	Swivel Range +90° - -90°	Screen Rotation +180° - -180°	Cable Management	Curved Monitor	Clamp & Grommet Installation



FIXED EXTENSION ARMS

500FE90 Black

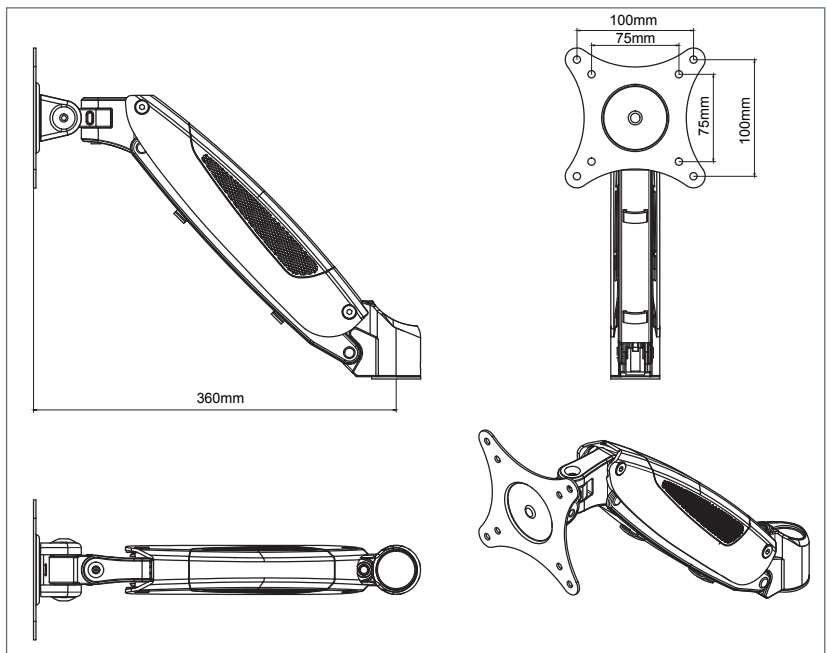
500FE100 Silver



FLOATING ARMS

500FFL90 Black

500FFL100 Silver

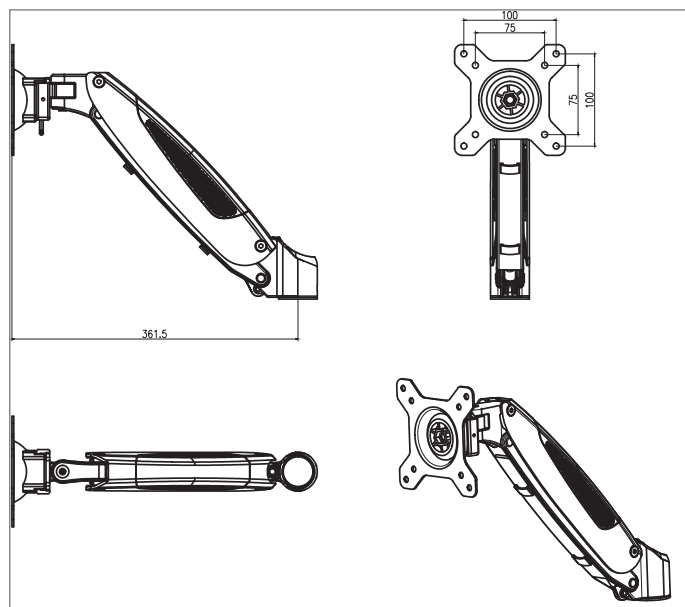


HD FLOATING ARMS

Supports monitors up to 44 lb (20 kg)

500FFLHD90 Black

500FFLHD100 Silver

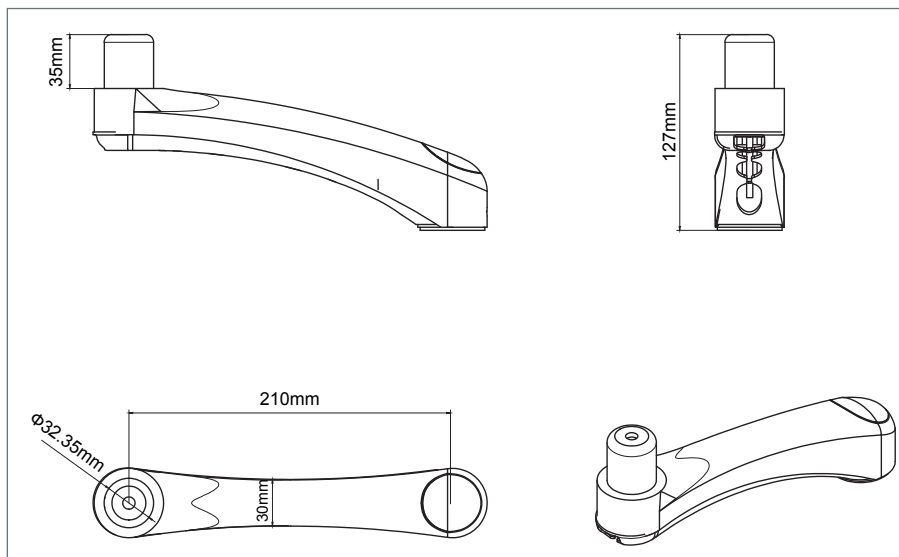
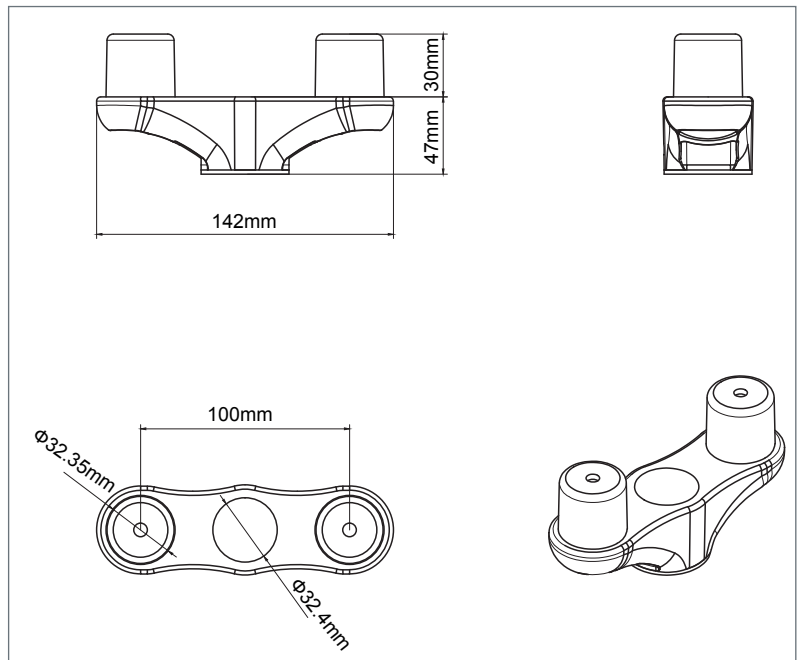
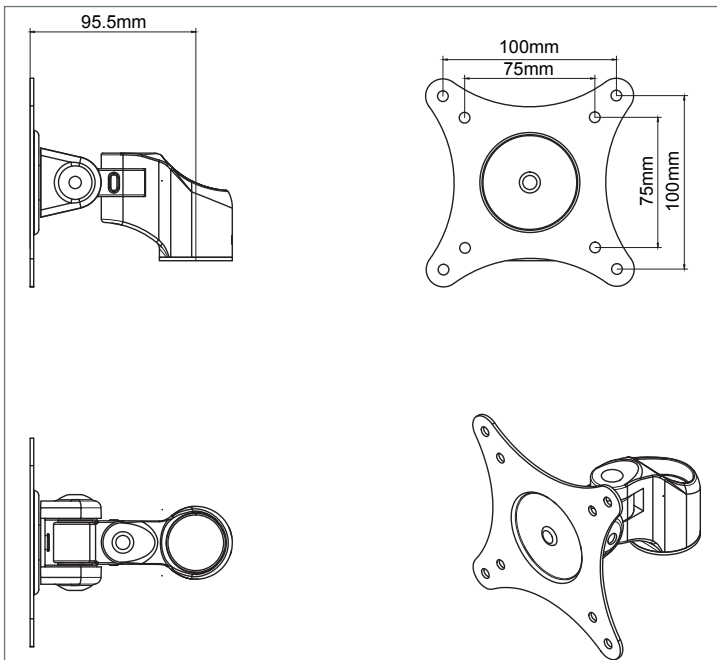




FIXED DUAL ARM KITS

500F290 Black

500F2100 Silver

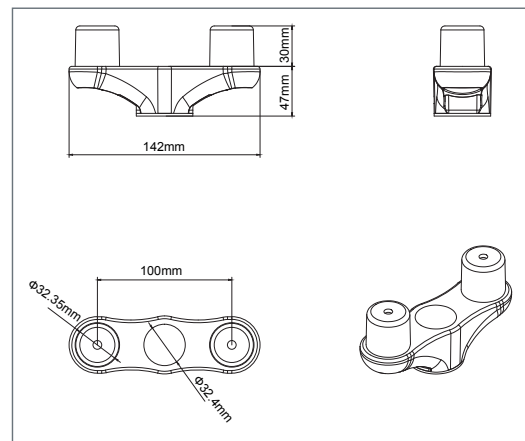
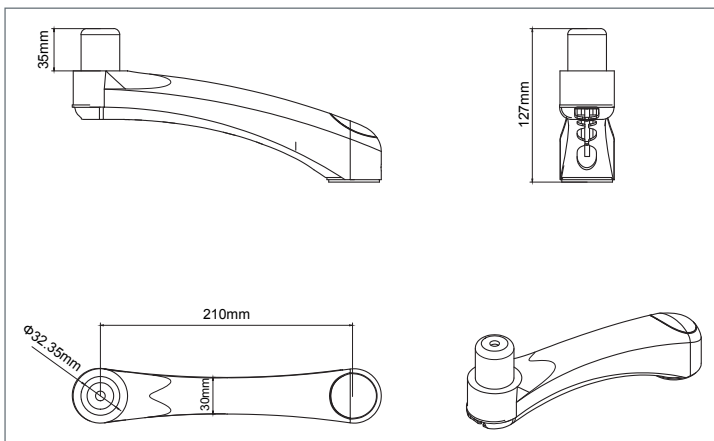
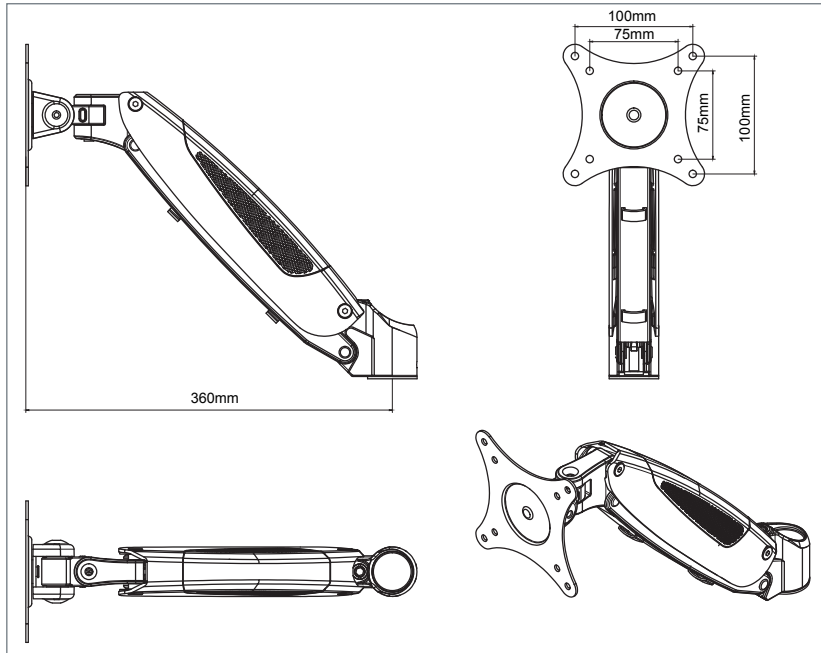


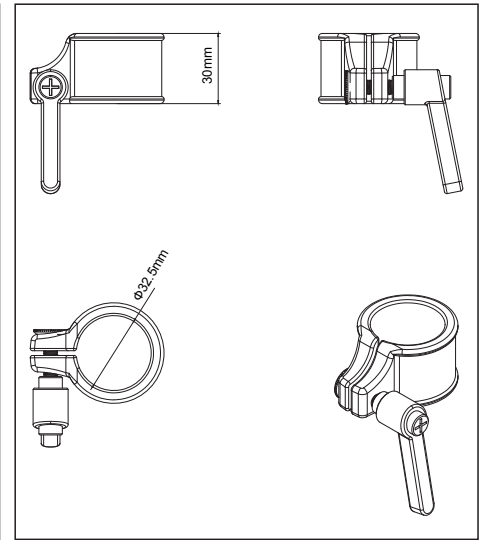
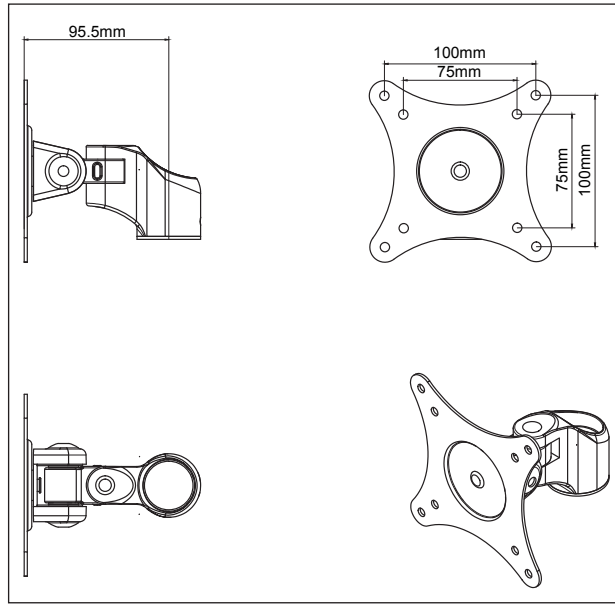


FLOATING DUAL ARM KITS

500FFL2100 Silver

500FFL290 Black





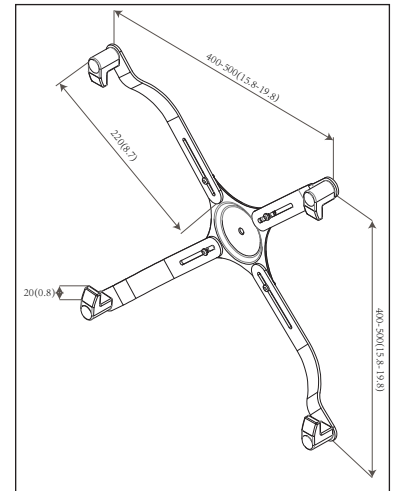
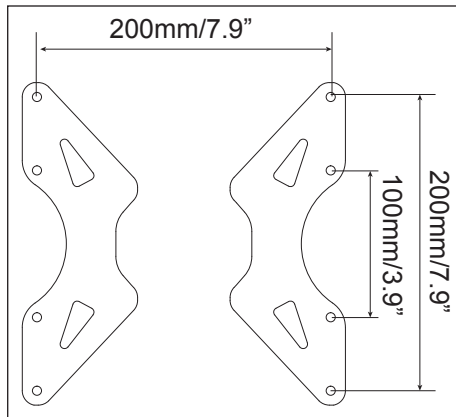
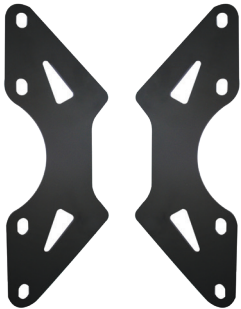
TRIPLE MONITOR KITS

500F390 Black

500F3100 Silver

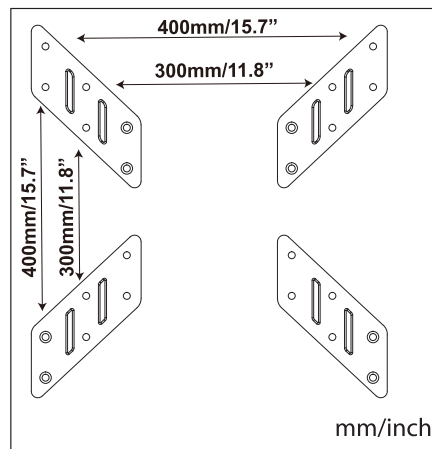
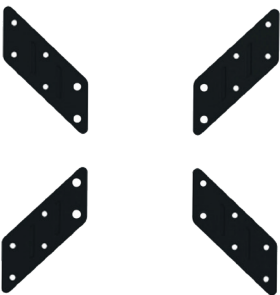
VESA MOUNT
200 mm x 200 mm

500FVM20090 Black



VESA MOUNT
400 mm x 400 mm

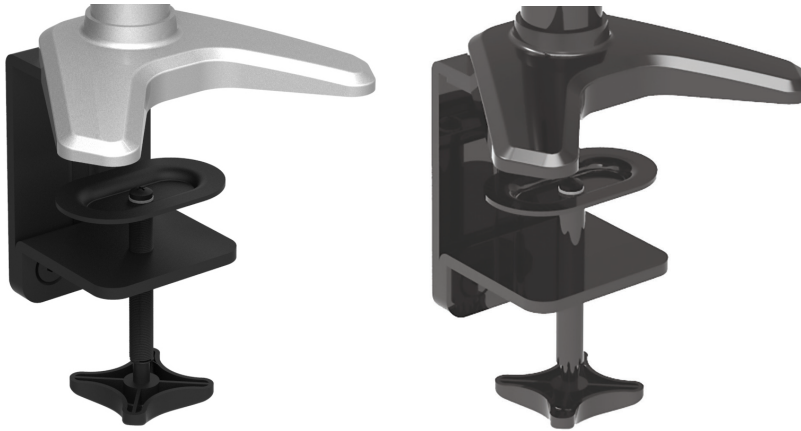
500FVM40090 Black



NON-VESA MOUNT

500FNVM90 Black

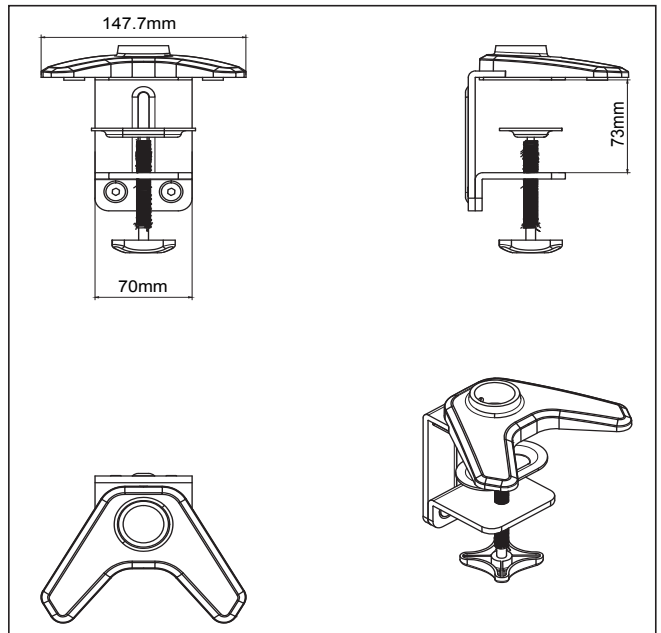




CLAMP BASE

- 500FCM90 Black

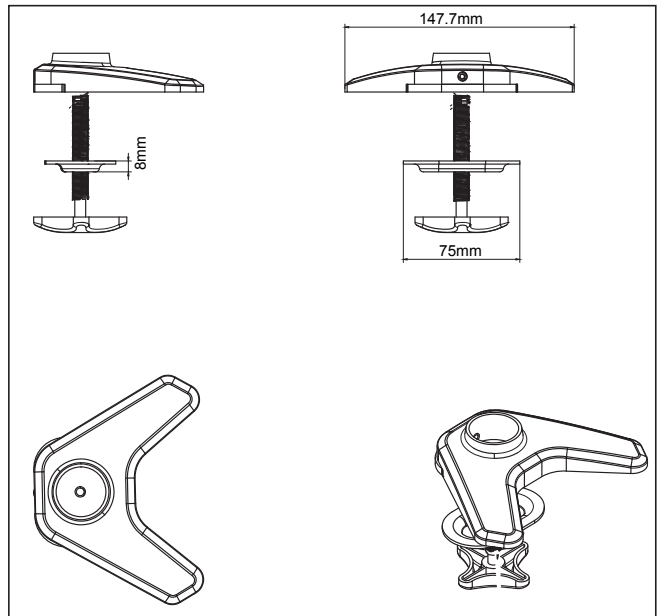
- 500FCM100 Silver



GROMMET BASE

- 500FGM90 Black

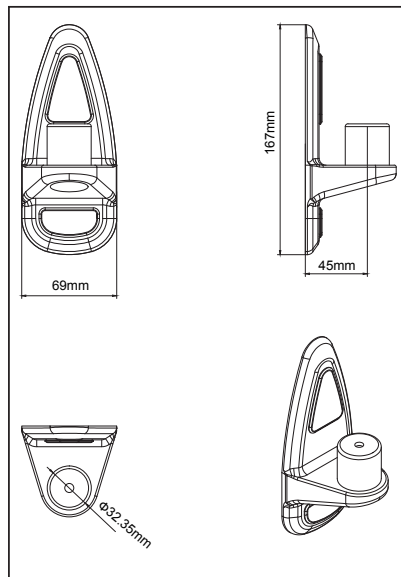
- 500FGM100 Silver



WALL MOUNT BRACKETS

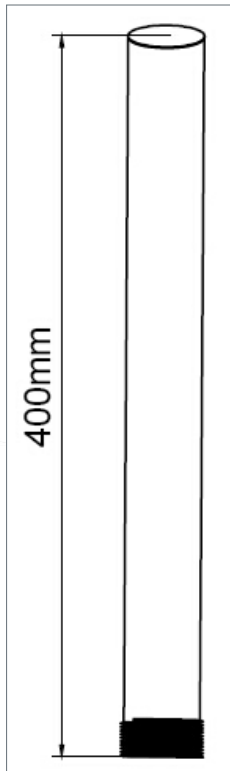
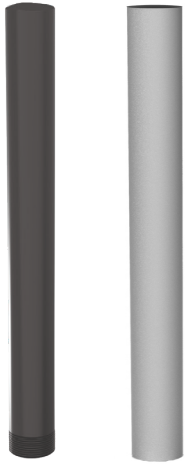
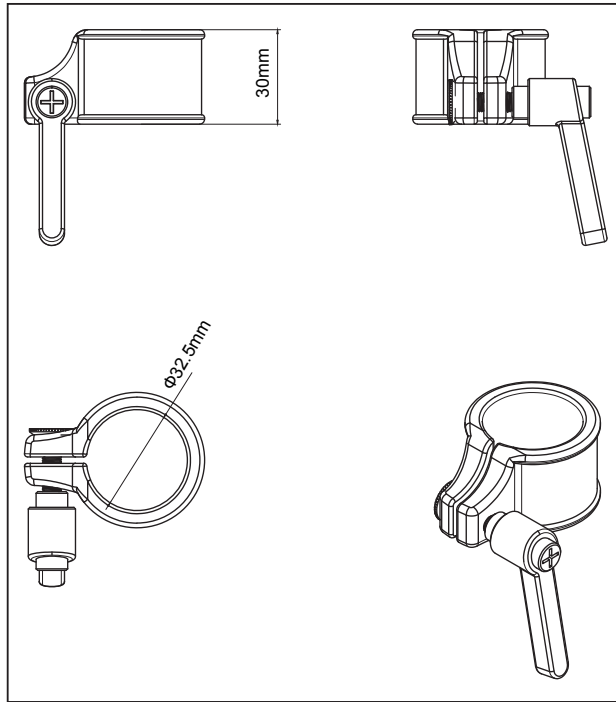
- 500FWM90 Black

- 500FWM100 Silver



POLE CLAMP

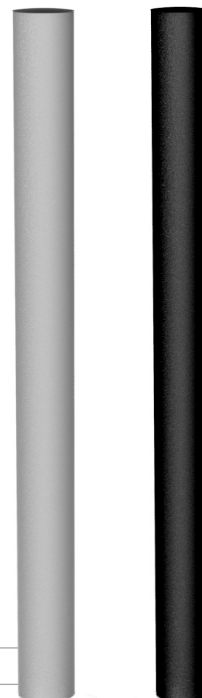
500FPC90 Black



15 3/4" EXTENSION POLES

500FP1690 Black

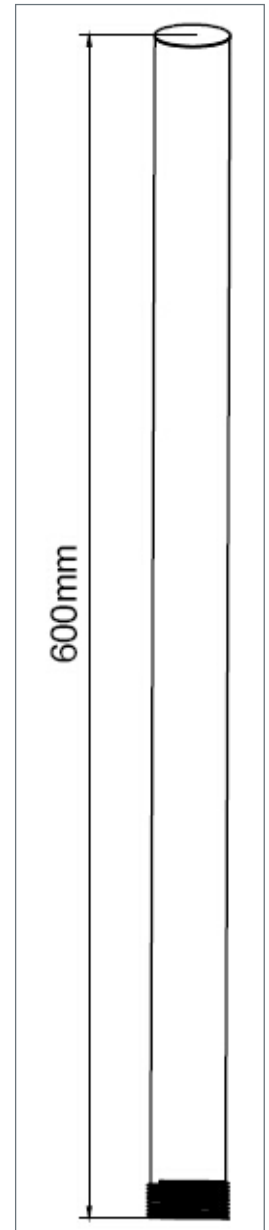
500FP16100 Silver



23 5/8" EXTENSION POLES

500FP2490 Black

500FP24100 Silver





Richelieu
ERGO

Serving you across North America

Tel. : 1 866-440-0448

Fax : 1 800-890-4139

www.richelieuErgo.com



FLEXMTR20 2.00