



Hawa Concepta Family – more space for living

Product overview
and details

2 The world of sliding

- 2 Areas of application and forms
- 4 Sliding solutions on furniture

6 Hawa Concepta Family

- 8 Hawa Concepta
 - 10 Hawa Concepta 25
 - 15 Hawa Concepta 30
 - 20 Hawa Concepta 40
 - 25 Hawa Concepta 50

- 30 Hawa Folding Concepta
 - 32 Hawa Folding Concepta 25

- 50 Accessories
 - 50 Straightening fitting

- 52 Product overview on furniture
 - 55 Technical information
 - 56 Contacts
 - 58 Product overview
 - On buildings, in buildings, on furniture

Protection of trademarks/Copyright

Hawa is a trademark registered in the name of Hawa Sliding Solutions AG. The names Junior, Concepta, Clipo and Frontino are product family names either registered in the name of Hawa Sliding Solutions AG, or to which Hawa Sliding Solutions AG claims exclusive rights of use in connection with its products and services. The contents of this publication, including all photographs and graphics are protected by copyright, and may not be copied, modified or otherwise used without the explicit consent of Hawa Sliding Solutions AG.

General Terms and Conditions

Conditions of sale, delivery and payment are subject to the General Terms and Conditions of Hawa Sliding Solutions AG, which are available at www.hawa.com.

Areas of application and forms





Creative and functional added value on buildings, in buildings and on furniture

Access for light, air and people must be created and implemented in every building, room and furniture item. Sliding solutions are the superior approach for aesthetic, functional and cost-effective design.



On buildings

Architecture comes to life.

- Sliding shutters
- Folding sliding shutters



In buildings

Rooms become flexible and of high quality.

- Sliding doors
- Sliding walls
- Folding sliding walls
- Showers



On furniture

The right application for every design idea.

- Sliding doors
- Pivot and folding/sliding doors
- Folding sliding doors

Specific types of sliding solve every task for every environment.

Parallel sliding alone isn't enough to cover every need. Therefore, we have developed extended solutions such as folding, pivoting, slide-in and stacking.



Sliding



Folding sliding



Pivot sliding



Pivot folding



Sliding and stacking



Design is what you see. And what you don't see.

Sliding solutions for application on furniture

Functionality and aesthetics are decisive quality criteria for evaluating a furniture item. Sliding technology increases both.

Sliding solutions on furniture create new open spaces which ensure that areas can be designed and furnished in a spacious and flexible way. People want as much free space and openness as possible – in both the private and the corporate sphere. New room concepts are made possible by means of sliding solutions.

Furniture design combines aesthetics and practical value.

- Wide range of sliding forms (pivot, folding, folding sliding, pull-outs)
- Simple operation and assembly
- High material and design quality of the fittings

A general overview of all solutions for sliding on furniture is provided in the product overview starting on page 52.



Fronts with substance

Sliding doors provide a wide variety of access options for cabinet walls.



Saving space

Every square centimeter is valuable, particularly in small rooms. Sliding saves space.



Using ergonomics

For commercially or industrially used furniture, the ergonomics of sliding solutions pays for itself over the years.



Beauty impresses

A beautiful item of furniture can give you years of pleasure. Sliding technology is often the key to this.

For doors that pivot or fold and slide in sideways

The Hawa Concepta family – innovative answers to every question about space

Saves space with regard to technology, maximizes space in furniture. This lies deep within the DNA of the Hawa Concepta family. It makes it possible for wooden sliding doors and entire flush-fitting furniture fronts to be easily pivoted, folded, slid in and stored away in amazingly narrow spaces – with cabinet widths of up to 2800 mm without separating walls for free access to the entire width of the furniture. With the Hawa Concepta/Hawa Folding Concepta combination, individual divisions with two, three or four doors are also not a problem. In this way, multi-functional room solutions for kitchens, home offices, media walls, walk-in closets and much more become reality within a short time. With the efficiency from planning to implementation that is typical of Hawa Sliding Solutions, thanks to standardized cabinet designs.

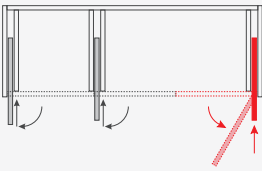
Pivot and folding/sliding doors...

Pivot, fold, slide in sideways and stack away furniture doors, therefore saving space: Made possible by furniture constructions with maximum space efficiency.

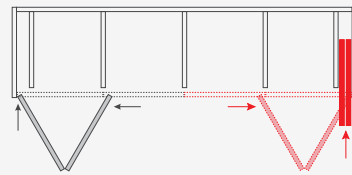
... with Hawa Concepta

The Hawa Concepta and Hawa Folding Concepta fittings can be flexibly combined, and therefore make it possible to have multi-functional system solutions for kitchens, home offices, media walls, walk-in closets and much more.

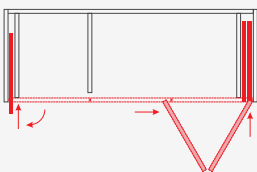
For doors that pivot and slide in sideways
Hawa Concepta 25/30/40/50



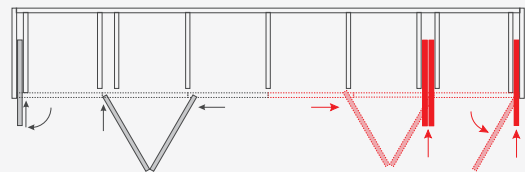
For doors that fold and slide in sideways
Hawa Folding Concepta 25



For flexible combinations
Hawa Concepta 25/30/40/50 and
Hawa Folding Concepta 25



For further combination options
Hawa Concepta 25/30/40/50 and
Hawa Folding Concepta 25



Hawa Concepta for wooden folding/sliding doors

A new dimension in furniture design

With Hawa Concepta 25/30/40/50 doors can be pivoted by 90° and slid into the side of furniture cabinets or wall niches. This opens up completely new perspectives for walk-in closets, floor-to-ceiling constructions and other storage solutions. Because the doors stored away at the side only take up a minimal niche width in the cabinet interior. This solution also impresses with its intelligent technology. That way, it can cope with the majority of dimensions.





It fulfills creative design wishes with a wide range of design options, profiles and handles. And the Hawa Concepta doesn't throw you a curve during installation, either: Apart from drill holes for positioning and concealed hinges, no other processing is required, since the components are screwed to the intermediate panel and are accessible from the front at all times for adjustment.







Area of application

Furniture constructions for multi-functional room usage such as working areas, washer/dryer combinations, cabinets which can be walked into without obstructions, and even entire kitchens which disappear behind pivot slide-in doors.

System advantages

-  **Flexibility** **Easy adaptation** for wide range of door dimensions
Can be combined with Hawa Folding Concepta to create three-leaf front panels without separating walls
-  **Productivity** **Efficient installation**, because all components are screwed to the intermediate panel
-  **Comfort** **No obstruction** by protruding doors
Guide with zero clearance and door pull-in with soft closing mechanism
Intermittent guide brushes for various door widths
-  **Aesthetics** Elegant **flush-fitting, floor-to-ceiling** and **walk-in** construction versions possible

Technical specifications

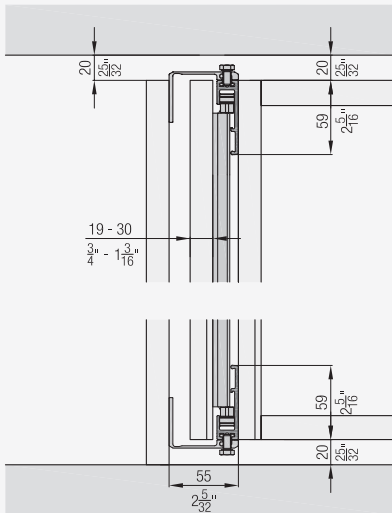
-  max. 25/30/40/50 kg
-  1250–2850 mm
-  300–900 mm
-  19–50 mm

Good to know (accessories)

- Connector makes overlaid furniture structures possible
- Straightening fitting for doors

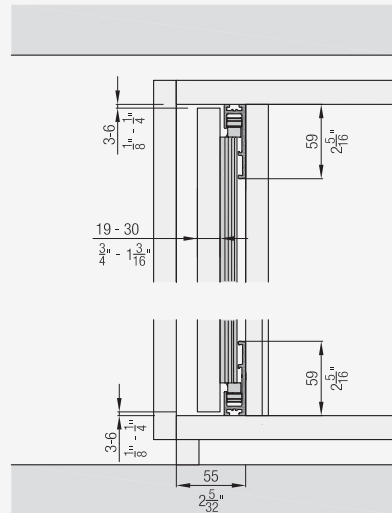
Installation examples

Hawa Concepta 25/30



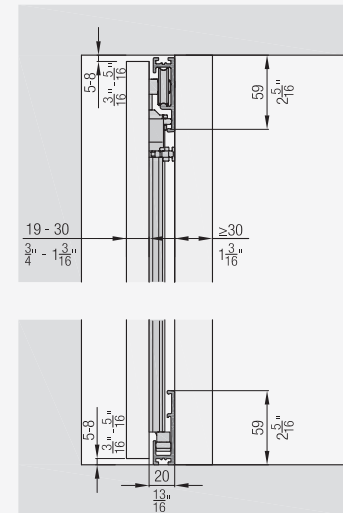
Door striking against the shelf and cabinet top

Hawa Concepta 25/30

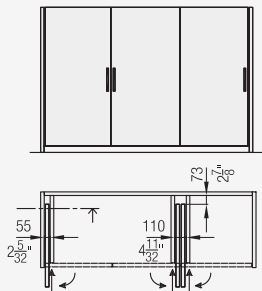


Inset door

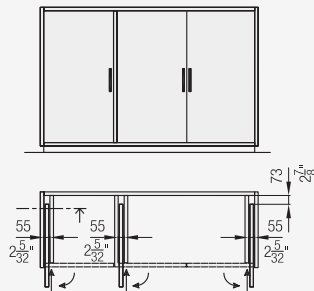
Hawa Concepta 25/30



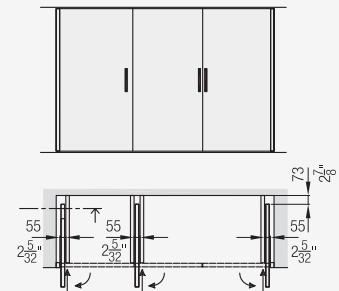
Floor-to-ceiling door, walk-in



Product range
Hawa Concepta 25/30
Hawa Concepta 40/50





Hawa Concepta 25/30
Hawa Concepta 40/50







Hawa Concepta 25/30
Hawa Concepta 40/50

Fitting for pivoting and lateral sliding in of wooden doors up to 25 kg (55 lbs.). Enables multi-functional room design, paired with a flush-fitting design.

Product highlights

-  **Flexibility** Tremendous flexible door dimensions provides a high degree of design freedom
-  **Comfort** Easy, quiet operation thanks to soft closing mechanism and hinges with integrated soft closing mechanism

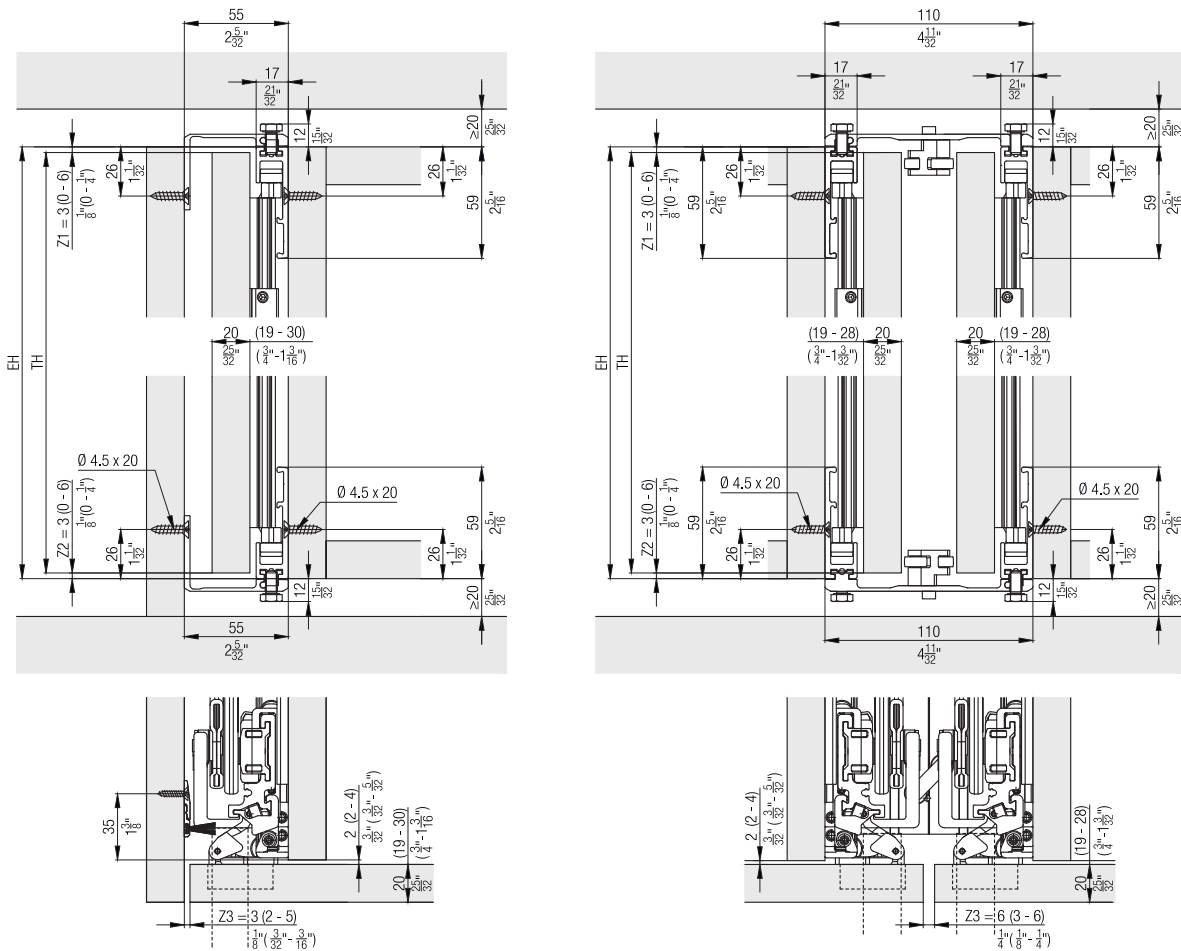
Technical specifications

-  Max. 10–25 kg (22 to 55 lbs.)
-  Max. 1250–1850 mm (4'1 7/32" to 6' 27/32")
-  Max. 300–750 mm (11 13/16" to 2'5 17/32")
-  19–50 mm (3/4" to 1 31/32")

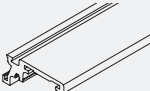
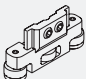
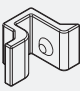



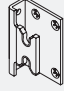
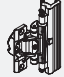

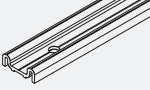




Installation examples

Door striking against the top and bottom cabinet sections

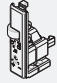
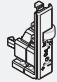

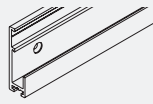
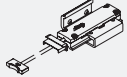

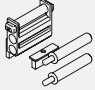

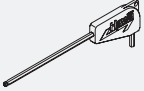
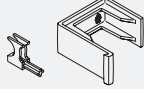


Set for 1 pivot /slide-in door up to 25 kg (55 lbs.)


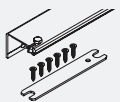

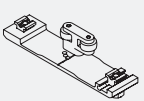
		No.	
Hawa Concepta 25, for 1 door		27648	
		27648	No.
Set consisting of:			
	Upright, 1800 mm (5'10 7/8"), aluminum, anodized	1	22055
	Upright guide, rattle proof, with plastic rollers	2	25656
	Torsion plate	1	27704
	Scissor action complete, 900 mm (2'11 7/16"), steel, galvanized	1	22592
	Front scissor guide, aluminum, anodized	1	25592
	Rear scissor guide, aluminum, anodized	1	25596
	Rear scissor bearing, 55 mm (2 5/32"), steel, galvanized	1	25855
	Concealed hinge, with damper, steel, galvanized, 3 piece-set	1	27654
	Set of screws for concealed hinges, 4x16 mm (5/8"), set of 10 pieces	1	25935
	Spacer profile, 860 mm (2'9 27/32"), pre-drilled, plastic, black	1	22861
	Set of screws for spacer profile, PH 4x16 mm (5/8"), set of 7 pieces	1	25562
	Brush guide, plastic, black, set of 3 pieces	1	25815

Continued table on next column


Table continued from previous column

	Stop cover cap Hawa Concepta, depth adjustable, top left/bottom right	1	27657
	Stop cover cap Hawa Concepta, depth adjustable, top right/bottom left	1	27658
	Cover plates, stainless steel, 1 pair	1	24739
	Bottom guide channel, 728 mm (2'4 21/32"), aluminum, anodized, pre-drilled	2	24533
	Stop damper, with retaining bracket	1	24661
	Door retractor 25/50, with damper, plastic, black	1	25814
	Soft closing system for end position, with cover caps, plastic, black	1	25862
	Screw set, 4,5x20 mm (25/32"), set of 22 pieces	1	22451
	Allen key, with handle, 3 mm (1/8")	1	13164
	Installation aid, plastic, red	1	25816


Cabinet connecting profile

		mm (inch)	No.
	Connector 55 mm (2 5/32"), for one pivot/slide-in door, aluminum, plain anodized, 2 pieces	650 (2' 1 19/32")	25438
	Connector 55 mm (2 5/32"), for one pivot/slide-in door, aluminium, anodized, 1 piece	650 (2' 1 19/32")	23221
		900 (2' 11 7/16")	23222
	Connector 110 mm (4 11/32"), for two pivot/slide-in doors, aluminium, anodized, 1 piece	650 (2' 1 19/32")	23223
		900 (2' 11 7/16")	23224
	Connector 110 mm (4 11/32"), for two pivot/slide-in doors, aluminium, anodized, 1 piece (for installation in front of a fixed base)	26 (1 1/32")	23225

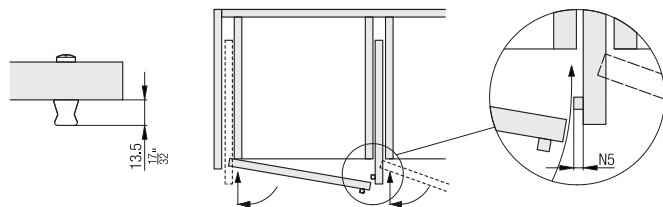
Guides

		No.
	Guide for two inset pivot sliding doors, aluminum	25680

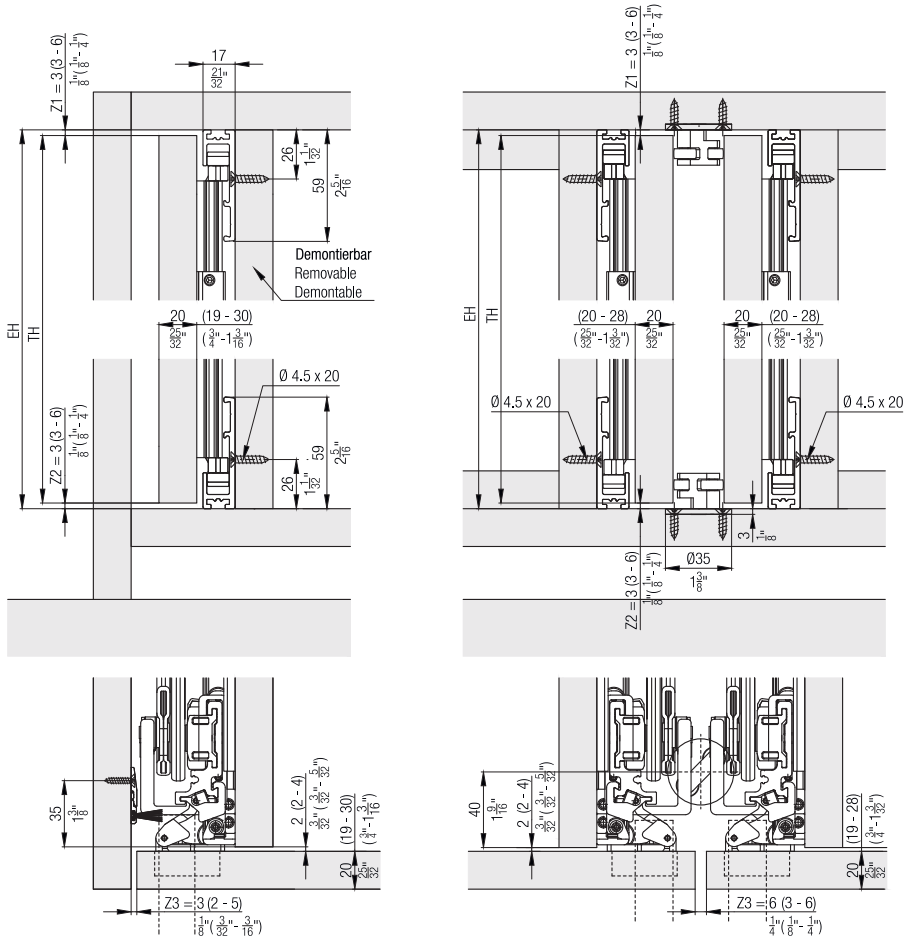
Door handles

		mm (inch)	No.
	Door handle, aluminum, anodized	400 (1' 3 3/4")	22692

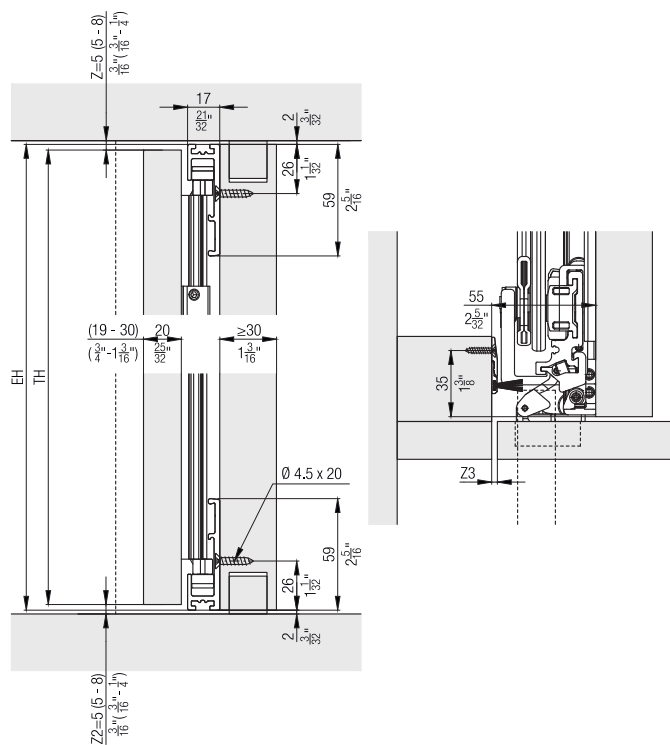
Door handle height



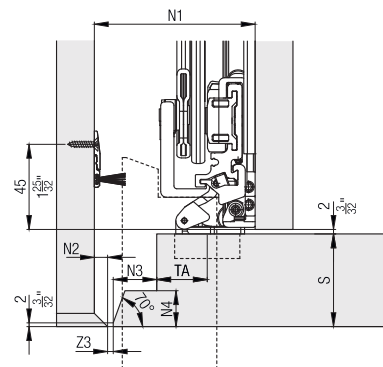
Further installation examples
Inset door



Door in wall niche



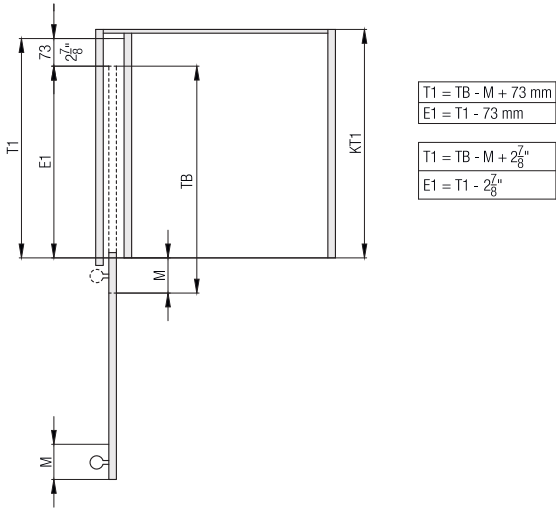
Door thickness 31–50 mm (1 7/32" to 1 31/32")



S	N1	N2	N3	N4
19-30 mm	55 mm	0 mm	0 mm	0 mm
33 mm	58 mm	0 mm	3 mm	3 mm
36 mm	63 mm	2 mm	6 mm	5 mm
39 mm	67 mm	3 mm	9 mm	8 mm
42 mm	70 mm	3 mm	12 mm	11 mm
45 mm	75 mm	5 mm	15 mm	14 mm
48 mm	79 mm	6 mm	18 mm	17 mm
50 mm	83 mm	7 mm	21 mm	19 mm

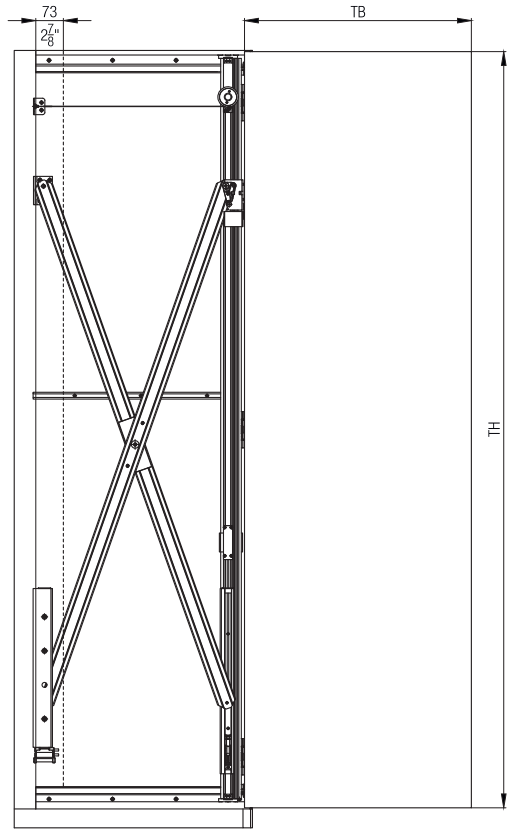
S	N1	N2	N3	N4
3 9/16 - 1 3/16"	2 3/16"	0	0	0
1 5/16"	2 9/32"	0	1/8"	1/8"
1 7/16"	2 1/4"	3/32"	1/4"	7/32"
1 17/32"	2 21/32"	1/8"	3/8"	5/16"
1 21/32"	2 3/4"	1/8"	15/32"	7/16"
1 25/32"	2 31/32"	7/32"	19/32"	9/16"
1 29/32"	3 1/8"	1/4"	23/32"	11/16"
1 31/32"	3 9/32"	9/32"	27/32"	3/4"

Fitting depth calculations



	T1	TH	E1
Hawa Concepta 25	≤ 650 mm	1250 - 1850 mm	300 - 577 mm

	T1	TH	E1
Hawa Concepta 25	≤ 2' 1 19/32"	4' 1 7/32" - 6' 0 27/32"	11 13/16" - 1' 10 23/32"



Weight and door size ratio calculations

The maximum weight must be adapted depending on the door size ratio.

TH TB	300	350	400	450	500	550	600	650	700	750
1850	25	25	25	25	25	25	25	24	23	22
1800	25	25	25	25	25	25	25	23	22	21
1750	25	25	25	25	25	25	24	22	21	21
1700	25	25	25	25	25	25	24	21	21	20
1650	25	25	25	25	25	25	23	21	20	19
1600	25	25	25	25	25	24	22	20	19	18
1550	25	25	25	25	25	24	21	19	18	18
1500	25	25	25	25	25	23	21	18	18	17
1450	25	25	25	25	24	22	20	18	17	16
1400	25	25	25	25	24	21	19	17	16	15
1350	25	25	25	24	23	21	18	19	16	15
1300	25	25	25	24	22	20	18	15	15	14
1250	25	25	24	23	21	19	17	15	14	13

Door weight in kg/TB = Door width in mm/TH = Door height in mm

Accessories

– Straightening fitting from page 50



Planning/execution

Configure with just a few clicks on www.concepta.hawa.com




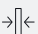
Further information about the product can be found on www.hawa.com.

Fitting for pivoting and lateral sliding in of wooden doors up to 30 kg (66 lbs.). Enables multi-functional room design, paired with a flush-fitting design.

Product highlights

-  **Flexibility** Tremendous flexible door dimensions provides a high degree of design freedom
-  **Comfort** Easy, quiet operation thanks to soft closing mechanism and hinges with integrated soft closing mechanism

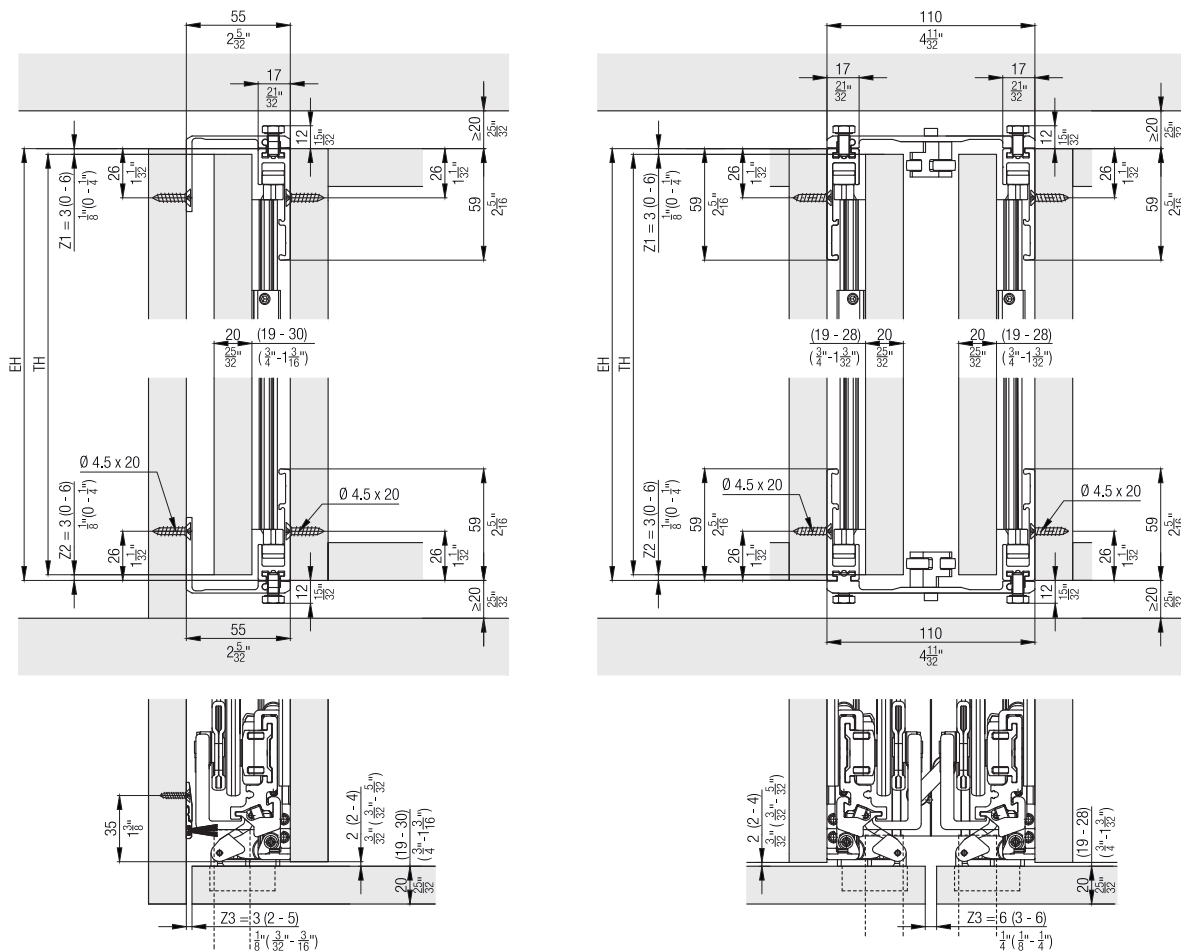
Technical specifications

-  Max. 15-30 kg (33 to 66 lbs.)
-  Max. 1851-2300 mm (6' 7/8" to 7'6 9/16")
-  Max. 300-900 mm (11 13/16" to 2'11 7/16")
-  19-50 mm (3/4" to 1 31/32")

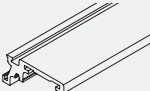
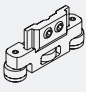
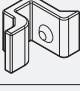



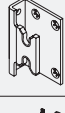
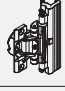

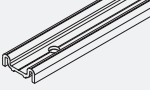




Installation examples

Door striking against the top and bottom cabinet sections

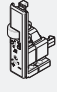
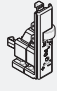
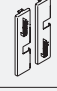

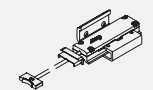
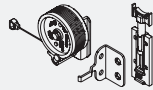
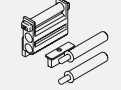

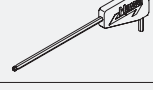
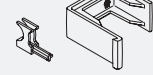


Set for 1 pivot /slide-in door up to 30 kg (66 lbs.)


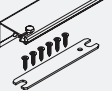
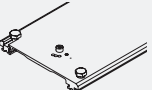
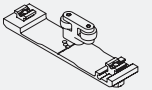
		No.	
Hawa Concepta 30, for 1 door		27649	
		27649	No.
Set consisting of:			
	Upright, 2300 mm (7'6 9/16"), aluminum, anodized	1	24699
	Upright guide, rattle proof, with plastic rollers	2	25656
	Torsion plate	1	27704
	Scissor action, complete, galvanized steel	1	22593
	Front scissor guide, aluminum, anodized	1	25592
	Rear scissor guide, aluminum, anodized	1	25596
	Rear scissor bearing, 55 mm (2 5/32"), steel, galvanized	1	25855
	Concealed hinge, with damper, steel, galvanized, 3 piece-set	1	27654
	Set of screws for concealed hinges, 4x16 mm (5/8"), set of 10 pieces	1	25935
	Spacer profile, 860 mm (2'9 27/32"), pre-drilled, plastic, black	1	22861
	Set of screws for spacer profile, PH 4x16 mm (5/8"), set of 7 pieces	1	25562
	Brush guide, plastic, black, set of 3 pieces	1	25815

Continued table on next column


Table continued from previous column

	Stop cover cap Hawa Concepta, depth adjustable, top left/bottom right	1	27657
	Stop cover cap Hawa Concepta, depth adjustable, top right/bottom left	1	27658
	Cover plates, stainless steel, 1 pair	1	24739
	Bottom guide channel, 896 mm (2'11 9/32"), aluminium, anodized, pre-drilled	2	24535
	Stop damper, with retaining bracket	1	24660
	Door retractor 30/40, with damper, plastic, black	1	25813
	Soft closing system for end position, with cover caps, plastic, black	1	25862
	Screw set, 4,5x20 mm (25/32"), set of 22 pieces	1	22451
	Allen key, with handle, 3 mm (1/8")	1	13164
	Installation aid, plastic, red	1	25816


Cabinet connecting profile

		mm (inch)	No.
	Connector 55 mm (2 5/32"), for one pivot/slide-in door, aluminum, plain anodized, 2 pieces	650 (2' 1 19/32")	25438
	Connector 55 mm (2 5/32"), for one pivot/slide-in door, aluminium, anodized, 1 piece	650 (2' 1 19/32")	23221
		900 (2' 11 7/16")	23222
	Connector 110 mm (4 11/32"), for two pivot/slide-in doors, aluminium, anodized, 1 piece	650 (2' 1 19/32")	23223
		900 (2' 11 7/16")	23224
	Connector 110 mm (4 11/32"), for two pivot/slide-in doors, aluminium, anodized, 1 piece (for installation in front of a fixed base)	26 (1 1/32")	23225

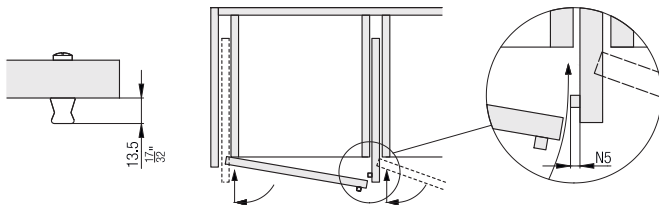
Guides

		No.
	Guide for two inset pivot sliding doors, aluminum	25680

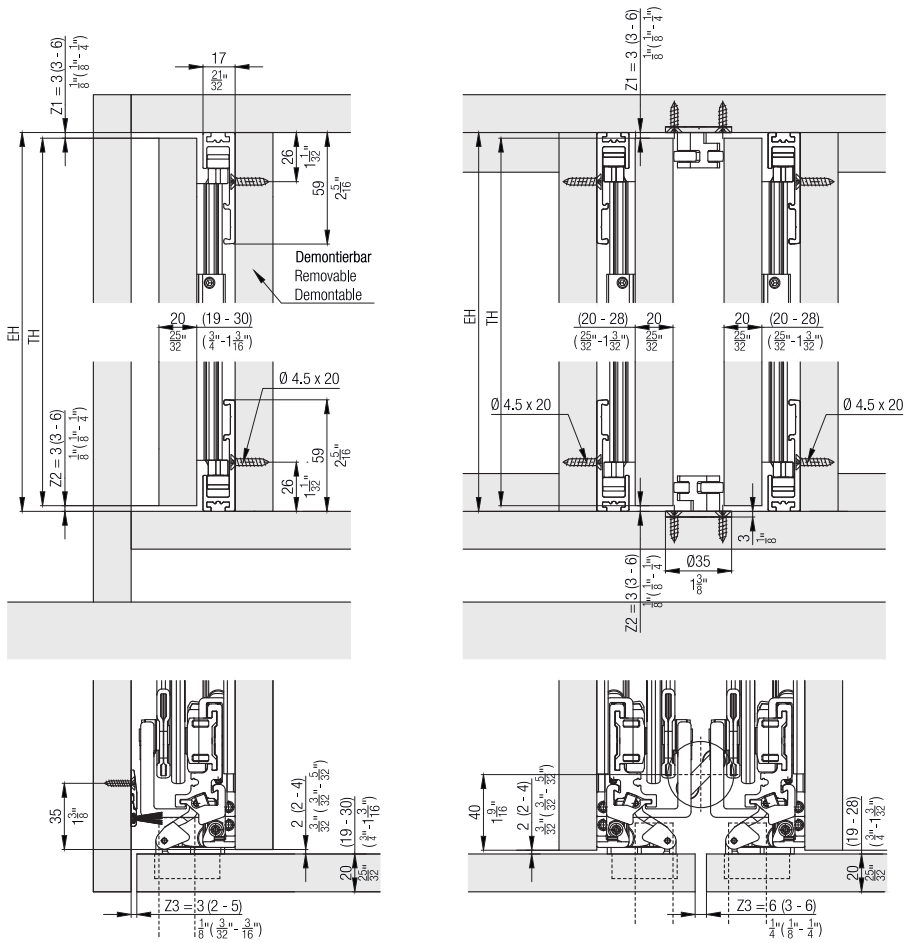
Door handles

		mm (inch)	No.
	Door handle, aluminum, anodized	400 (1' 3 3/4")	22692

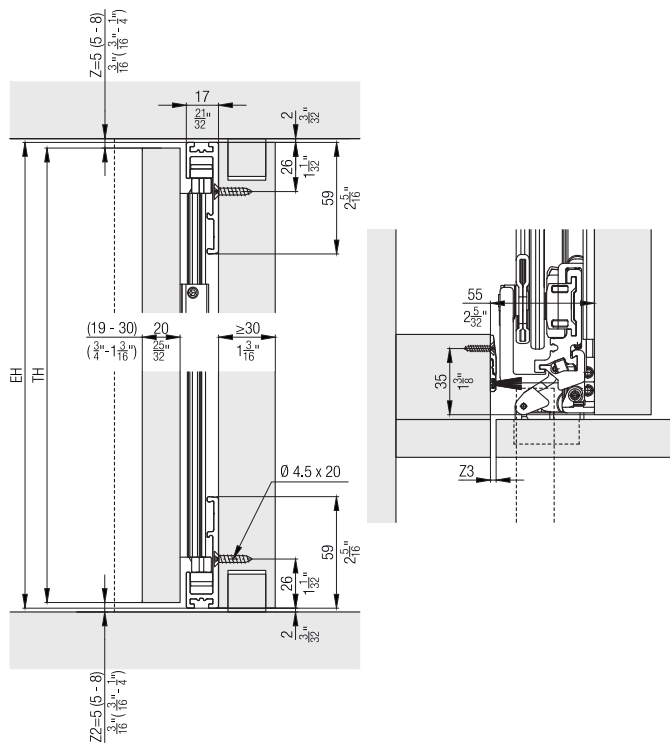
Door handle height



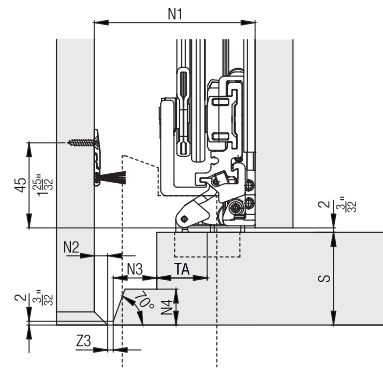
Further installation examples
Inset door



Door in wall niche



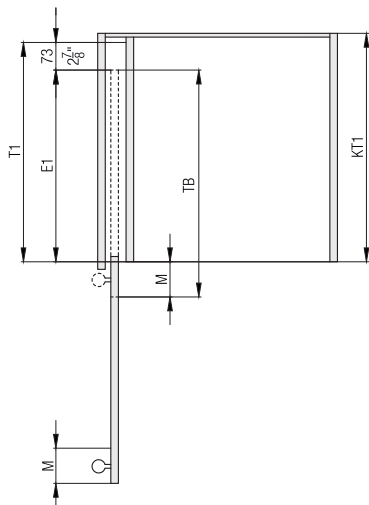
Door thickness 31–50 mm (1 7/32" to 1 31/32")



S	N1	N2	N3	N4
19-30 mm	55 mm	0 mm	0 mm	0 mm
33 mm	58 mm	0 mm	3 mm	3 mm
36 mm	63 mm	2 mm	6 mm	5 mm
39 mm	67 mm	3 mm	9 mm	8 mm
42 mm	70 mm	3 mm	12 mm	11 mm
45 mm	75 mm	5 mm	15 mm	14 mm
48 mm	79 mm	6 mm	18 mm	17 mm
50 mm	83 mm	7 mm	21 mm	19 mm

S	N1	N2	N3	N4
3/4" - 1 3/16"	2 3/16"	0	0	0
1 5/16"	2 9/32"	0	1/8"	1/8"
1 7/16"	2 1/2"	3/32"	1/4"	7/32"
1 17/32"	2 21/32"	1/8"	3/8"	5/16"
1 21/32"	2 3/4"	1/8"	15/32"	7/16"
1 25/32"	2 31/32"	7/32"	19/32"	9/16"
1 29/32"	3 1/8"	1/4"	23/32"	11/16"
1 31/32"	3 9/32"	9/32"	27/32"	3/4"

Fitting depth calculations



$$T1 = TB - M + 73 \text{ mm}$$

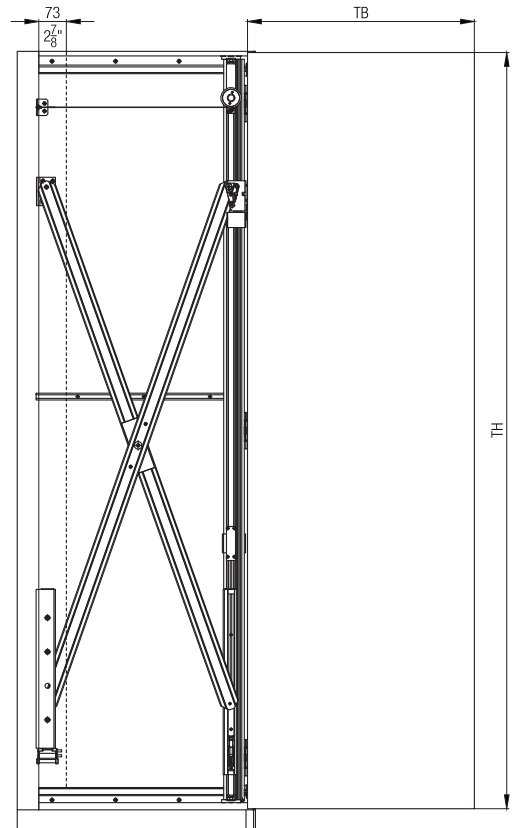
$$E1 = T1 - 73 \text{ mm}$$

$$T1 = TB - M + 2\frac{7}{8}''$$

$$E1 = T1 - 2\frac{7}{8}''$$

	T1	TH	E1
Hawa Concepta 30	≤ 900 mm	1851 - 2300 mm	300 - 827 mm

	T1	TH	E1
Hawa Concepta 30	≤ 2' 11 $\frac{7}{16}$ "	6' 0 $\frac{7}{8}$ " - 7' 6 $\frac{9}{16}$ "	11 $\frac{13}{16}$ " - 2' 8 $\frac{9}{16}$ "



Weight and door size ratio calculations

The maximum weight must be adapted depending on the door size ratio.

TH \ TB	300	350	400	450	500	550	600	650	700	750	800	850	900
2300	30	30	30	30	30	30	30	30	30	30	29	27	26
2250	30	30	30	30	30	30	30	30	30	30	28	27	25
2200	30	30	30	30	30	30	30	30	30	29	27	26	24
2150	30	30	30	30	30	30	30	30	30	29	27	25	24
2100	30	30	30	30	30	30	30	30	30	28	26	25	23
2050	30	30	30	30	30	30	30	30	29	27	25	24	23
2000	30	30	30	30	30	30	30	30	29	26	25	23	22
1950	30	30	30	30	30	30	30	29	27	26	24	23	21
1900	30	30	30	30	30	30	30	29	27	25	23	22	21
1851	30	30	30	30	30	30	30	28	26	24	23	21	20

Door weight in kg/TB = Door width in mm/TH = Door height in mm

Accessories

– Straightening fitting from page 50



Planning/execution

Configure with just a few clicks on www.concepta.hawa.com





Further information about the product can be found on www.hawa.com.

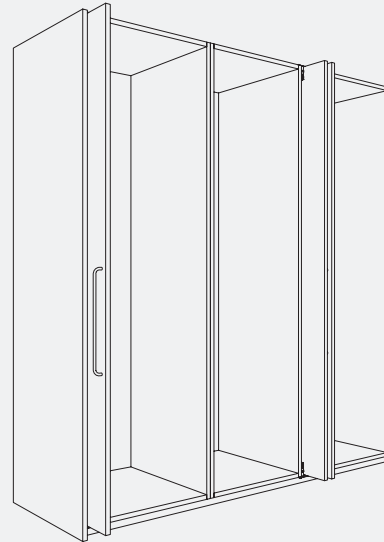
Fitting for pivoting and lateral sliding in of wooden doors up to 40 kg (88 lbs.). Enables multi-functional room design, paired with a flush-fitting design.

Product highlights

-  **Flexibility** Tremendous flexible door dimensions provides a high degree of design freedom
-  **Comfort** Easy, quiet operation thanks to soft closing mechanism and hinges with integrated soft closing mechanism

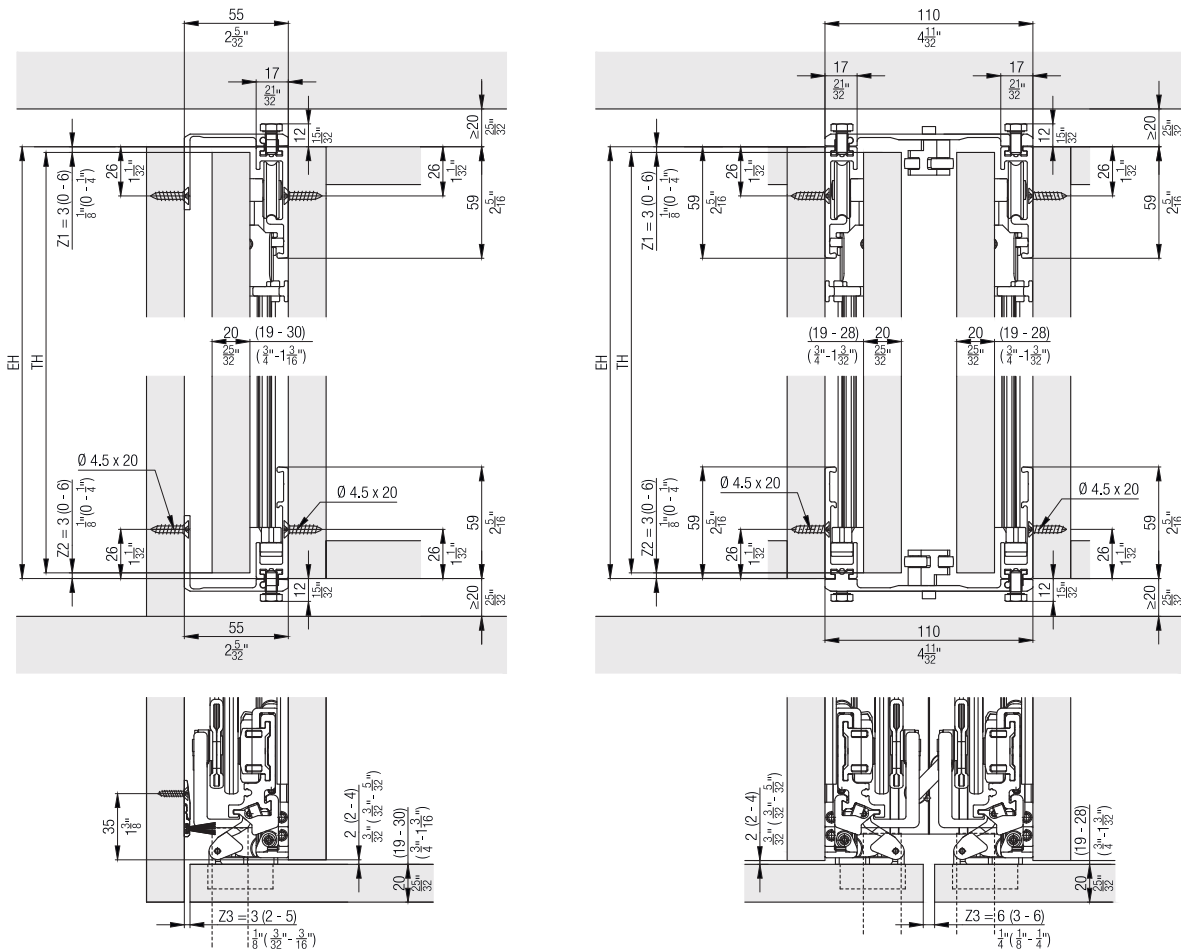
Technical specifications

-  Max. 20–40 kg (44 to 88 lbs.)
-  Max. 1851–2300 mm (6' 7/8" to 7'6 9/16")
-  Max. 300–900 mm (11 13/16" to 2'11 7/16")
-  19–50 mm (3/4" to 1 31/32")



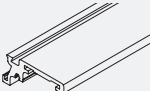

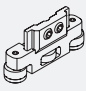



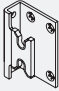


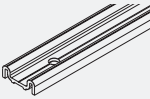


Installation examples

Door striking against the top and bottom cabinet sections




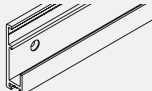
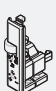
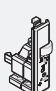
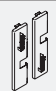
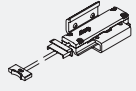
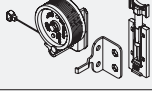
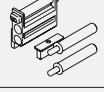

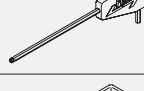

Set for 1 pivot /slide-in door up to 40 kg (88 lbs.)

Hawa Concepta 40, for 1 door	No. 27650
------------------------------	--------------


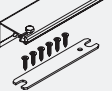

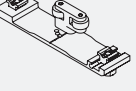
Set consisting of:		27650	No.
	Upright, 2500 mm (8'2 7/16"), aluminum, anodized	1	22056
	Running gear, ball bearing, with torsion plate, height adjustable, aluminum, nickel matt	1	24955
	Upright guide, rattle proof, with plastic rollers	1	25656
	Scissor action complete, 1500 mm (4'11 1/16"), steel, galvanized	1	22594
	Front scissor guide, aluminum, anodized	1	25592
	Rear scissor guide, aluminum, anodized	1	25596
	Rear scissor bearing, 55 mm (2 5/32"), steel, galvanized	1	25855
	Concealed hinge, with damper, steel, galvanized, 4 piece-set	1	27655
	Set of screws for concealed hinges, 4x16 mm (5/8"), set of 10 pieces	1	25935
	Spacer profile, 860 mm (2'9 27/32"), pre-drilled, plastic, black	1	22861
	Set of screws for spacer profile, PH 4x16 mm (5/8"), set of 7 pieces	1	25562
	Brush guide, plastic, black, set of 3 pieces	1	25815

Continued table on next column


Table continued from previous column

	Running track, 896 mm (2'11 9/32"), aluminium, anodized, pre-drilled	1	24528
	Bottom guide channel, 896 mm (2'11 9/32"), aluminium, anodized, pre-drilled	1	24535
	Stop cover cap Hawa Concepta, depth adjustable, top left/bottom right	1	27657
	Stop cover cap Hawa Concepta, depth adjustable, top right/bottom left	1	27658
	Cover plates, stainless steel, 1 pair	1	24739
	Stop damper, with retaining bracket	1	24660
	Door retractor 30/40, with damper, plastic, black	1	25813
	Soft closing system for end position, with cover caps, plastic, black	1	25862
	Screw set, 4,5x20 mm (25/32"), set of 22 pieces	1	22451
	Allen key, with handle, 3 mm (1/8")	1	13164
	Installation aid, plastic, red	1	25816


Cabinet connecting profile

		mm (inch)	No.
	Connector 55 mm (2 5/32"), for one pivot/slide-in door, aluminum, plain anodized, 2 pieces	650 (2' 1 19/32")	25438
	Connector 55 mm (2 5/32"), for one pivot/slide-in door, aluminium, anodized, 1 piece	650 (2' 1 19/32")	23221
		900 (2' 11 7/16")	23222
	Connector 110 mm (4 11/32"), for two pivot/slide-in doors, aluminium, anodized, 1 piece	650 (2' 1 19/32")	23223
		900 (2' 11 7/16")	23224
	Connector 110 mm (4 11/32"), for two pivot/slide-in doors, aluminium, anodized, 1 piece (for installation in front of a fixed base)	26 (1 1/32")	23225

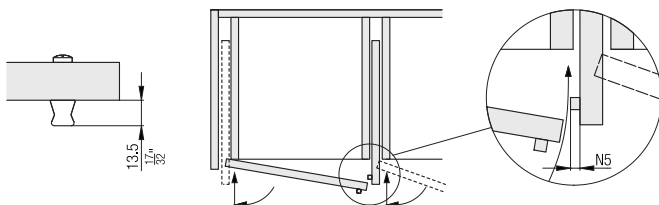
Guides

		No.
	Guide for two inset pivot sliding doors, aluminum	25680

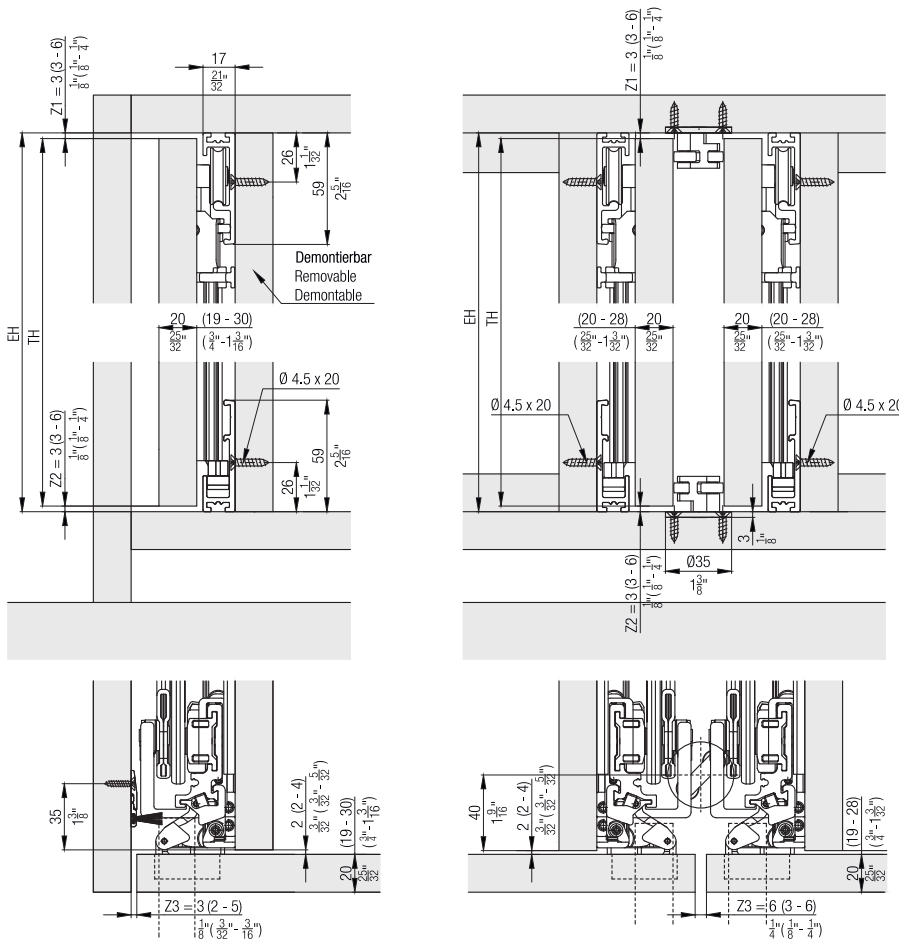
Door handles

		mm (inch)	No.
	Door handle, aluminum, anodized	400 (1' 3 3/4")	22692

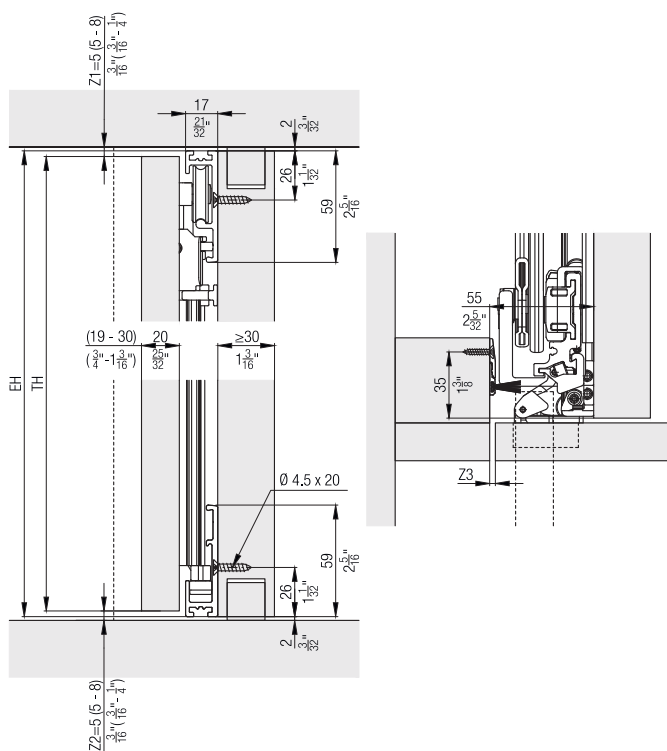
Door handle height



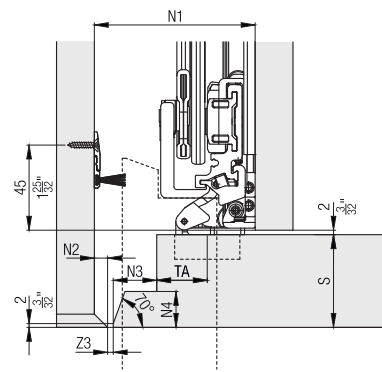
Further installation examples
Inset door



Door in wall niche



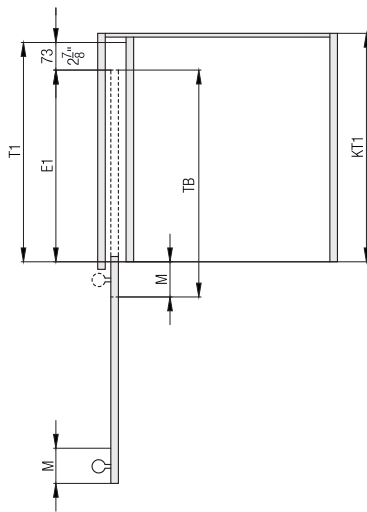
Door thickness 31-50 mm (1 7/32" to 1 31/32")



S	N1	N2	N3	N4
19-30 mm	55 mm	0 mm	0 mm	0 mm
33 mm	58 mm	0 mm	3 mm	3 mm
36 mm	63 mm	2 mm	6 mm	5 mm
39 mm	67 mm	3 mm	9 mm	8 mm
42 mm	70 mm	3 mm	12 mm	11 mm
45 mm	75 mm	5 mm	15 mm	14 mm
48 mm	79 mm	6 mm	18 mm	17 mm
50 mm	83 mm	7 mm	21 mm	19 mm

S	N1	N2	N3	N4
3/4" - 1 3/16"	2 3/16"	0	0	0
1 5/16"	2 9/32"	0	1/8"	1/8"
1 7/16"	2 1/2"	3/32"	1/4"	7/32"
1 17/32"	2 21/32"	1/8"	3/8"	5/16"
1 21/32"	2 4"	1/8"	15/32"	7/16"
1 25/32"	2 31/32"	7/32"	19/32"	9/16"
1 29/32"	3 1/8"	1"	23/32"	11/16"
1 31/32"	3 9/32"	9/32"	27/32"	3/4"

Fitting depth calculations



$$T1 = TB - M + 73 \text{ mm}$$

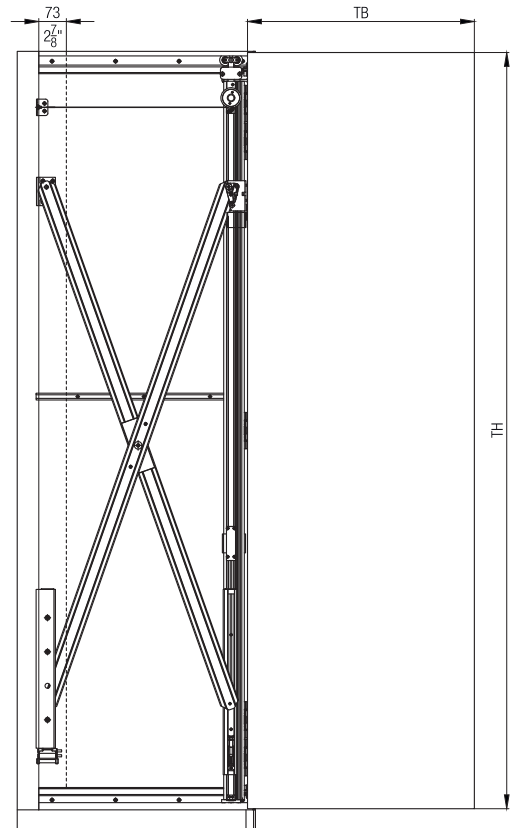
$$E1 = T1 - 73 \text{ mm}$$

$$T1 = TB - M + 2\frac{7}{8}''$$

$$E1 = T1 - 2\frac{7}{8}''$$

	T1	TH	E1
Hawa Concepta 40	≤ 900 mm	1851 - 2500 mm	300 - 827 mm

	T1	TH	E1
Hawa Concepta 40	≤ 2' 11 $\frac{7}{16}$ "	6' 0 $\frac{0}{8}$ " - 8' 2 $\frac{7}{16}$ "	11 $\frac{13}{16}$ " - 2' 8 $\frac{9}{16}$ "



Weight and door size ratio calculations

The maximum weight must be adapted depending on the door size ratio.

TH \ TB	300	350	400	450	500	550	600	650	700	750	800	850	900
2500	40	40	40	40	40	40	40	40	40	37	34	32	31
2450	40	40	40	40	40	40	40	40	39	36	34	32	30
2400	40	40	40	40	40	40	40	40	38	35	33	31	29
2350	40	40	40	40	40	40	40	40	37	34	32	30	29
2300	40	40	40	40	40	40	40	39	36	33	31	30	28
2250	40	40	40	40	40	40	40	38	35	33	31	29	27
2200	40	40	40	40	40	40	40	37	34	32	30	28	27
2150	40	40	40	40	40	40	39	36	33	31	29	27	26
2100	40	40	40	40	40	40	38	35	32	31	28	27	25
2050	40	40	40	40	40	40	37	34	31	30	28	26	24
2000	40	40	40	40	40	39	36	33	31	29	27	25	24
1950	40	40	40	40	40	38	35	32	30	28	26	24	23
1900	40	40	40	40	40	37	34	31	29	27	25	24	22
1851	40	40	40	40	39	36	33	30	28	26	24	23	22

Door weight in kg/TB = Door width in mm/TH = Door height in mm

Accessories

– Straightening fitting from page 50



Planning/execution

Configure with just a few clicks on www.concepta.hawa.com





Further information about the product can be found on www.hawa.com.

Fitting for pivoting and lateral sliding in of wooden doors up to 50 kg (110 lbs.). Enables multi-functional room design, paired with a flush-fitting design.

Product highlights

-  **Flexibility** Tremendous flexible door dimensions provides a high degree of design freedom
-  **Comfort** Easy, quiet operation thanks to soft closing mechanism and hinges with integrated soft closing mechanism

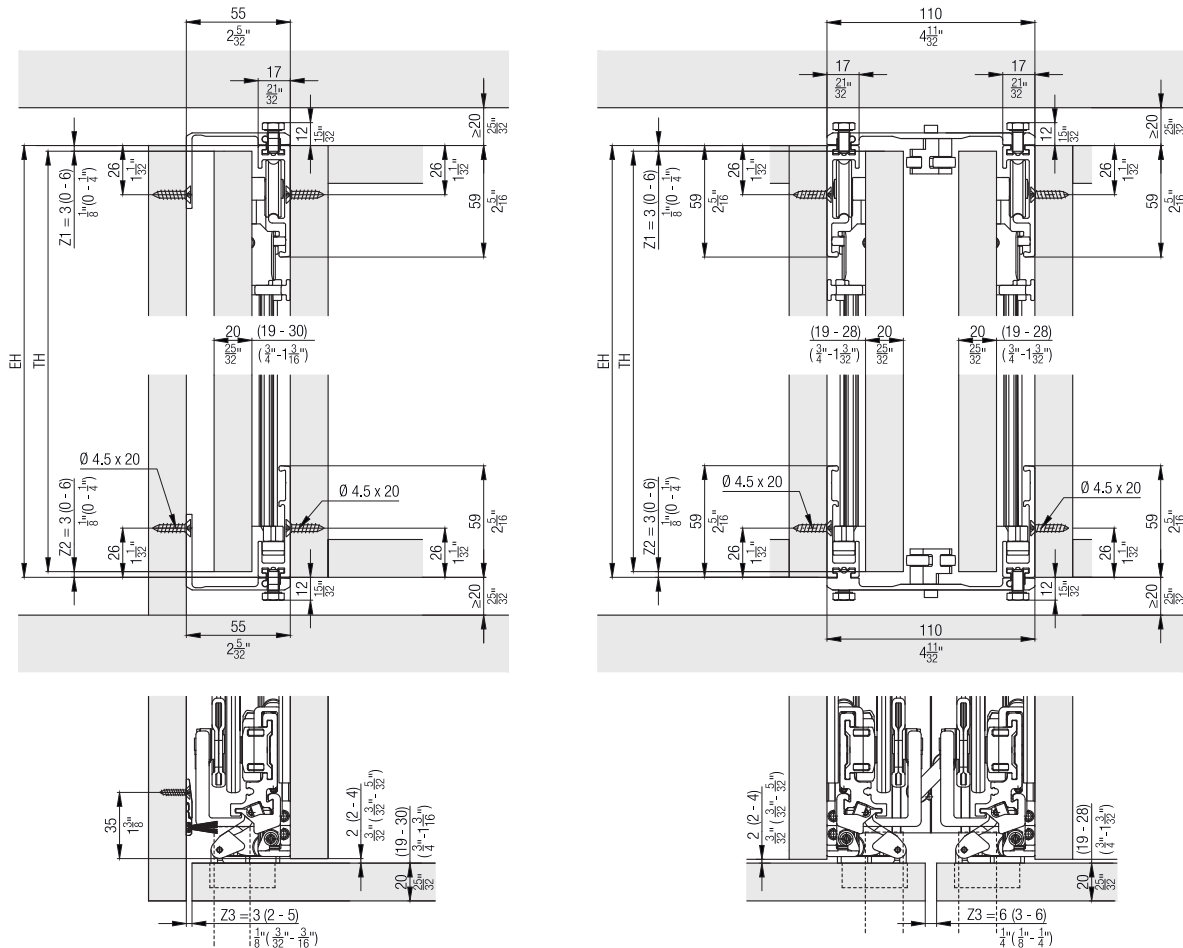
Technical specifications

-  Max. 25--50 kg (55 to 110 lbs.)
-  Max. 2301–2850 mm (7'6 19/32" to 9'4 7/32")
-  Max. 300–900 mm (11 13/16" to 2'11 7/16")
-  19–50 mm (3/4" to 1 31/32")

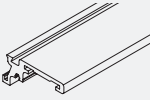

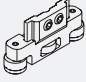



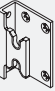


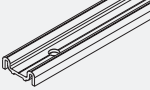




Installation examples

Door striking against the top and bottom cabinet sections



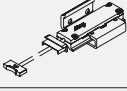

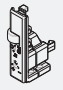
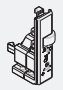

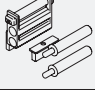

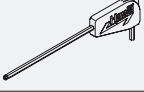
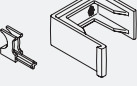


Set for 1 pivot /slide-in door up to 50 kg (110 lbs.)


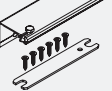

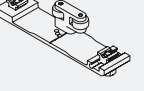
		No.			
Hawa Concepta 50, for 1 door		27651			
		27651	No.		
Set consisting of:					
	Upright, 2760 mm (9' 21/32"), aluminium, anodized			1	22057
	Running gear, ball bearing, with torsion plate, height adjustable, aluminum, nickel matt			1	24955
	Upright guide, rattle proof, with plastic rollers			1	25656
	Scissor action complete, 1500 mm (4'11 1/16"), steel, galvanized			1	22594
	Front scissor guide, aluminum, anodized			1	25592
	Rear scissor guide, aluminum, anodized			1	25596
	Rear scissor bearing, 55 mm (2 5/32"), steel, galvanized			1	25855
	Concealed hinge, with damper, steel, galvanized, 5 piece-set			1	27656
	Set of screws for concealed hinges, 4x16 mm (5/8"), set of 10 pieces			1	25935
	Spacer profile, 860 mm (2'9 27/32"), pre-drilled, plastic, black	1	22861		
	Set of screws for spacer profile, PH 4x16 mm (5/8"), set of 7 pieces	1	25562		
	Brush guide, plastic, black, set of 3 pieces	1	25815		

Continued table on next column


Table continued from previous column

	Running track, 896 mm (2'11 9/32"), aluminium, anodized, pre-drilled	1	24528
	Bottom guide channel, 896 mm (2'11 9/32"), aluminium, anodized, pre-drilled	1	24535
	Stop damper, with retaining bracket	1	24660
	Door retractor 25/50, with damper, plastic, black	1	25814
	Stop cover cap Hawa Concepta, depth adjustable, top left/bottom right	1	27657
	Stop cover cap Hawa Concepta, depth adjustable, top right/bottom left	1	27658
	Cover plates, stainless steel, 1 pair	1	24739
	Soft closing system for end position, with cover caps, plastic, black	1	25862
	Screw set, 4,5x20 mm (25/32"), set of 22 pieces	1	22451
	Allen key, with handle, 3 mm (1/8")	1	13164
	Installation aid, plastic, red	1	25816


Cabinet connecting profile

		mm (inch)	No.
	Connector 55 mm (2 5/32"), for one pivot/slide-in door, aluminum, plain anodized, 2 pieces	650 (2' 1 19/32")	25438
	Connector 55 mm (2 5/32"), for one pivot/slide-in door, aluminium, anodized, 1 piece	650 (2' 1 19/32")	23221
		900 (2' 11 7/16")	23222
	Connector 110 mm (4 11/32"), for two pivot/slide-in doors, aluminium, anodized, 1 piece	650 (2' 1 19/32")	23223
		900 (2' 11 7/16")	23224
	Connector 110 mm (4 11/32"), for two pivot/slide-in doors, aluminium, anodized, 1 piece (for installation in front of a fixed base)	26 (1 1/32")	23225

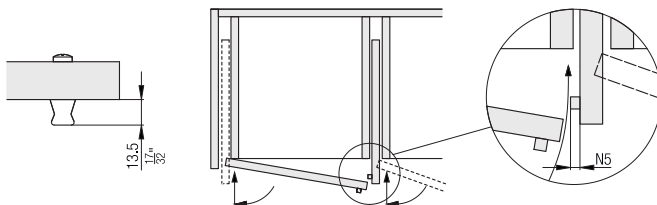
Guides

		No.
	Guide for two inset pivot sliding doors, aluminum	25680

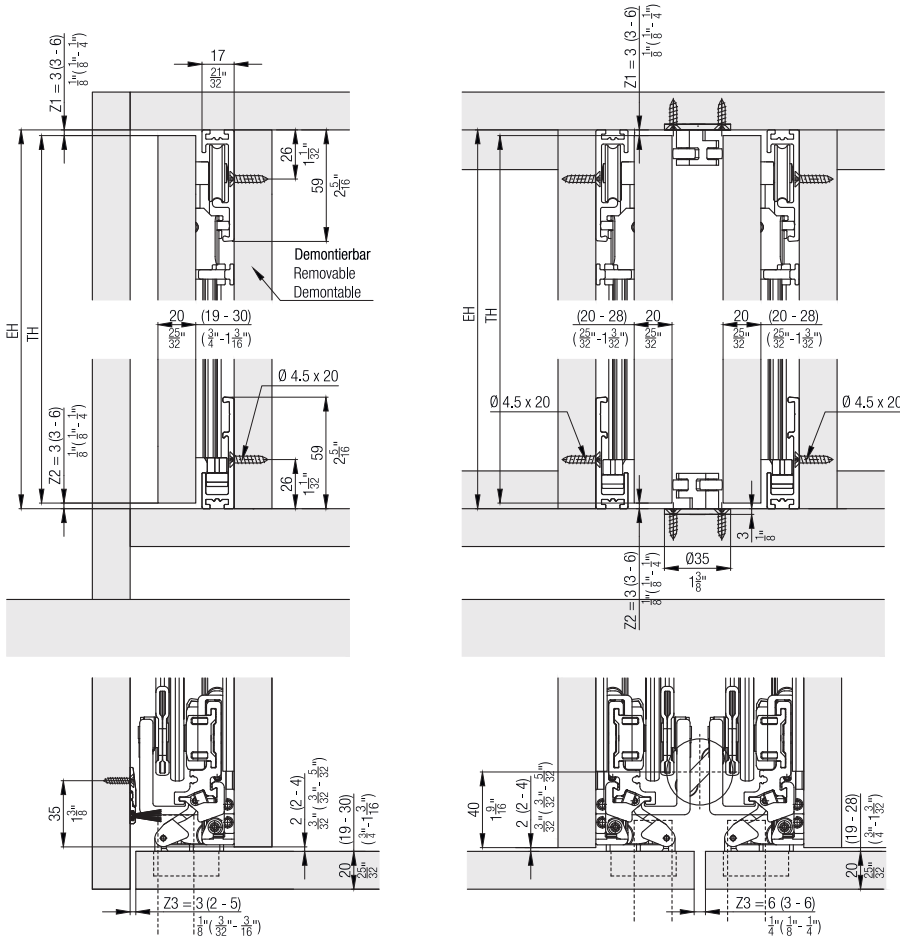
Door handles

		mm (inch)	No.
	Door handle, aluminum, anodized	400 (1' 3 3/4")	22692

Door handle height

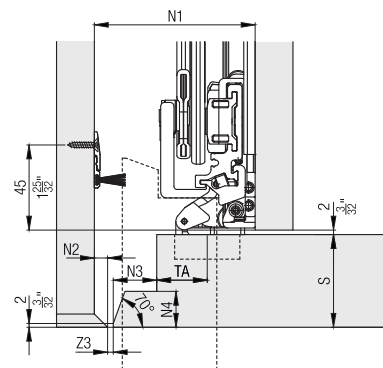
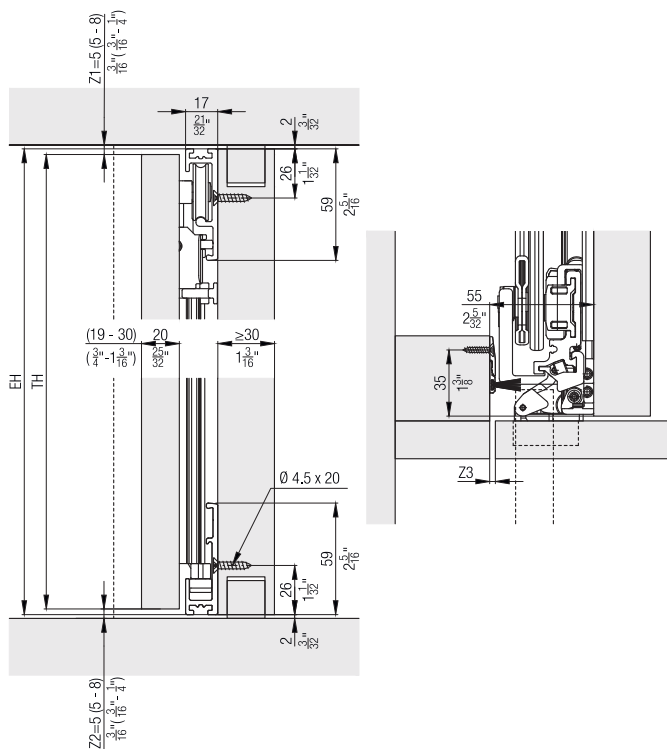


Further installation examples
Inset door



Door in wall niche

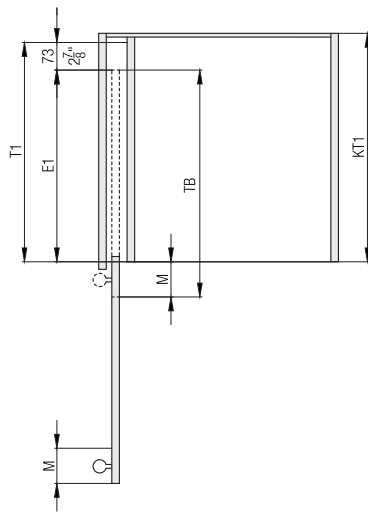
Door thickness 31–50 mm (1 7/32" to 1 31/32")



S	N1	N2	N3	N4
19-30 mm	55 mm	0 mm	0 mm	0 mm
33 mm	58 mm	0 mm	3 mm	3 mm
36 mm	63 mm	2 mm	6 mm	5 mm
39 mm	67 mm	3 mm	9 mm	8 mm
42 mm	70 mm	3 mm	12 mm	11 mm
45 mm	75 mm	5 mm	15 mm	14 mm
48 mm	79 mm	6 mm	18 mm	17 mm
50 mm	83 mm	7 mm	21 mm	19 mm

S	N1	N2	N3	N4
3/4 - 1 3/16	2 3/16	0	0	0
1 5/16	2 9/32	0	1/8	1/8
1 7/16	2 1/2	3/32	1/4	7/32
1 17/32	2 21/32	1/8	3/8	5/16
1 21/32	2 3/4	1/8	15/32	7/16
1 25/32	2 31/32	7/32	19/32	9/16
1 29/32	3 1/8	1/4	23/32	11/16
1 31/32	3 9/32	9/32	27/32	3/4

Fitting depth calculations

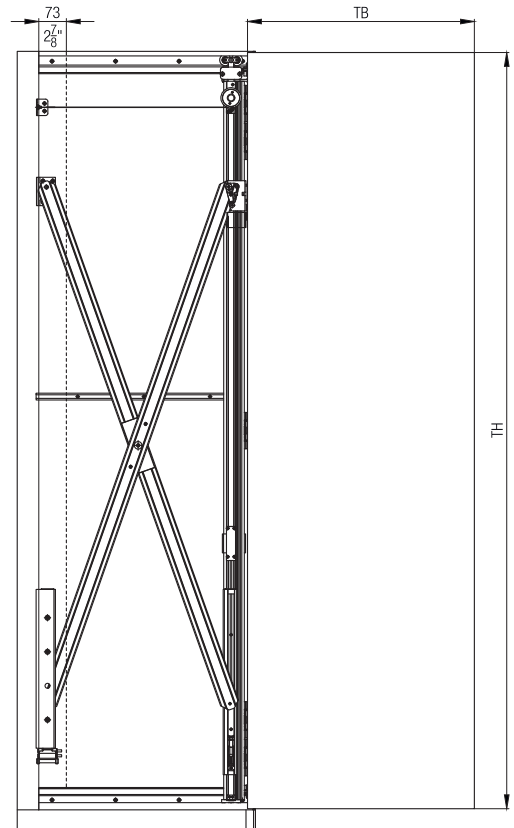


$$T1 = TB - M + 73 \text{ mm}$$

$$E1 = T1 - 73 \text{ mm}$$

$$T1 = TB - M + 2\frac{7}{8}''$$

$$E1 = T1 - 2\frac{7}{8}''$$



	T1	TH	E1
Hawa Concepta 40	≤ 900 mm	1851 - 2500 mm	300 - 827 mm

	T1	TH	E1
Hawa Concepta 40	≤ 2' 11 ⁷ / ₁₆ "	6' 0 ⁷ / ₈ " - 8' 2 ⁷ / ₁₆ "	11 ¹³ / ₁₆ " - 2' 8 ⁹ / ₁₆ "

	T1	TH	E1
Hawa Concepta 50	≤ 900 mm	2301 - 2850 mm	300 - 827 mm

	T1	TH	E1
Hawa Concepta 50	≤ 2' 11 ⁷ / ₁₆ "	7' 6 ¹⁹ / ₃₂ " - 9' 4 ⁷ / ₃₂ "	11 ¹³ / ₁₆ " - 2' 8 ⁹ / ₁₆ "

Weight and door size ratio calculations

The maximum weight must be adapted depending on the door size ratio.

TH	TB	300	350	400	450	500	550	600	650	700	750	800	850	900
2850	50	50	50	50	50	50	50	50	50	50	50	50	50	50
2800	50	50	50	50	50	50	50	50	50	50	50	50	50	50
2750	50	50	50	50	50	50	50	50	50	50	50	50	50	50
2700	50	50	50	50	50	50	50	50	50	50	50	50	50	49
2650	50	50	50	50	50	50	50	50	50	50	50	50	50	48
2600	50	50	50	50	50	50	50	50	50	50	50	50	49	48
2550	50	50	50	50	50	50	50	50	50	50	50	50	48	47
2500	50	50	50	50	50	50	50	50	50	50	50	49	48	46
2450	50	50	50	50	50	50	50	50	50	50	49	48	47	45
2400	50	50	50	50	50	50	50	50	50	50	48	48	46	45
2350	50	50	50	50	50	50	50	50	50	49	48	47	45	44
2301	50	50	50	50	50	50	50	49	48	47	46	45	43	

Door weight in kg/TB = Door width in mm/TH = Door height in mm

Accessories

– Straightening fitting from page 50

Planning/execution

Configure with just a few clicks on www.concepta.hawa.com

Further information about the product can be found on www.hawa.com.

Hawa Folding Concepta for wooden pivot and folding/sliding doors

Folding flush-fitting furniture fronts and making them disappear





Make entire cabinet fronts up to 2800 mm in width disappear flush with the outer face with a single manual operation: not a problem with the Hawa Folding Concepta. Two doors can be folded and slid in at the side with this well thought-out fitting system. The slide-in loss is a mere 73 mm using this system, the niche width is just 110 mm and you even gain space in the room, since the doors are stored away flush in the furniture cabinet or in the wall pocket when the front panel is opened. And the high-quality scissor technology of Hawa Sliding Solutions guarantees that the doors move smoothly and quietly without jamming. Easy on the eye: uniform gap pattern in the closed condition – also in combination with Hawa Concepta. And a view of the elegant, black or plain anodized aluminum profiles in open furniture.







Area of application

Variable, multi-functional use of rooms, such as for home offices which disappear behind doors, cabinet fronts which conceal a kitchen, or utility rooms or store rooms which are designed as walk-in cabinets.

System advantages

-  **Flexibility** **Easy adaptation** for wide range of door dimensions
Can be combined with Hawa Concepta to create two, three and four-leaf front panels without separating walls
-  **Productivity** **Efficient installation**, because all components are screwed on
-  **Comfort** **No obstruction** by protruding doors
Entire cabinet fronts can be folded and slid in with a single manual operation
-  **Aesthetics** **Elegant flush-fitting, floor-to-ceiling and walk-in** construction versions possible, including black anodized

Technical specifications

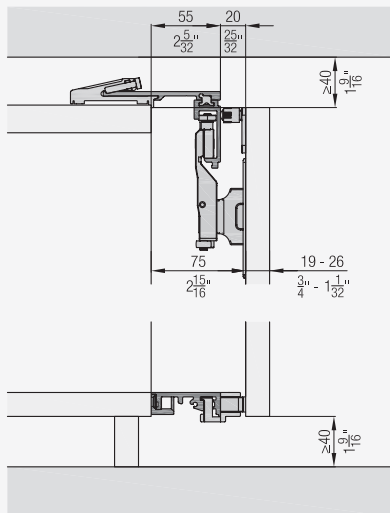
-  max. 25 kg
 (50 kg per pair of doors)
-  1250–2600 mm
-  300–700 mm
-  19–26 mm

Good to know (accessories)

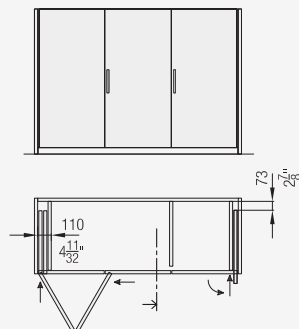
- Straightening fitting for doors
- Reinforcement profile for stability

Installation examples

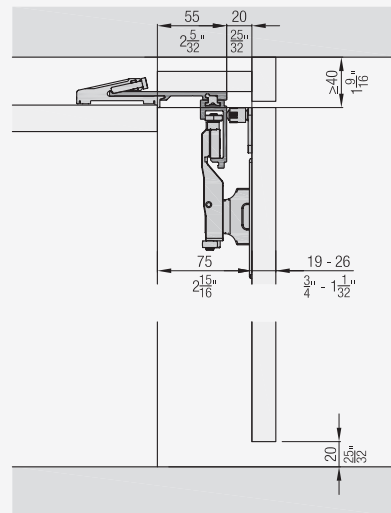
Hawa Folding Concepta 25



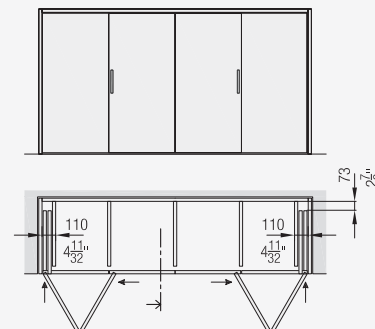
Front-hung cabinet fronts in combination with Hawa Concepta



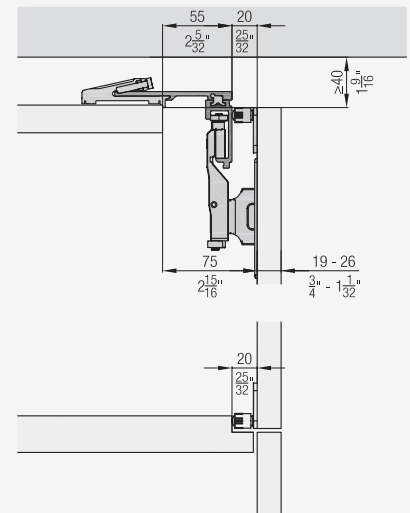
Hawa Folding Concepta 25



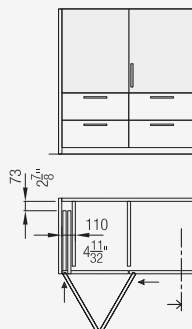
Niche cover without furniture tops



Hawa Folding Concepta 25



Half-height version from worktop



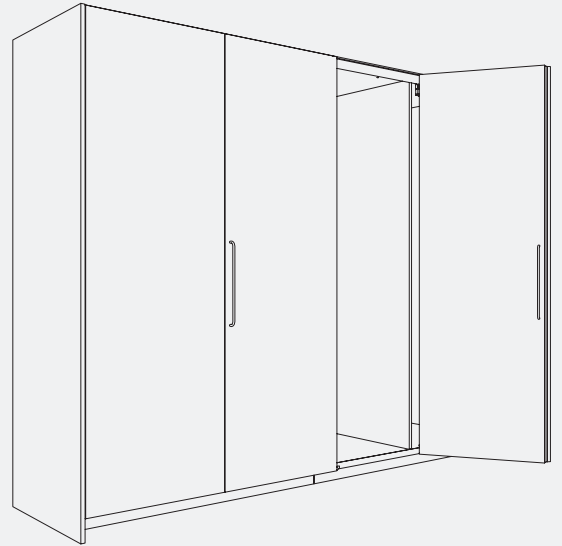
Fitting for pivoting, folding, and lateral sliding in of wooden doors up to 25 kg per door. Enables multi-functional room design, paired with a flush-fitting design.

Product highlights

- Comfort** The entire furniture front can be folded and slid in easily with one hand
- Aesthetics** Supports trends in modern interior design towards flush-fitting, floor-to-ceiling and accessible solutions

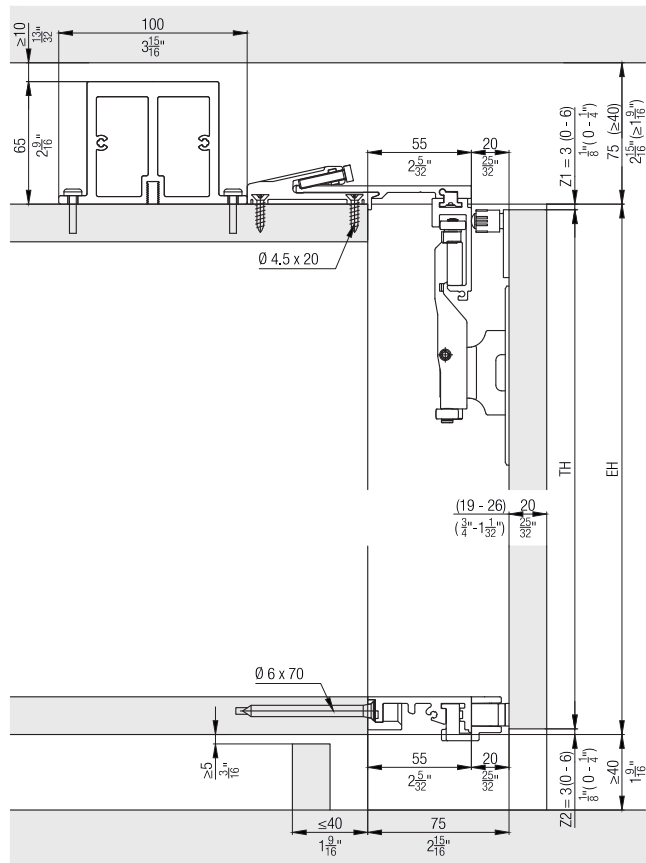
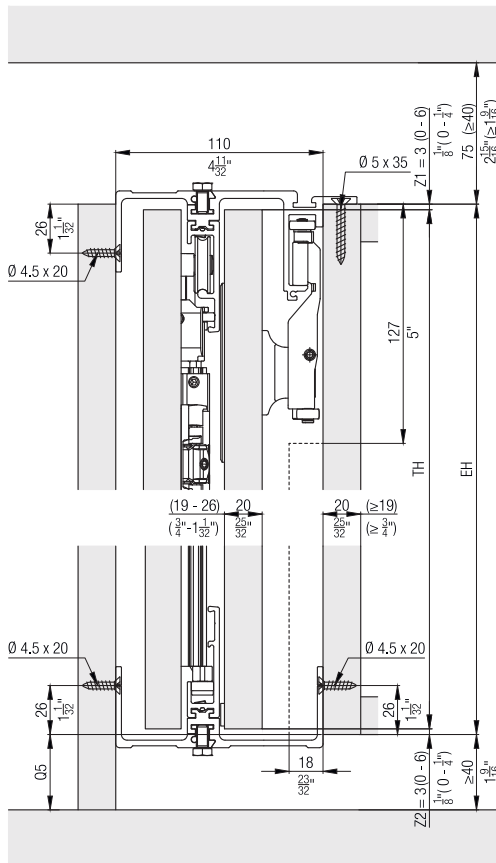
Technical specifications

- Max. 25 kg (55 lbs.)
- Max. 1250–2600 mm (4'1 7/32" to 8'6 3/8")
- Max. 300–700 mm (11 13/16" to 2'3 9/16")
- 19–26 mm (3/4" to 1 1/32")

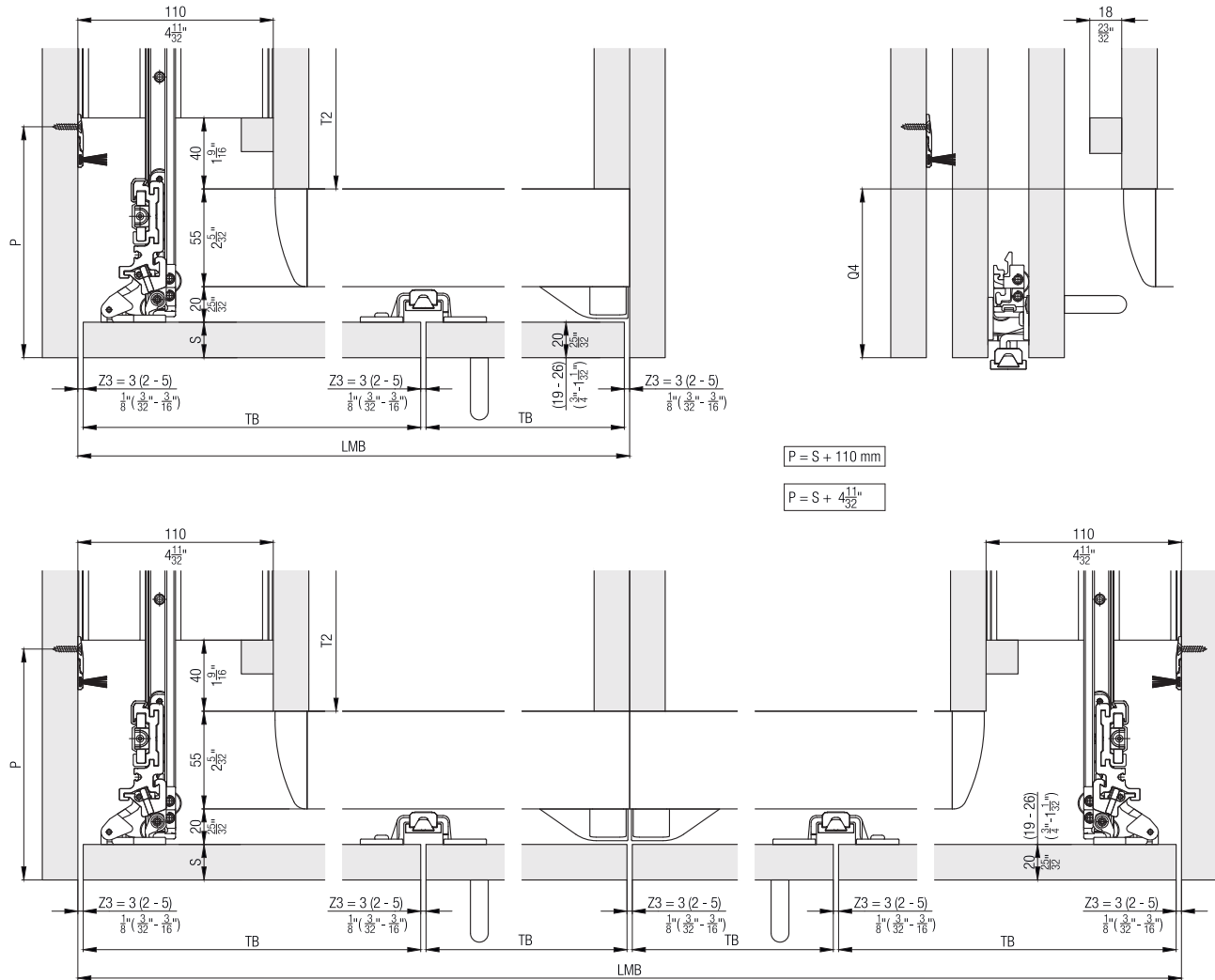


Installation examples

Front-hung cabinet fronts with base profile, 2 and 4 doors

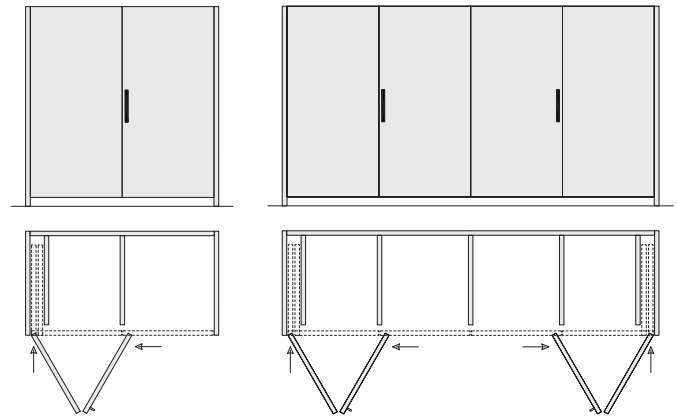


Systems with base profile, 2 and 4 doors



**Set for 1 pair of folding doors,
door height 1250 to 1850 mm (4'1 7/32" to 6' 27/32")**

	No.
Hawa Folding Concepta 25, left, aluminum, anodized, for 1 pair of folding doors	27636
Hawa Folding Concepta 25, right, aluminum, anodized, for 1 pair of folding doors	27637
Hawa Folding Concepta 25, left, aluminum, black anodized, for 1 pair of folding doors	27640
Hawa Folding Concepta 25, right, aluminum, black anodized, for 1 pair of folding doors	27641






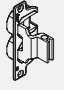
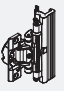
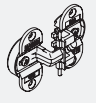

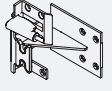


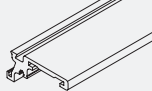
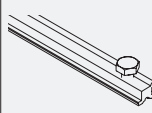
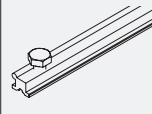
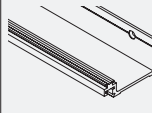
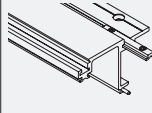
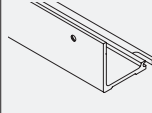
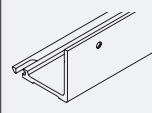
Set consisting of:					No.
	27636	27637	27640	27641	
 Scissor action, complete, 900 mm (2'11 7/16"), steel, zinc-plated	1	1	1	1	24087
 Two-wheeled running gear, height-adjustable	1	1	1	1	24686
 Running gear for folding door, 1-wheeled	1	1	1	1	24054
 Concealed press-fit cup, steel, dull nickel finish	1	1	1	1	23409
 Concealed hinge, with damper, steel, galvanized, 3 piece-set	1	1	1	1	27654
 Concealed centre hinge, steel, dull nickel finish, 3 pieces	1	1	1	1	24088
 Set of screws for concealed hinges, PH 4x20 mm (25/32")	1	1	1	1	25936
 Rear scissor bearing, left, steel, zinc-plated	1		1		24117
 Rear scissor guide, aluminum, anodized	1	1	1	1	25600
 Front scissor guide, aluminum, anodized	1	1	1	1	25592
 Upright, 1800 mm (5'10 7/8"), aluminum, anodized	1	1	1	1	22055

Table continued from previous column

	Connector connecting profile, bottom left/top right, 500 mm (1'7 11/16"), aluminum, anodized	1	1	1	1	24170
	Connector connecting profile, bottom right/top left, 500 mm (1'7 11/16"), aluminum, anodized	1	1	1	1	24171
	Interior connector, bottom left, 645 mm (2'1 13/32"), aluminum, anodized	1		1		24021
	Interior connector, top left, 645 mm (2'1 13/32"), aluminum, anodized	1		1		24107
	Exterior connector, bottom left/top right, 645 mm (2'1 13/32"), aluminum, anodized	1	1	1	1	24027
	Exterior connector, bottom right/top left, 645 mm (2'1 13/32"), aluminum, anodized	1	1	1	1	24028

Continued table on next page

Continued table on next column

Table continued from previous page

	Running track, left, 748 mm (2'5 7/16"), aluminum, anodized	1	1			24744
	Bottom guide channel, left, 748 mm (2'5 7/16"), aluminum, anodized	1	1			24746
	Running track, with left-hand curve piece, aluminum, anodized	1				24070
	Adapter for running track, plastic, anthracite-grey, 4 pieces	1	1	1	1	23645
	Brush guide, plastic, black, set of 3 pieces	1	1	1	1	25815
	Covering screen for door clearance, 1870 mm (6'1 5/8"), aluminum, anodized	1	1			23540
	Soft closing system for end position, with cover caps, plastic, black	1	1	1	1	25887
	Pivot door damper, plastic, anthracite-grey	1	1	1	1	24063
	Upright guide, rattle proof, with plastic rollers	1	1	1	1	25656
	Stop cover cap, Hawa Folding Concepta, depth adjustable, top left/bottom right	1	1	1	1	27659
	Stop cover cap, Hawa Folding Concepta, depth adjustable, top right/bottom left	1	1	1	1	27660
	Cover plates, stainless steel, 1 pair	1	1			24739
	Stop bumper adjustable, plastic, anthracite-grey	1	1	1	1	23562

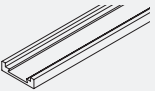

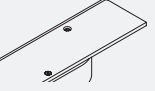
Continued table on next column

Table continued from previous column

	Fixing parts for covering screen for door clearance, of 3 pieces	1	1	1	1	23990
	Screw set, 4.5x20 mm, 40 pieces	1	1	1	1	24032
	Screw set, 5x35 mm, 4 pieces	1	1	1	1	24111
	Allen key, with handle, 3 mm (1/8")	1	1	1	1	13164
	Rear scissor bearing, right, galvanized steel		1		1	24097
	Interior connector, bottom right, 645 mm (2'1 13/32"), aluminum, anodized		1		1	24022
	Interior connector, top right, 645 mm (2'1 13/32"), aluminum, anodized		1		1	24108
	Running track, right, 748 mm (2'5 7/16"), aluminium, anodized		1		1	24745
	Bottom guide channel, right, 748 mm (2'5 7/16"), aluminium, anodized		1		1	24747
	Running track, with right-hand curve piece, aluminium, anodized		1			24071
	Running track, with left-hand curve piece, 1420 mm (4'7 29/32"), aluminum, black anodized			1		25484

Continued table on next page






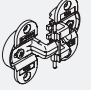
Table continued from previous page

	Covering screen for door clearance, 1870 mm (6'1 5/8"), aluminum, black anodized				1	1	25567
	Cover plates, stainless steel, black, 1 pair				1	1	25865
	Running track, with right-hand curve piece, 1420 mm (4'7 29/32"), aluminum, black anodized					1	25485

Set for 1 pair of folding doors, door height 1851 to 2600 mm (6' 7/8" to 8'6 3/8")


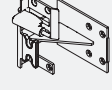


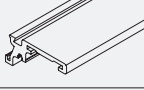
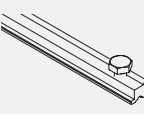
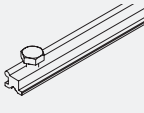
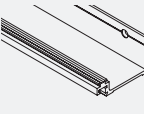
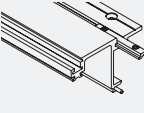
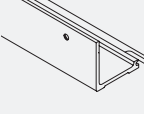
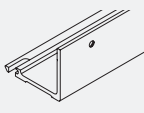
	No.
Hawa Folding Concepta 25, left, aluminum, anodized, for 1 pair of folding doors	27638
Hawa Folding Concepta 25, right, aluminum, anodized, for 1 pair of folding doors	27639
Hawa Folding Concepta 25, left, aluminum, black anodized, for 1 pair of folding doors	27642
Hawa Folding Concepta 25, right, aluminum, black anodized, for 1 pair of folding doors	27643

Set consisting of:

		27638	27639	27642	27643	No.
	Scissor action complete, 1500 mm (4'11 1/16"), steel, galvanized	1	1	1	1	22594
	Two-wheeled running gear, height-adjustable	1	1	1	1	24686
	Running gear for folding door, 1-wheeled	1	1	1	1	24054
	Concealed press-fit cup, steel, dull nickel finish	1	1	1	1	23409
	Concealed hinge, with damper, steel, galvanized, 4 piece-set	1	1	1	1	27655
	Centre concealed hinge, dull nickel finish, set of 4 pieces	1	1	1	1	24218

Continued table on next column

Table continued from previous column

	Set of screws for concealed hinges, PH 4x20 mm (25/32")	1	1	1	1	25936
	Rear scissor bearing, left, steel, zinc-plated	1			1	24117
	Rear scissor guide, aluminum, anodized	1	1	1	1	25600
	Front scissor guide, aluminum, anodized	1	1	1	1	25592
	Upright, 2500 mm (8'2 7/16"), aluminum, anodized	1	1	1	1	22056
	Connector connecting profile, bottom left/top right, 500 mm (1'7 11/16"), aluminum, anodized	1	1	1	1	24170
	Connector connecting profile, bottom right/top left, 500 mm (1'7 11/16"), aluminum, anodized	1	1	1	1	24171
	Interior connector, bottom left, 645 mm (2'1 13/32"), aluminum, anodized	1			1	24021
	Interior connector, top left, 645 mm (2'1 13/32"), aluminum, anodized	1			1	24107
	Exterior connector, bottom left/top right, 645 mm (2'1 13/32"), aluminum, anodized	1	1	1	1	24027
	Exterior connector, bottom right/top left, 645 mm (2'1 13/32"), aluminum, anodized	1	1	1	1	24028

Continued table on next page

Table continued from previous page

	Running track, left, 748 mm (2'5 7/16"), aluminum, anodized	1	1			24744
	Bottom guide channel, left, 748 mm (2'5 7/16"), aluminum, anodized	1	1			24746
	Running track, with left-hand curve piece, aluminum, anodized	1				24070
	Adapter for running track, plastic, anthracite-grey, 4 pieces	1	1	1	1	23645
	Brush guide, plastic, black, set of 3 pieces	1	1	1	1	25815
	Covering screen for door clearance, aluminum, anodized	1	1			23541
	Soft closing system for end position, with cover caps, plastic, black	1	1	1	1	25887
	Pivot door damper, plastic, anthracite-grey	1	1	1	1	24063
	Upright guide, rattle proof, with plastic rollers	1	1	1	1	25656
	Stop cover cap, Hawa Folding Concepta, depth adjustable, top left/bottom right	1	1	1	1	27659
	Stop cover cap, Hawa Folding Concepta, depth adjustable, top right/bottom left	1	1	1	1	27660
	Cover plates, stainless steel, 1 pair	1	1			24739
	Stop bumper adjustable, plastic, anthracite-grey	1	1	1	1	23562


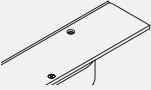
Continued table on next column

Table continued from previous column

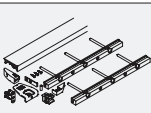
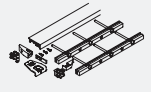
	Fixing parts for covering screen for door clearance, set of 4 pieces	1	1	1	1	24306
	Screw set, 4.5x20 mm, 40 pieces	1	1	1	1	24032
	Screw set, 5x35 mm, 4 pieces	1	1	1	1	24111
	Allen key, with handle, 3 mm (1/8")	1	1	1	1	13164
	Rear scissor bearing, right, galvanized steel		1		1	24097
	Interior connector, bottom right, 645 mm (2'1 13/32"), aluminum, anodized			1	1	24022
	Interior connector, top right, 645 mm (2'1 13/32"), aluminum, anodized			1	1	24108
	Running track, right, 748 mm (2'5 7/16"), aluminium, anodized			1	1	24745
	Bottom guide channel, right, 748 mm (2'5 7/16"), aluminium, anodized			1	1	24747
	Running track, with right-hand curve piece, aluminum, anodized			1		24071
	Running track, with left-hand curve piece, 1420 mm (4'7 29/32"), aluminum, black anodized				1	25484
	Covering screen for door clearance, 2620 mm (8'7 5/32"), aluminum, black anodized				1	25504

Continued table on next page

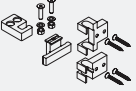
Table continued from previous page

	Cover plates, stainless steel, black, 1 pair			1	1	25865
	Running track, with right-hand curve piece, 1420 mm (4'7 29/32"), aluminum, black anodized				1	25485

Base profiles

		mm (inch)	No.
	Base profile, aluminium, anodized	1,300 (4' 3 3/16")	24004
	Base profile, aluminium, black anodized	1,300 (4' 3 3/16")	25479

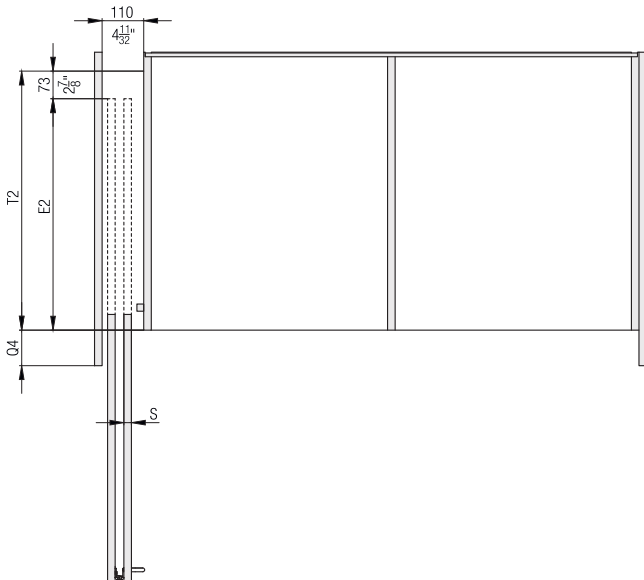
Closing piston for espagnolette lock TERZA

		No.
	Lock catch and bracket for espagnolette lock, 2 pieces for 1 pair of folding doors	24005

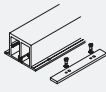
Fitting depth calculations

$T2 = TB + 73 \text{ mm} - Q4$	$T2 = TB + 2\frac{7}{8}'' - Q4$
$E2 = T2 - 73 \text{ mm}$	$E2 = T2 - 2\frac{7}{8}''$
$Q4 = 75 \text{ mm} + S$	$Q4 = 2\frac{15}{16}'' + S$

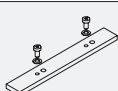

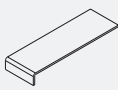
T2	TH	E2	T2	TH	E2
≤ 680 mm	1250 - 1850 mm	≤ 607 mm	≤ 2' 25 ⁵ / ₃₂ "	4' 1 ⁷ / ₃₂ " - 6' 2 ⁷ / ₃₂ "	≤ 1' 11 ²⁹ / ₃₂ "
≤ 680 mm	1851 - 2600 mm	≤ 607 mm	≤ 2' 25 ⁵ / ₃₂ "	6' 7 ⁷ / ₈ " - 8' 6 ³ / ₈ "	≤ 1' 11 ²⁹ / ₃₂ "

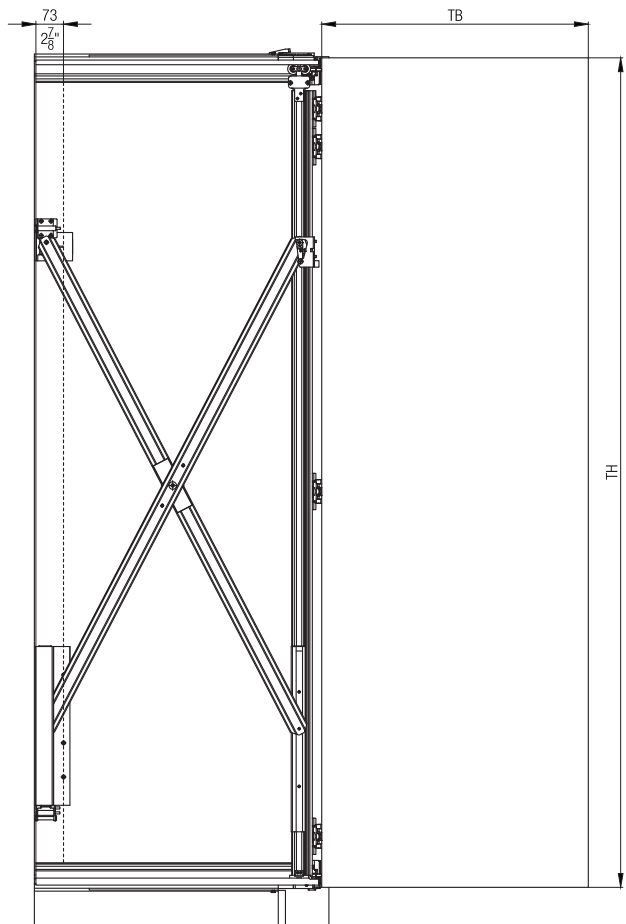


Reinforcement profiles

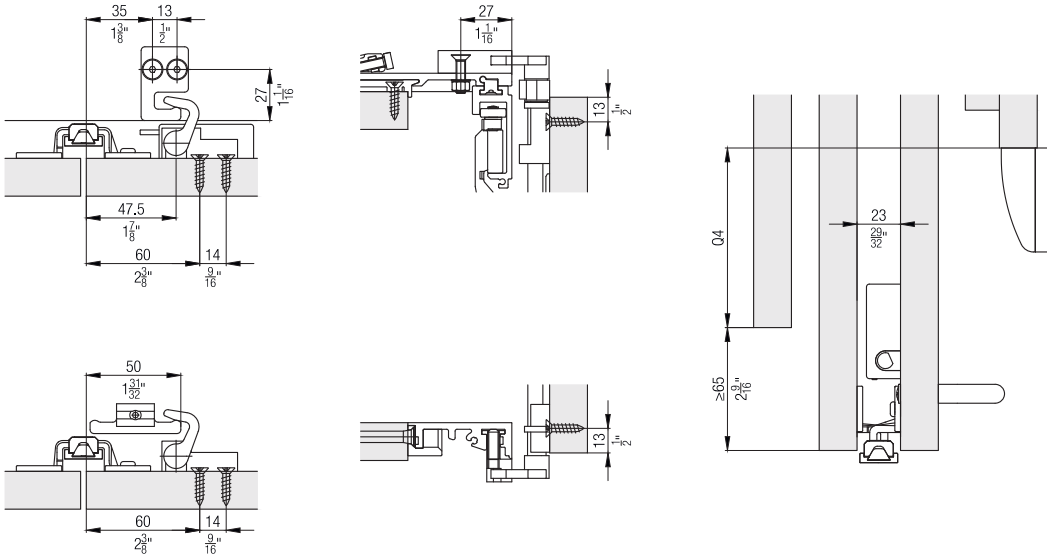
		mm (inch)	No.
	Reinforcement profile, with running track connection plate, aluminium, anodized, pre-drilled	2,600 (8' 6 3/8")	24322
	Reinforcement profile, aluminium, anodized, pre-drilled	cut to size	24281

Accessories

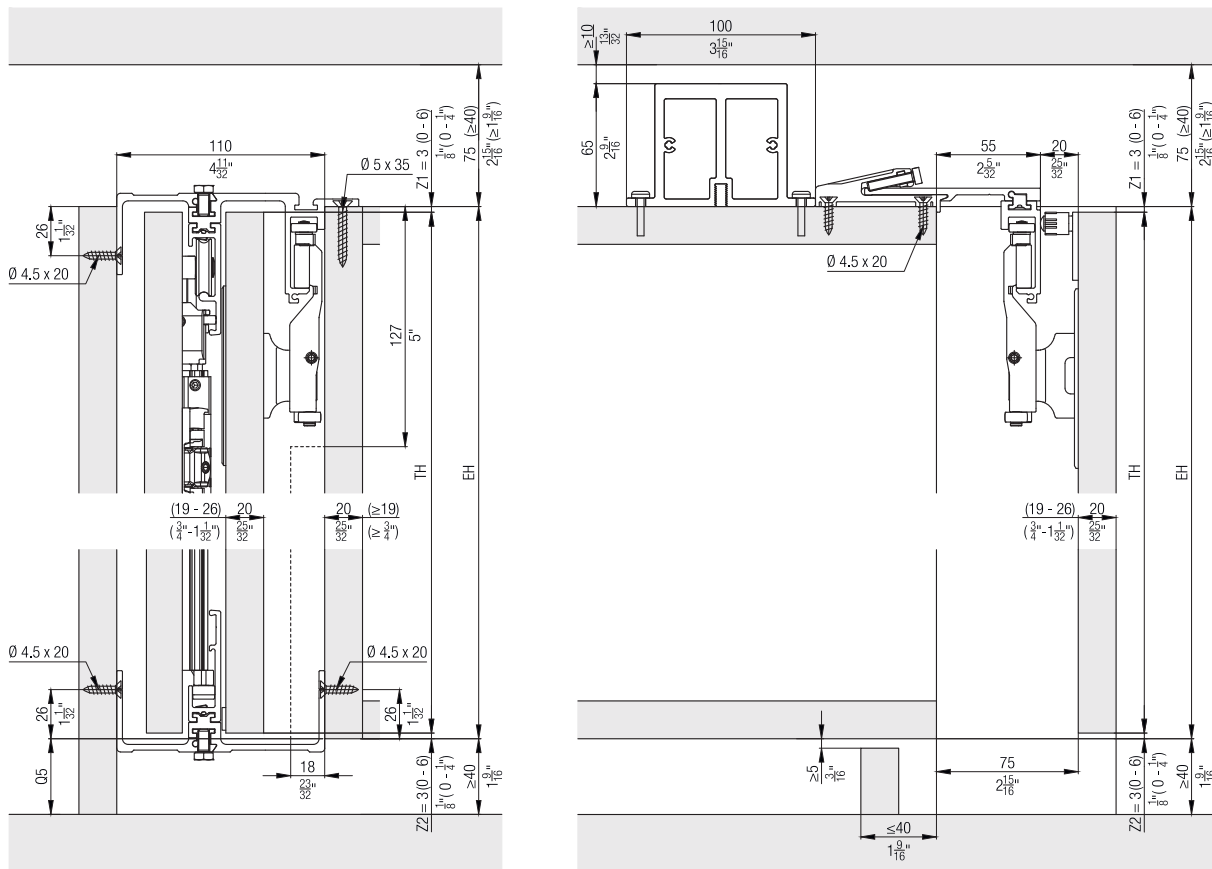
		No.
	Running track connection plate, aluminium, anodized, pre-drilled	24321
	Magnetic centering part, with including drilling jig, aluminium, anodized	24006
	Center joint cover for running track, aluminium, anodized	27781
	Center joint cover for running track, aluminium, black anodized	27782



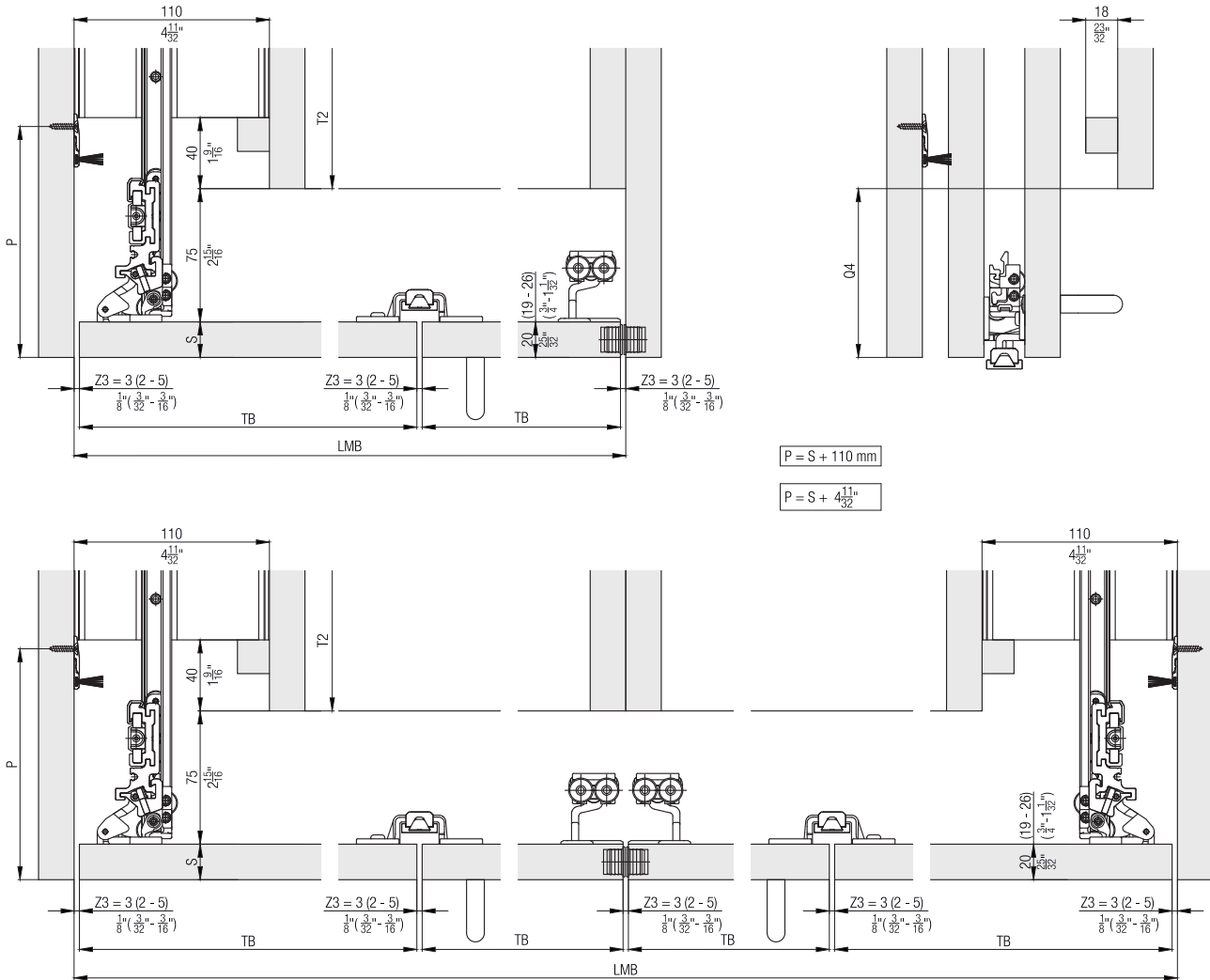
Espagnolette lock installation details



Further installation examples
Front-hung cabinet fronts without base profile, 2 and 4 doors

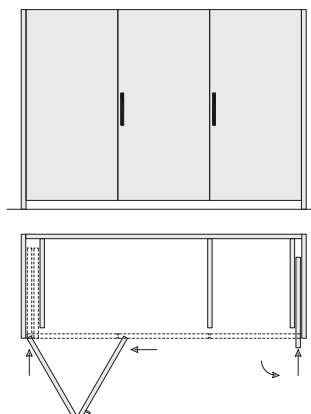


Systems without base profile, 2 and 4 doors



Set for 3-door systems in combination with Hawa Concepta, door height 1851 to 2600 mm (6' 7/8" to 8'6 3/8")

	No.
Hawa Folding Concepta 25, left, aluminum, anodized, for 3 doors systems	27644
Hawa Folding Concepta 25, right, aluminum, anodized, for 3 doors systems	27645
Hawa Folding Concepta 25, left, aluminum, black anodized, for 3 doors systems	27646
Hawa Folding Concepta 25, right, aluminum, black anodized, for 3 doors systems	27647



Set consisting of:		27644	27645	27646	27647	No.
	Scissor action complete, 1500 mm (4'11 1/16"), steel, galvanized	1	1	1	1	22594
	Two-wheeled running gear, height-adjustable	1	1	1	1	24686
	Running gear for folding door, 1-wheeled	1	1	1	1	24054
	Concealed press-fit cup, steel, dull nickel finish	1	1	1	1	23409
	Concealed hinge, with damper, steel, galvanized, 4 piece-set	1	1	1	1	27655
	Centre concealed hinge, dull nickel finish, set of 4 pieces	1	1	1	1	24218
	Set of screws for concealed hinges, PH 4x20 mm (25/32")	1	1	1	1	25936
	Rear scissor bearing, left, steel, zinc-plated	1		1		24117
	Rear scissor guide, aluminum, anodized	1	1	1	1	25600
	Front scissor guide, aluminum, anodized	1	1	1	1	25592
	Upright, 2500 mm (8'2 7/16"), aluminum, anodized	1	1	1	1	22056

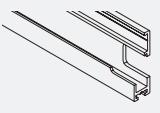
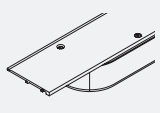
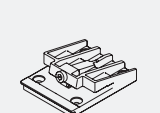

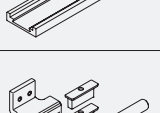
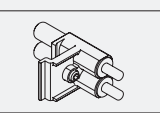
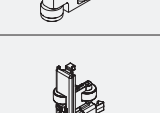
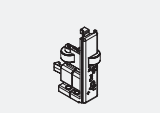
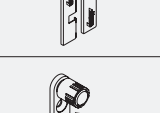
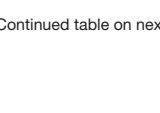
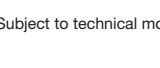

Continued table on next column

Table continued from previous column

	Connector connecting profile, bottom left/top right, 500 mm (1'7 11/16"), aluminum, anodized	1	1	1	1	24170
	Connector connecting profile, bottom right/top left, 500 mm (1'7 11/16"), aluminum, anodized	1	1	1	1	24171
	Interior connector, bottom left, 645 mm (2'1 13/32"), aluminum, anodized	1		1		24021
	Interior connector, top left, 645 mm (2'1 13/32"), aluminum, anodized	1		1		24107
	Exterior connector, bottom left/top right, 645 mm (2'1 13/32"), aluminum, anodized	1	1	1	1	24027
	Exterior connector, bottom right/top left, 645 mm (2'1 13/32"), aluminum, anodized	1	1	1	1	24028
	Running track, left, 748 mm (2'5 7/16"), aluminum, anodized	1		1		24744

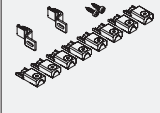

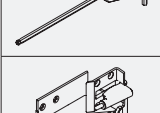
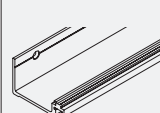
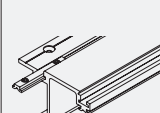
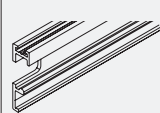
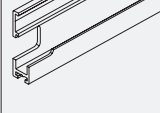
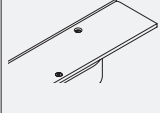
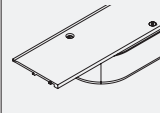
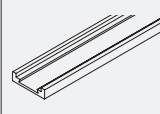

Continued table on next page
Subject to technical modifications. Metric specifications are exact. Inches are approximate.

Table continued from previous page

	Bottom guide channel, left, 748 mm (2'5 7/16"), aluminium, anodized	1	1			24746
	Running track, with left-hand curve piece, 2120 mm (6'11 15/32") aluminium, anodized	1				24913
	Adapter for running track, plastic, anthracite, 6 pieces, for cabinet width 1421-2120 mm (4'7 15/16"-6'11 15/32")	1	1	1	1	24870
	Brush guide, plastic, black, set of 3 pieces	1	1	1	1	25815
	Covering screen for door clearance, aluminum, anodized	1	1			23541
	Soft closing system for end position, with cover caps, plastic, black	1	1	1	1	25887
	Pivot door damper, plastic, anthracite-grey	1	1	1	1	24063
	Upright guide, rattle proof, with plastic rollers	1	1	1	1	25656
	Stop cover cap, Hawa Folding Concepta, depth adjustable, top left/bottom right	1	1	1	1	27659
	Stop cover cap, Hawa Folding Concepta, depth adjustable, top right/bottom left	1	1	1	1	27660
	Cover plates, stainless steel, 1 pair	1	1			24739
	Stop bumper adjustable, plastic, anthracite-grey	2	2	2	2	23562


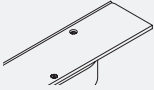
Continued table on next column

Table continued from previous column

	Fixing parts for covering screen for door clearance, set of 4 pieces	1	1	1	1	24306
	Screw set, 4.5x20 mm, 40 pieces	1	1	1	1	24032
	Screw set, 5x35 mm, 4 pieces	1	1	1	1	24111
	Allen key, with handle, 3 mm (1/8")	1	1	1	1	13164
	Rear scissor bearing, right, galvanized steel		1		1	24097
	Interior connector, bottom right, 645 mm (2'1 13/32"), aluminum, anodized		1		1	24022
	Interior connector, top right, 645 mm (2'1 13/32"), aluminum, anodized		1		1	24108
	Running track, right, 748 mm (2'5 7/16"), aluminium, anodized		1		1	24745
	Bottom guide channel, right, 748 mm (2'5 7/16"), aluminium, anodized		1		1	24747
	Running track, with right-hand curve piece, 2120 mm (6'11 15/32") aluminium, anodized		1			24914
	Running track, with left-hand curve piece, 2120 mm (6'11 15/32"), aluminium, black anodized			1		25486
	Covering screen for door clearance, 2620 mm (8'7 5/32"), aluminum, black anodized			1	1	25504

Continued table on next page

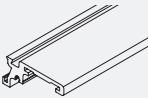



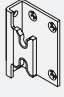
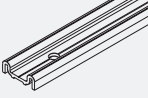

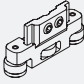
Table continued from previous page

	Cover plates, stainless steel, black, 1 pair			2	2	25865
	Running track, with right-hand curve piece, 2120 mm (6'11 15/32"), aluminum, black anodized				1	25487

For 3-door cabinets, 1 Hawa Concepta 30, 40 or 50 set should also be ordered.


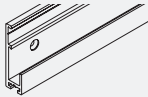
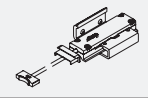
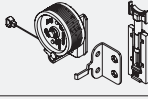


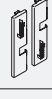
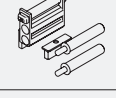



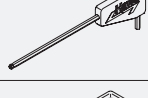
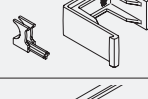
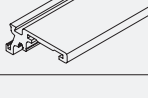

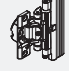
	No.
Hawa Concepta 30, for 1 door	27649
Hawa Concepta 40, for 1 door	27650
Hawa Concepta 50, for 1 door	27651

Set consisting of:

		27649	27650	27651	No.
	Upright, 2300 mm (7'6 9/16"), alu plain, anodized	1			24699
	Scissor action, complete, steel, galvanized	1			22593
	Front scissor guide, aluminum, anodized	1	1	1	25592
	Rear scissor guide, aluminum, anodized	1	1	1	25596
	Rear scissor bearing, 55 mm (2 5/32"), steel, galvanized	1	1	1	25855
	Concealed hinge, with damper, steel, galvanized, 3 piece-set	1			27654
	Spacer profile, 860 mm (2'9 27/32"), pre-drilled, plastic, black	1	1	1	22861
	Brush guide, plastic, black, set of 3 pieces	1	1	1	25815
	Upright guide, rattle proof, with plastic rollers	2	1	1	25656

Continued table on next column



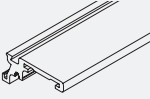
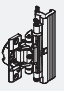

Table continued from previous column

	Torsion plate	1			27704
	Bottom guide channel, 896 mm (2'11 9/32"), aluminium, anodized, pre-drilled	2	1	1	24535
	Stop damper, with retaining bracket	1	1	1	24660
	Door retractor 30/40, with damper, plastic, black	1	1		25813
	Stop cover cap Hawa Concepta, depth adjustable, top left/bottom right	1	1	1	27657
	Stop cover cap Hawa Concepta, depth adjustable, top right/bottom left	1	1	1	27658
	Cover plates, stainless steel, 1 pair	1	1	1	24739
	Soft closing system for end position, with cover caps, plastic, black	1	1	1	25862
	Set of screws for concealed hinges, 4x16 mm (5/8"), set of 10 pieces	1	1	1	25935
	Screw set, 4,5x20 mm (25/32"), set of 22 pieces	1	1	1	22451
	Set of screws for spacer profile, PH 4x16 mm (5/8"), set of 7 pieces	1	1	1	25562
	Allen key, with handle, 3 mm (1/8")	1	1	1	13164
	Installation aid, plastic, red	1	1	1	25816
	Upright, 2500 mm (8'2 7/16"), aluminum, anodized			1	22056
	Scissor action complete, 1500 mm (4'11 1/16"), steel, galvanized			1	22594
	Concealed hinge, with damper, steel, galvanized, 4 piece-set			1	27655

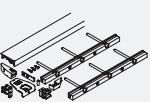
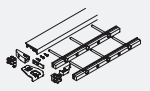
Continued table on next column

Subject to technical modifications. Metric specifications are exact. Inches are approximate.

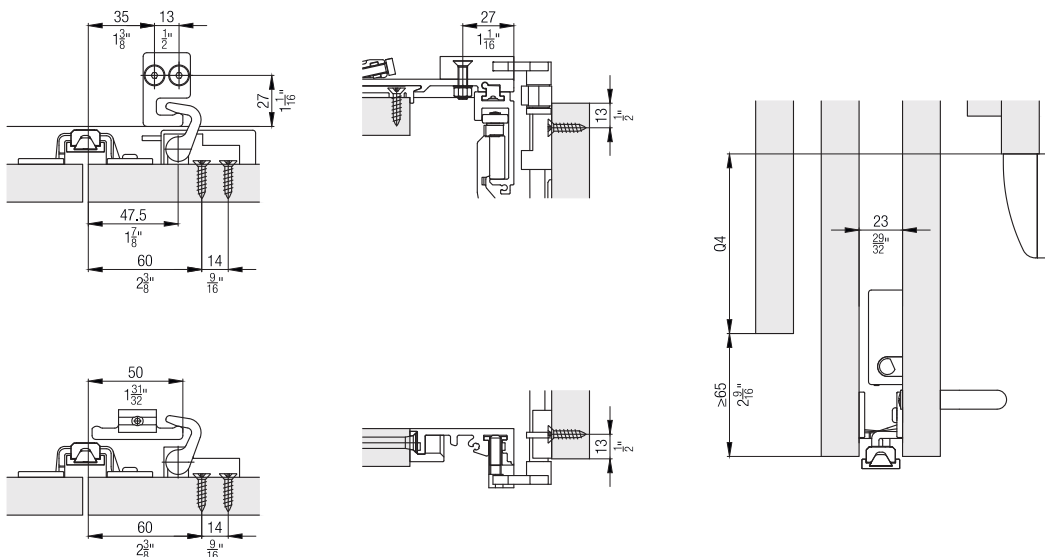
Table continued from previous page

	Running gear, ball bearing, with torsion plate, height adjustable, aluminum, nickel matt	1	1	24955
	Running track, 896 mm (2'11 9/32"), aluminium, anodized, pre-drilled	1	1	24528
	Upright, 2760 mm (9' 21/32"), aluminium, anodized		1	22057
	Concealed hinge, with damper, steel, galvanized, 5 piece-set		1	27656
	Door retractor 25/50, with damper, plastic, black		1	25814

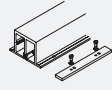
Base profiles

		mm (inch)	No.
	Base profile, aluminium, anodized	2,000 (6' 6 3/4 ")	25481
	Base profile, alu black anodized	2,000 (6' 6 3/4 ")	25480

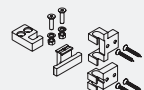
Espagnolette lock installation details



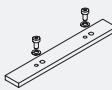

Reinforcement profiles

		mm (inch)	No.
	Reinforcement profile, with running track connection plate, aluminium, anodized, pre-drilled	2,600 (8' 6 3/8 ")	24322
	Reinforcement profile, aluminium, anodized, pre-drilled	cut to size	24281

Closing piston for espagnolette lock TERZA

		No.
	Lock catch and bracket for espagnolette lock, 2 pieces for 1 pair of folding doors	24005

Accessories

		No.
	Running track connection plate, aluminium, anodized, pre-drilled	24321
	Magnetic centering part, with including drilling jig, aluminium, anodized	24006

Fitting depth calculations

Hawa Folding Concepta

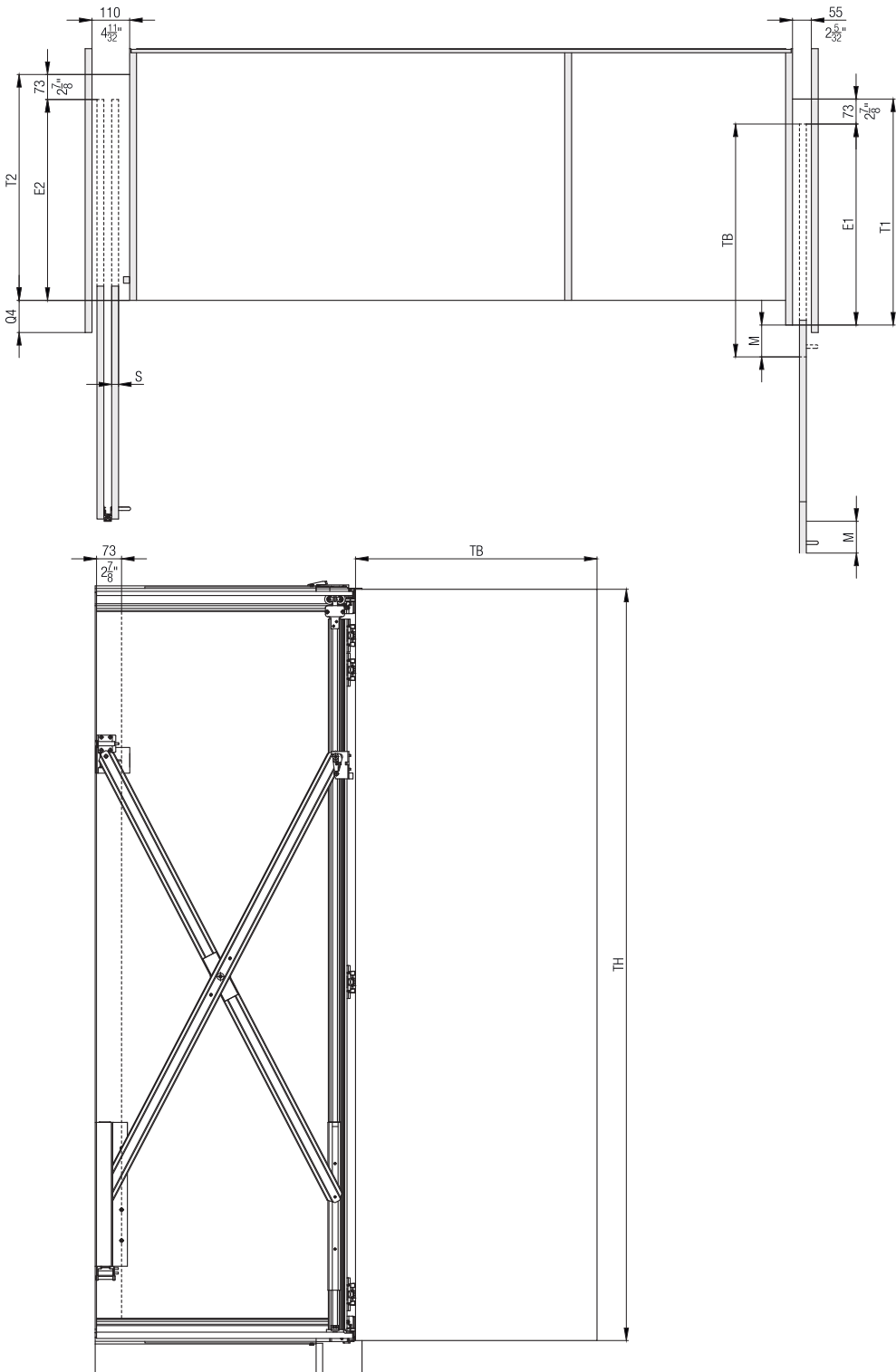
$T2 = TB + 73 \text{ mm} - Q4$	T2	TH	E2
$E2 = T2 - 73 \text{ mm}$	$\leq 680 \text{ mm}$	1851 - 2600 mm	$\leq 607 \text{ mm}$
$Q4 = 75 \text{ mm} + S$			

$T2 = TB + 2\frac{7}{8}'' - Q4$	T2	TH	E2
$E2 = T2 - 2\frac{7}{8}''$	$\leq 2' 2\frac{25}{32}''$	6' $\frac{7}{8}''$ - 8' $\frac{63}{8}''$	$\leq 1' 11\frac{29}{32}''$
$Q4 = 2\frac{15}{16}'' + S$			

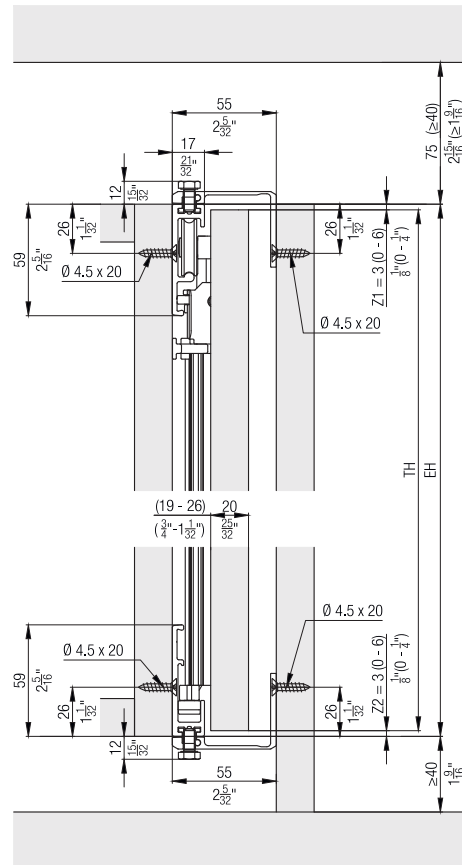
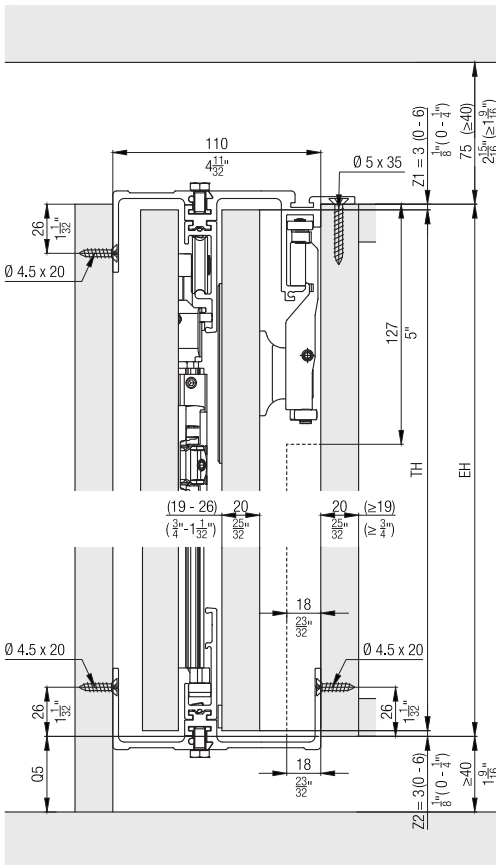
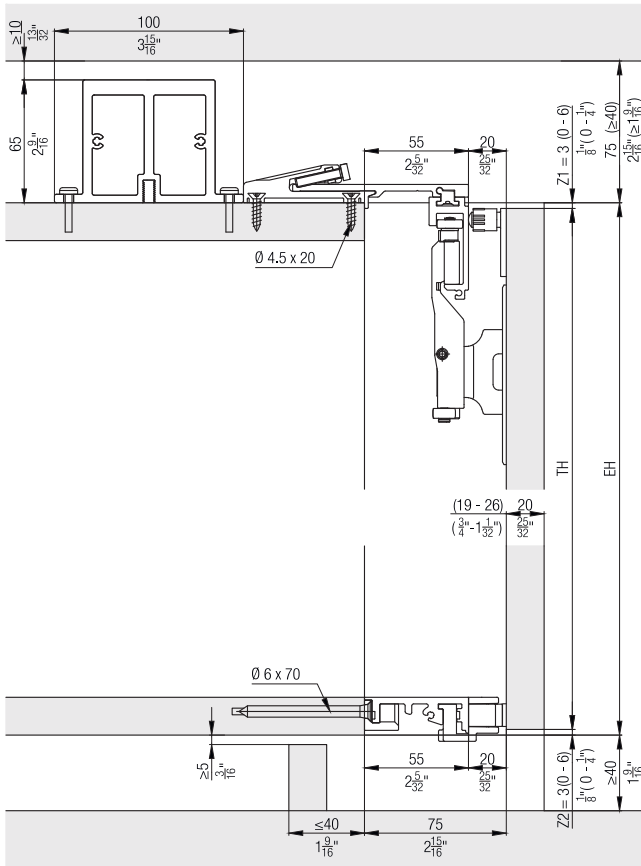
Hawa Concepta

$T1 = TB - M + 73 \text{ mm}$	T1	TH	E1
$E1 = T1 - 73 \text{ mm}$	Hawa Concepta 30 $\leq 900 \text{ mm}$	1851 - 2300 mm	300 - 827 mm
	Hawa Concepta 40 $\leq 900 \text{ mm}$	1851 - 2500 mm	300 - 827 mm
	Hawa Concepta 50 $\leq 900 \text{ mm}$	2301 - 2850 mm	300 - 827 mm

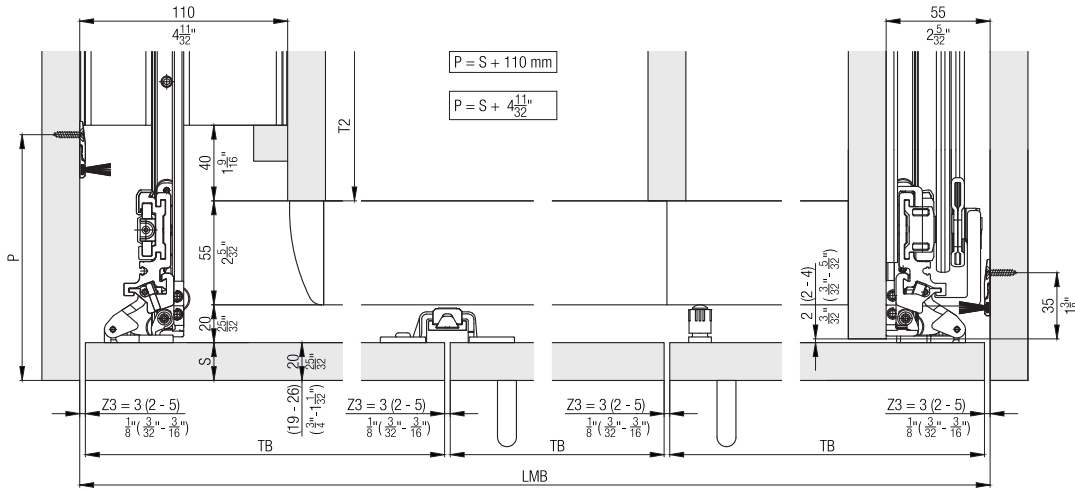
$T1 = TB - M + 2\frac{7}{8}''$	T1	TH	E1
$E1 = T1 - 2\frac{7}{8}''$	Hawa Concepta 30 $\leq 2' 11\frac{7}{16}''$	6' $0\frac{7}{8}''$ - 7' $6\frac{9}{16}''$	11 $\frac{13}{16}''$ - 2' $0\frac{9}{16}''$
	Hawa Concepta 40 $\leq 2' 11\frac{7}{16}''$	6' $0\frac{7}{8}''$ - 8' $2\frac{7}{16}''$	11 $\frac{13}{16}''$ - 2' $8\frac{9}{16}''$
	Hawa Concepta 50 $\leq 2' 11\frac{7}{16}''$	7' $6\frac{19}{32}''$ - 9' $4\frac{7}{32}''$	11 $\frac{13}{16}''$ - 2' $8\frac{9}{16}''$



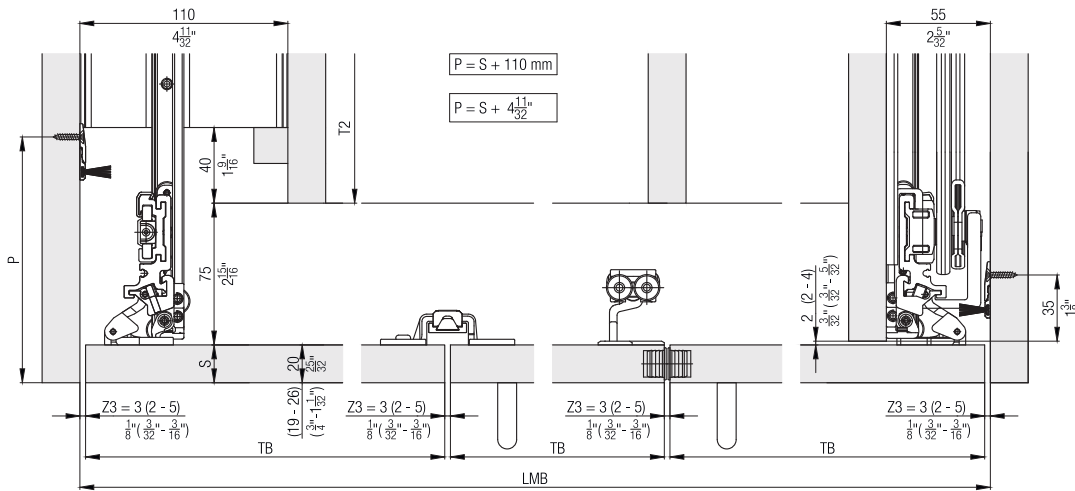
Further installation examples
 Front-hung cabinet fronts with base profile, 3 doors



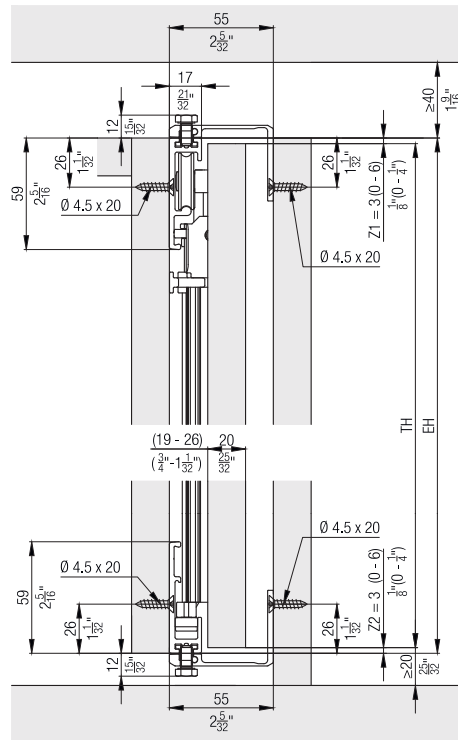
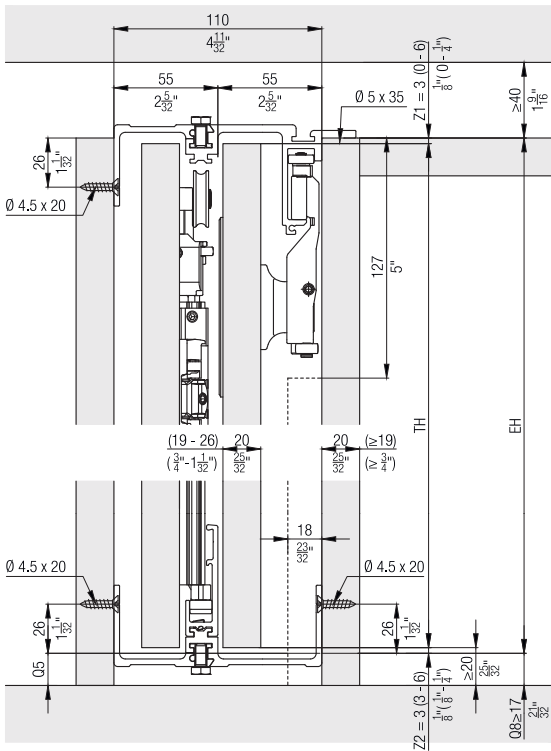
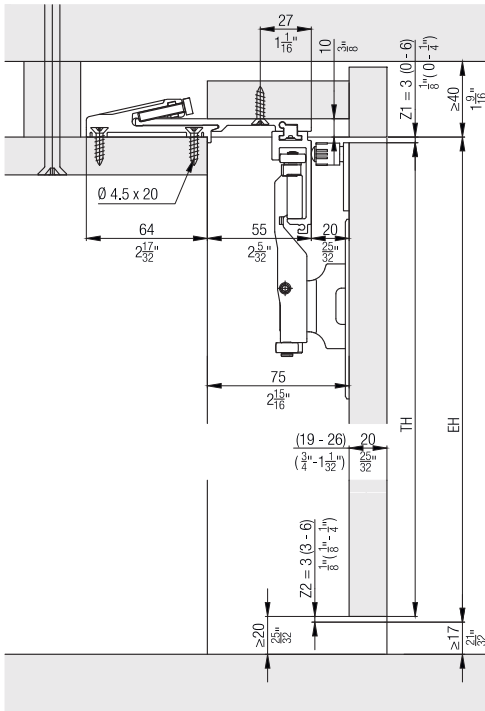
Systems with base profile, 3 doors



Systems without base profile, 3 doors



Room-high cabinet fronts without base profile, 3 doors



Accessories

– Straightening fitting from page 50

Planning/execution



Configure with just a few clicks on www.foldingconcepta.hawa.com

Further information about the product can be found on www.hawa.com.



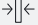
Accessories

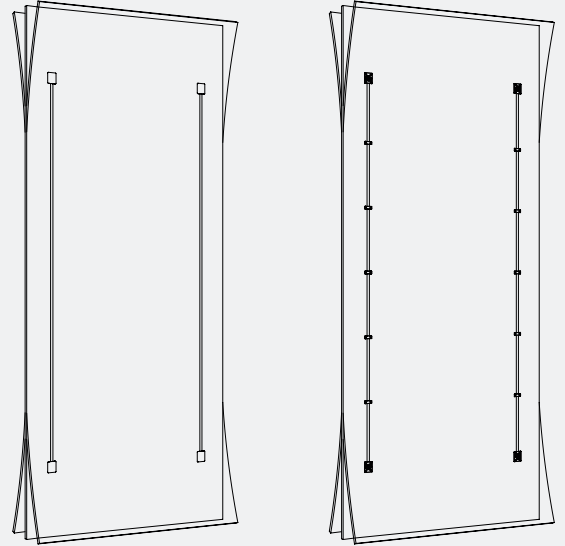
Straightening fitting for stabilizing 1215 to 2850 mm (3'11 27/32" to 9'4 7/32") high wooden doors (not suitable for hardwood)

Product highlights

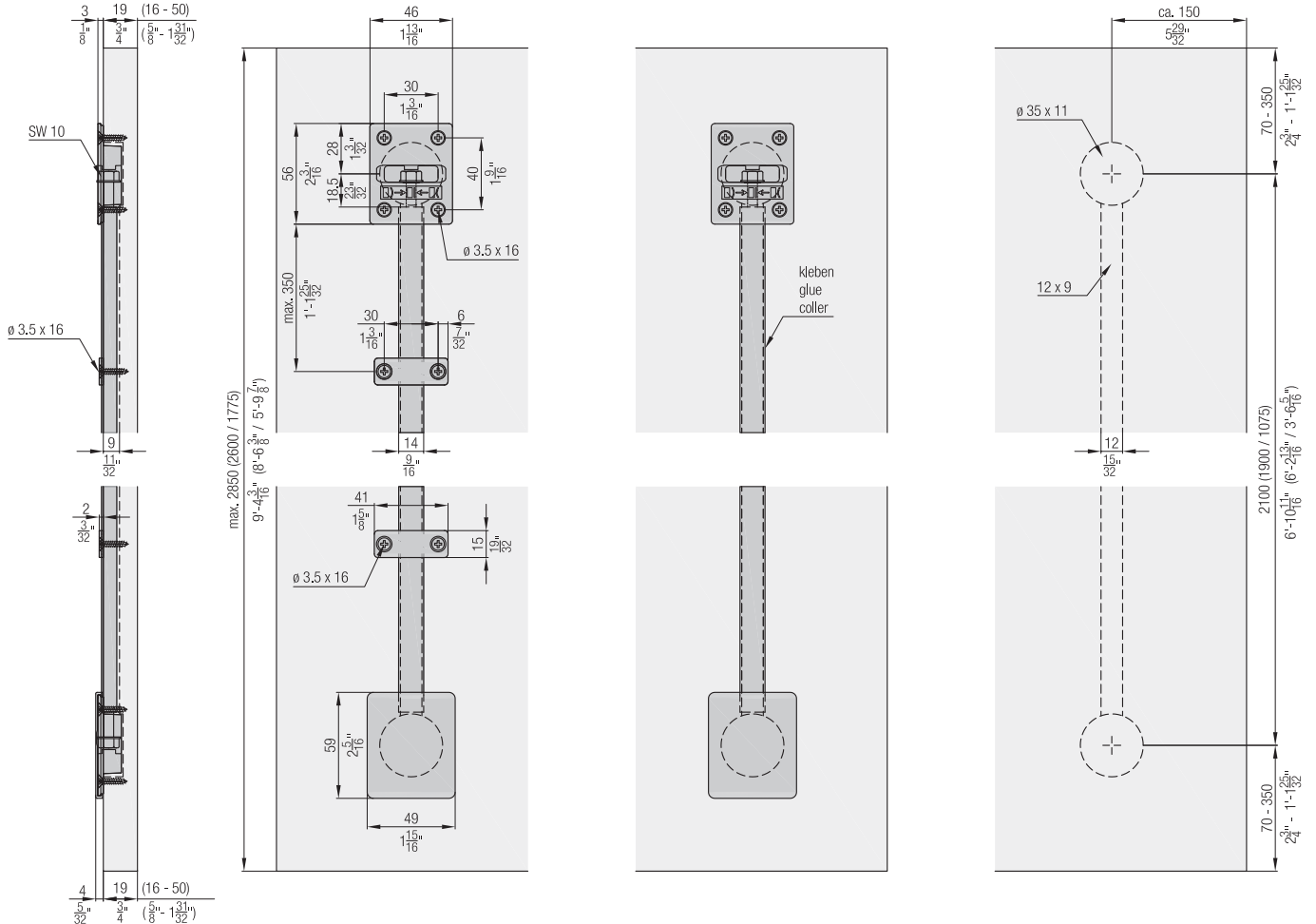
- 
Flexibility The right solution for every application thanks to selectable heights and three different finish colors
The tightening profile can be glued on or screwed on as required
- 
Comfort The stable structure holds the doors in position and remains silent during operation

Technical specifications

-  1215–2850 mm (3'11 27/32"–9'4 7/32")
-  300–1600 mm (11 13/16"–5'3")
-  16–50 mm (5/8"–1 31/32")










Installation examples

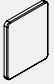
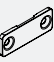


Aluminum

	Nr.
Straightening fitting for doors up to 2240–2850 mm (7'4 3/16"–9'4 7/32"), aluminum, anodized, can be shortened for doors 1215–2240 mm (3'11 27/32"–7'4 3/16")	056.3192.071
Straightening fitting for doors up to 2040–2600 mm (6'8 5/16"–8'6 3/8"), aluminum, can be shortened for doors 1775–2040 mm (5'9 7/8"–6'8 5/16")	056.3192.072
Straightening fitting for doors up to 1215–1775 mm (3'11 27/32"–5'9 7/8"), aluminum	056.3192.073

Set consisting of:		mm (inch)	056.3192.071	056.3192.072	056.3192.073	Nr.
	Armature element, zinc alloy		4			056.0199.001
	Bracket, plastic, black		10	10	10	056.2023.001
	Thread-cutting hexagon screw, M6x40 mm, steel, zinc-plated		4	4	4	056.0130.101
	Tightening profile, aluminum, anodized	2063 6'9 7/32"	2			056.0200.226
	Armature element, plastic, black			4	4	056.2024.001
	Tightening profile, aluminum	1863 6'1 11/32"		2		056.0200.186
	Tightening profile, aluminum	1038 3'4 7/8"			2	056.0200.103

Accessories

	Nr.
	056.0201.071
	056.0118.004

Ordering information






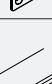

– Type and number of sets

Optional ordering information

– Number of cover caps
– Number of brackets

Aluminum, black anodized

	Nr.
Straightening fitting for doors up to 2240–2850 mm (7'4 3/16"–9'4 7/32"), aluminum, anodized, black	056.3192.074
Straightening fitting for doors up to 2040–2600 mm (6'8 5/16"–8'6 3/8"), aluminum, anodized, black, can be shortened for doors 1775–2040 mm (5'9 7/8"–6'8 5/16")	056.3192.075
Straightening fitting for doors up to 1215–1775 mm (3'11 27/32"–5'9 7/8"), aluminum, anodized, black	056.3192.076

Set consisting of:		mm (inch)	056.3192.074	056.3192.075	056.3192.076	Nr.
	Armature element, zinc alloy		4			056.0199.001
	Cover cap, plastic, black		4			056.0201.001
	Thread-cutting hexagon screw, M6x40 mm, steel, zinc-plated		4	4	4	056.0130.101
	Tightening profile, aluminum, anodized, black	2063 6'9 7/32"	2			056.0200.207
	Armature element, plastic, black			4	4	056.2024.001
	Tightening profile, aluminum, anodized, black	1863 6'1 11/32"		2		056.0200.187
	Tightening profile, aluminum, anodized, black	1038 3'4 7/8"			2	056.0200.104

Planning/execution

All straightening fittings can be shortened to the required dimension.

Installation instructions No. 788.2000.314 have to be used for planning and execution. Further information about the product can be found on www.hawa.com.

The right sliding solution on furniture for every need and every idea



On furniture

	Technical specifications					Design/installation							Recommended application		
Wood															
Sliding doors															
Hawa 220 Planfront	70	19-45	2600	400-1500					X		X		X	X	X
Hawa 220 Planfront 70	70	19-45	2600	400-1500					X		X		X	X	X
Hawa Clipo	15/16/26/36	10-25	2400	1200	X	X	X	X	X		X		X	X	X
Hawa Clipo 15 H IS	15	16-19	1400	1000		X			X				X	X	
Hawa Clipo 15 H MS	15	16-19	1400	1000			X						X	X	
Hawa Clipo 15 H FS	15	min. 19	1400	1000							X		X	X	
Hawa Clipo 16 H IS	16	16-19	1400	1000	X	X			X				X	X	X
Hawa Clipo 16 H MS	16	16-19	1400	1000	X		X						X	X	X
Hawa Clipo 16 H FS 4-point guidance	16	min. 16	1400	1000	X						X		X	X	X
Hawa Clipo 16 H IS/MS	16	16-19	1400	1000	X				X	X			X	X	X
Hawa Clipo 16 H IS/FS	16	16-19	1400	1000	X				X		X		X	X	X
Hawa Clipo 16 H FS 2 track	16	10/19	800/1400	1200	X			X					X	X	X
Hawa Clipo 16 HM IS	16	min. 19	1400	1000	X	X			X				X	X	X
Hawa Clipo 26/36 H IS	26/36	19-25	2200	1000	X	X			X				X	X	X
Hawa Clipo 26 H MS	26	19	2200	1000	X		X			X			X	X	X
Hawa Clipo 36 H MS	36	25	2400	1000	X		X			X			X	X	X
Hawa Clipo 36 HM IS	36	19-25	2400	1000	X	X			X				X	X	X
Hawa Combino	20/35/40/50/65/80	19-40	2800	1600	X	X	X	X	X	X	X		X	X	X
Hawa Combino 20/35 H IS	20/35	19	2200	1200	X	X			X				X	X	X
Hawa Combino 20/35 H MS	20/35	19	2200	1200	X		X						X	X	X
Hawa Combino 20/35 H FS	20/35	19	2200	1200	X			X					X	X	X
Hawa Combino 50 H MS	50	19-25	2400	1400	X		X						X	X	X



On furniture

	Technical specifications					Design/installation							Recommended application		
Wood															
Sliding doors															
Hawa Combino 50 H FS	50	19-25	2400	1400	X			X					X	X	X
Hawa Combino 65 H IS ol	65	25-40	2600	1400	X	X			X				X	X	X
Hawa Combino 65 H MS ol	65	25	2600	1400	X		X						X	X	X
Hawa Combino 65 H FS ul	65	25	2600	1400	X			X					X	X	X
Hawa Combino 65 H FS ol	65	19-40	2600	1400	X			X					X	X	X
Hawa Combino 80 H FS ul	80	25/40	2800	1600	X			X					X	X	X
Hawa Combino 80 H FS ol	80	19-40	2800	1600	X			X					X	X	X
Hawa Combino L 40	40	19	1500	1500	X			X			X		X	X	X
Hawa Combino L 40 H FS	40	19	1500	1500	X			X			X		X	X	X
Hawa Combino L 40 H FS Synchro	40	19	1500	800				X			X		X	X	X
Hawa Creation (H/G combination)	25	6/19	2200	1200	X				X		X		X	X	X
Hawa Creation 25 H IS/FS	25	19	2200	1200	X				X		X		X	X	X
Hawa Creation 25 GAK/H IS/FS	25	6(19)	2000(2100)	1000(1200)	X				X		X		X	X	X
Hawa Frontal	25	19	2000	800	X			X					X	X	X
Hawa Frontal 25 H FS	25	19	2000	800	X			X					X	X	X
Hawa Frontino	20/40	19-25	2400	600-1200	X						X		X	X	X
Hawa Frontino 20 H FS ul	20	19-25	1000	600-1200	X						X		X	X	X
Hawa Frontino 20 H FS ol	20	19-25	1000	600-1200	X						X		X	X	X
Hawa Frontino 20 H OS FS	20	19-25	1000	600-1200	X						X		X	X	X
Hawa Frontino 40 H FS	40	19	2400	600-1200	X						X		X	X	
Hawa Libra	20	16-30	1000	1600					X		X		X	X	X
Hawa Libra 20 H IS/FS	20	16-30	1000	1600					X		X		X	X	X
Hawa Libra 20 H IS/FS Synchro	20	16-30	1000	1600					X		X		X	X	X
Hawa Miniroll	15/25	19-40	2600	1500		X			X				X	X	X
Hawa Miniroll 15/25	15/25	19-40	2600	1500		X			X				X	X	X
Hawa Regal A	25/40	19-50	2500	1200	X						X		X	X	X
Hawa Regal A 25 H FS	25	19-25	2400	1200							X		X	X	X
Hawa Regal A 40 H FS	40	19-50	2500	1200	X						X		X	X	X
Hawa Regal B (H/G combination)	25	16-50	2000	1200	X	X			X		X		X	X	
Hawa Regal B 25 H IS	25	16-50	2000	1200	X	X			X				X	X	X
Hawa Regal B 25 H FS	25	16-50	2000	1200	X						X		X	X	X
Hawa Regal B 25 HG FS	25	4-6 (23-25)	1800	1200	X						X		X	X	X
Hawa Regal B 25 H X FS	25	16-50	2000	1200	X						X				
Hawa Regal C	16/26	16-19	2200	1200	X	X			X		X		X	X	X
Hawa Regal C 16 H IS/FS	16	4/16	1400	1000	X						X		X	X	X
Hawa Regal C 16 H IS	16	19	1400	1000	X				X						
Hawa Regal C 16 HM IS	16	19	1400	1000	X				X				X	X	X
Hawa Regal C 26 HM IS	26	19	2200	1200	X	X			X				X	X	X
Sliding doors, stackable															
Hawa Aperto	40	19-25	2600	400-900					X			X	X	X	X
Hawa Aperto 40 F	40	19-25	2600	400-900					X			X	X	X	X

Sliding on furniture product overview



On furniture

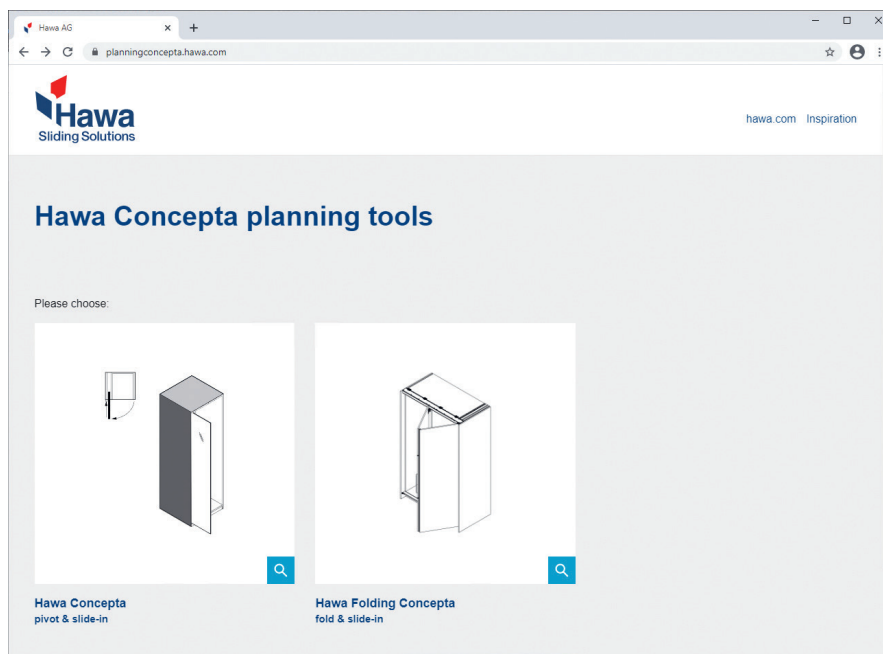
	Technical specifications					Design/installation							Recommended application		
Wood															
Pivot and folding/sliding doors															
Hawa Concepta	25/30/40/50	19-50	1250-2850	300-900	X					X	X	X	X	X	X
Hawa Concepta 25	25	19-50	1250-1850	300-750	X					X	X	X	X	X	X
Hawa Concepta 30	30	19-50	1851-2300	300-900	X					X	X	X	X	X	X
Hawa Concepta 40	40	19-50	1851-2500	300-900	X					X	X	X	X	X	X
Hawa Concepta 50	50	19-50	2301-2850	300-900	X					X	X	X	X	X	X
Hawa Folding Concepta	25	19-26	1250-2600	300-700						X	X	X	X	X	
Hawa Folding Concepta 25	25	19-26	1250-2600	300-700						X	X	X	X	X	
Folding sliding doors															
Hawa Multifold	30	19-25	2600	200-650						X	X	X	X	X	X
Hawa Multifold 30	30	19-25	2600	200-650						X	X	X	X	X	X
Hawa Multifold 30/W	30	19-25	2600	200-500						X	X	X	X	X	X
Pull-outs															
Hawa Forte	170/340	16-40	2400	800	X							X		X	X
Hawa Forte 170	170	16-40	2200	600	X							X		X	X
Hawa Forte 340	340	16-40	2400	800								X		X	X
Hawa Forte 170 DS	170	16-40	2200	600	X							X		X	X
Glass															
Sliding doors															
Hawa Clipo	16/26/36	4-8 (12/22)	2000	1000	X	X				X				X	X
Hawa Clipo 16 GK IS	16	6-6.35	1400	1000	X	X				X				X	X
Hawa Clipo 16 GS IS	16	6-6.35	1400	1000	X	X				X				X	X
Hawa Clipo 16 GPK/GPPK IS	16	6-6.35 (12)	1400	1000	X	X				X				X	X
Hawa Clipo 26 GR IS	26	4 (20)	2000	800	X	X				X				X	X
Hawa Clipo 36 GPK/GPPK IS	36	6-8 (12)	2000	1000	X	X				X				X	X
Hawa Clipo 36 GPPK IS fixed glass	36	6-8 (12)	2000	1000	X	X				X				X	X
Hawa Clipo 36 G IS	36	6-8 (20-22)	2000	1000	X	X				X				X	X
Hawa Frontal	25	4/6 (20/22)	2200	800	X				X					X	X
Hawa Frontal 25 GK FS	25	6	2000	800	X				X					X	X
Hawa Frontal 25 GR 20/20 FS	25	4 (20)	2000	800	X				X					X	X
Hawa Frontal 25 GR 40/22 FS	25	4 (22)	2000	800	X				X					X	X
Hawa Regal A	25	4 (22)	2200	1200								X		X	X
Hawa Regal A 25 GR FS	25	4 (22)	2200	1200								X		X	X
Hawa Regal B	25	4-8	1800	1200	X							X		X	X
Hawa Regal B 25 SP FS	25	4-8	1800	1200	X							X		X	X
Hawa Regal 25 GK FS	25	4-6	1800	1200	X							X		X	X
Hawa Regal 25 X FS	25	4-8	1800	1200	X							X		X	X
Hawa Regal C	16/26	4-6.35 (12/20)	2000	1000	X	X						X		X	X
Hawa Regal C 16 GPPK IS	16	6-6.35 (12)	1400	1000	X					X				X	X
Hawa Regal C 26 GR IS	26	4 (20)	2000	800	X	X						X		X	X

General information

- Products have been tested in accordance EN 15706 and EN 15570
- Maximum door weights and door dimensions see respective catalog pages. The maximum door weight may not be exceeded!
- The products are inapplicable for outdoor applications/use.
- Subject to technical modifications. No liability assumed.
- With high gloss lacquered doors use material that is at least 20 mm thick, in order to avoid damaging the finish with the screws

Planning/execution

For planning and execution, use the planning tools at www.planningconcepta.hawa.com



Protection of trademarks/Copyright

HAWA is a trademark registered in the name of Hawa Sliding Solutions AG. The names Junior, Concepta, Clipo and Frontino are product family names either registered in the name of Hawa Sliding Solutions AG, or to which Hawa Sliding Solutions AG claims exclusive rights of use in connection with its products and services. The contents of this publication, including all photographs and graphics are protected by copyright, and may not be copied, modified or otherwise used without the explicit consent of Hawa Sliding Solutions AG.

General Terms and Conditions

Conditions of sale, delivery and payment are subject to the General Terms and Conditions of Hawa Sliding Solutions AG, which are available at www.hawa.com.

Wherever you are – we are there for you

Our integrated sales and service area is the right contact for inquiries concerning our solutions, products and systems. We look forward to you contacting us by e-mail or telephone.

Contact

info@hawa.com, Tel. +41 44 787 17 17, Fax +41 44 787 19 18

Hawa Sliding Solutions AG

Factory Mettmenstetten (headquarters)
Untere Fischbachstrasse 4
8932 Mettmenstetten, Switzerland

Hawa Sliding Solutions AG

Factory Sirnach
Wilerstrasse 90
8370 Sirnach, Switzerland

We would be pleased to support you worldwide:

North America

Our North American subsidiary is in Dallas, Texas, and looks after sales and technical partners in the USA and Canada.

Hawa Group Americas Inc.

150 Turtle Creek Blvd, Ste 209A
Dallas, TX 75207, United States of America
Tel. +1 214 760 9054, Fax +1 214 760 8627

Asia and the Pacific

Our latest subsidiary is in Singapore. We have been looking after sales and specialist partners in the South East Asia, Australia and Pacific Basin areas since 2017.

Hawa Sliding Solutions APAC Pte. Ltd

123 Penang Road, #06-13 Regency House
238465 Singapore, Singapore
Tel. +65 6887 4900

Middle East

Our subsidiary in Dubai has been advising and supporting our sales and specialist partners on the Arabian peninsula since 2005. In addition to the United Arab Emirates, we also look after partners in Saudi Arabia, Bahrain, Oman and other surrounding countries from here.

Hawa Middle East FZE





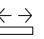











Office #126, 1st Floor, Jafza 17, Jebel Ali Free Zone
Dubai, United Arab Emirates
Tel. +971 4 887 3694, Fax +971 4 887 3693

Lined writing area with horizontal dotted lines.

The right sliding solution for every need and every idea

Our overall product range for sliding solutions on buildings, in buildings and on furniture covers all requirements in all areas of application, movement types and sliding versions.

This overall product range will undergo continuous further development. Hawa Sliding Solutions also provides individual, made-to-measure solutions. Special solutions such as this are developed in close collaboration with our partners and customers. Perhaps together with you?

On buildings 	Technical specifications							Design/installation					Exterior application		
															
Sliding shutters															
Hawa Frontslide	60/100/140	28-60	3200	min. 400				X	X	X	X			X	
Hawa Frontslide Matic	60/100/140	45/50/60	3200		6.24	7500	14.7	X	X	X	X			X	
Folding sliding shutters															
Hawa Frontfold	30	28-36	3200	200-600		12 000	38.4	X						X	X
Hawa Fronttego	30	28-32	700-3200	300-600	1.92	3.6 m	2x12	X						X	X
Special solution, stackable															
Hawa Aperto	60	35-50	2600	550-950	2.47	min. 550	min. 1	X						X	
Windows															
Hawa Vertical	150	85	1200	3200*					X					X	X

















* With a height of 1,200 mm, the width is limited to 2,000 mm because of the pulley

** With a width of 3,200 mm, the height is limited to 900 mm because of the pulley

In buildings

		Technical specifications						Installation						Recommended application			Exterior application		
Wood																			
Sliding doors																			
Hawa Junior	40/80/100/120/160/250	35-80	4000	3000		40/80/120	X	X	X	X			X	X	X	X			
Hawa Media	70	35-80	4000	3000			X	X		X				X	X				
Hawa Ordena	70	30-40	2600	3000				X	X	X				X	X				
Hawa Porta	40/45/60/100/300/600	18-100	6000	5000		40/60/100	X	X	X	X				X	X	X			
Hawa Silenta	150	35-80	4000	3000				X	X	X				X	X				
Hawa Super	500	45-100	6000	5000			X	X		X				X	X	X			
Hawa Suono	100	min. 51	2700	700	1340	X	X			X				X	X	X			
Sliding walls																			
Hawa Aperto	60	35-50	2600	550-1500	13600			X		X			X	X	X	X	X	X	X
Hawa Junior	80	32-80	4000	500-1200	6750			X		X			X	X	X	X			
Hawa Divido	100	28-30	2400	1200	6000	X	X	X	X	X	X			X	X	X			
Hawa Variotec	150	36-68	4000	700-1500	12000			X		X			X	X	X	X			
Folding sliding walls																			
Hawa 20 c Folding wall	120	42-80	4000	1000	7000			X		X			X	X	X	X			
Hawa Centerfold	80	35-45(57)	4000	500-900	6000			X	X	X			X	X	X	X			
Hawa Variofold	80	35-45(57)	4000	500-900	6310			X	X	X			X	X	X	X			
Transport systems																			
Hawa Varioflex	40	35-80	4000	900				X		X					X				
Glass																			
Sliding doors																			
Hawa Junior	40/80/100/120/160/250	8-16	4000	3000		40/80/120	X	X	X	X				X	X	X			
Hawa Ordena	70	8-10.7	2600	600-3000				X	X	X				X	X	X			
Hawa Porta	40/100	6-12.7	2700	1600		40/60/100	X	X	X	X				X	X	X			
Hawa Puro	150	8-12.7	3000	750-3000				X	X	X				X	X	X			
Hawa Purolino Plus	80	8-12.7	3000	600-3000		X	X	X	X	X				X	X	X			
Hawa Super	250	8-80	4000	3000			X	X		X					X	X			
Sliding walls																			
Hawa Aperto	60	8-10 (30)	2600	500-1100	10900			X		X			X	X	X	X	X	X	X
Hawa Divido	100	5.9-10 (30)	2750	1200	6000	X	X	X	X	X	X			X	X	X			
Hawa Shopfront	400	8-16 (50)	3500	3000	12000			X		X					X	X	X	X	
Hawa Variotec	150	10-13 (36)	3500	700-1500				X		X			X		X	X	X	X	
Folding sliding walls																			
Hawa Centerfold	80	10-13 (36)	2600	500-900	6000			X	X	X			X		X	X	X	X	
Hawa Variofold	80	10-13 (36)	2600	400-900	6310			X	X	X					X	X	X	X	
Hawa Junior	80	8-16 (26)	3000	500-1200	3700			X		X			X	X	X	X			
Shower																			
Hawa Banio	40	8-9	2200	800	1500	X	X			X				X	X	X			

 **On furniture**

Technical specifications					Design/installation							Recommended application			
															

Wood

Sliding doors															
Hawa 220 Planfront	70	19-45	2600	400-1500					X		X	X	X	X	X
Hawa Aperto	40	19-25	2600	400-900				X					X	X	X
Hawa Clipo	15/16/26/36	10-25	2400	1200	X	X	X	X	X		X		X	X	X
Hawa Combino	20/35/40/50/65/80	19-40	2800	1600	X	X	X	X			X		X	X	X
Hawa Creation	25	6/19	2200	1200	X	X		X					X	X	X
Hawa Frontal	25	19	2000	800	X			X					X	X	X
Hawa Frontino	20/40	19-25	2400	600-1200	X						X		X	X	X
Hawa Libra	20	16-30	1000	1600					X		X		X	X	X
Hawa Miniroll	15/25	19-40	2600	1500		X							X	X	X
Hawa Regal A	25/40	19-50	2500	1200	X						X		X	X	X
Hawa Regal B	25	16-50	2000	1200	X	X			X		X		X	X	X
Hawa Regal C	16/26	16-19	2200	1200	X	X			X		X		X	X	X
Pivot and folding/sliding doors															
Hawa Concepta	25/30/40/50	19-50	1250-2850	300-900	X				X	X	X	X	X	X	X
Hawa Folding Concepta	25	19-26	1250-2600	300-700					X	X	X	X	X	X	
Folding sliding doors															
Hawa Multifold	30	19-25	2600	200-650					X	X	X		X	X	X
Pull-outs															
Hawa Forte	170/340	16-40	2400	800	X						X		X	X	X

Glass

Sliding doors															
Hawa Clipo	16/26/36	4-8 (12/20)	2000	1000	X	X			X				X	X	X
Hawa Frontal	25	4/6 (20/22)	2200	800	X			X					X	X	X
Hawa Regal A	25	4 (22)	2200	1200							X		X	X	X
Hawa Regal B	25	4-8	1800	1200	X						X		X	X	X
Hawa Regal C	16/26	4-6.35 (12/20)	2000	1000	X	X					X		X	X	X

Index icons

Area of application



On buildings



In buildings



On furniture

Technical specifications



Weight



Thickness



Height



Width



Soft closing mechanism



Max. area per door



Max. system width



Max. area



Max. opening width

Design



IS Inslide



MS Mixslide



FS Forslide



IS Inslide
Flush-fitting/
on one level



MS Mixslide
Flush-fitting/
on one level



FS Forslide
Flush-fitting/
on one level

Installation



Fully opening



Half opening



Wall mounting



Ceiling mounting



Ceiling mounting
recessed



ol
Top-running



ul
Bottom-running



Load
Light load
Private
access



Load
Medium load
Semi-public
access



Load
High load
Public
access



Inland
More than 20 km
from the coast



Coastal area
Less than 20 km
from the coast



Hawa Sliding Solutions AG

Untere Fischbachstrasse 4, 8932 Mettmenstetten, Switzerland

Phone +41 44 787 17 17, Fax +41 44 787 17 18

info@hawa.com, www.hawa.com