



Description

Ultra slim puck with recessed or surface mount option

Important features

- Designed for cabinet lighting purposes
- Edge-lite technology provides a soft uniform light with an ultra slim fit
- Dimmable
- Magnetic faceplate

Description	Number
Warm White, Black	37905012122090
Neutral White, Black	37905012124090
Warm White, Satin Nickel	37905012122185
Neutral White, Satin Nickel	37905012124185
Warm White, White Finish	37905012122030
Neutral White, White Finish	37905012124030



Applications

- Countertops
- Cabinets
- Bookcases
- Display cases
- Decorative lighting
- Wardrobes
- Cupboards
- Closets



Product Advantages

- Available in two CCTs
- Choice of three finishes
- Beam angle: 120°
- Uniform light distribution
- Surface mount or recessed



Important Information

- To be used only with a class 2 power supply
- Make sure the main power is OFF before starting installation or attempting any maintenance
- Read instructions before installing fixtures

Fig. 1

Surface Mount

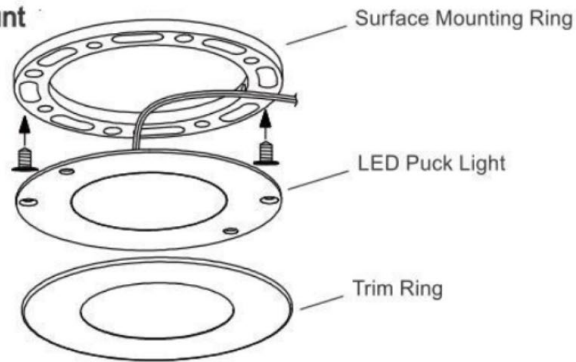
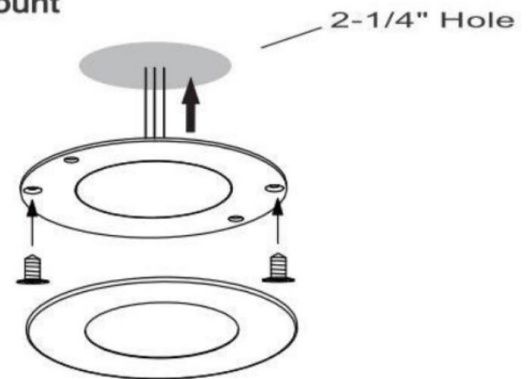


Fig. 2

Recessed Mount



Description	Number
Warm White, Black	37905012122090
Neutral White, Black	37905012124090
Warm White, Satin Nickel	37905012122185
Neutral White, Satin Nickel	37905012124185
Warm White, White Finish	37905012122030
Neutral White, White Finish	37905012124030



Included Products

- 1 x LED puck light
- Surface mounting ring
- Magnetic faceplate
- Mounting hardware
- 79 in (2006,6 mm) extension cable



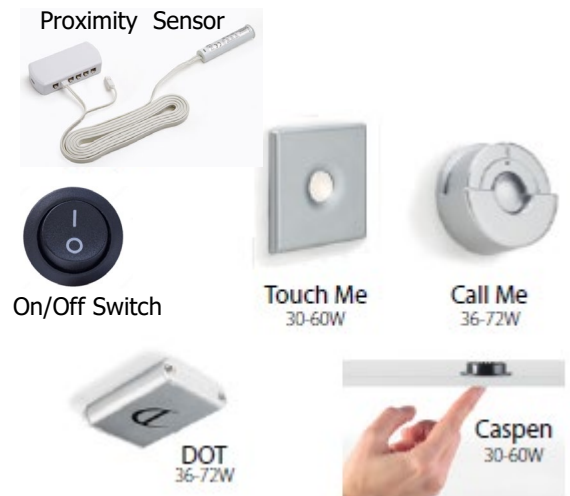
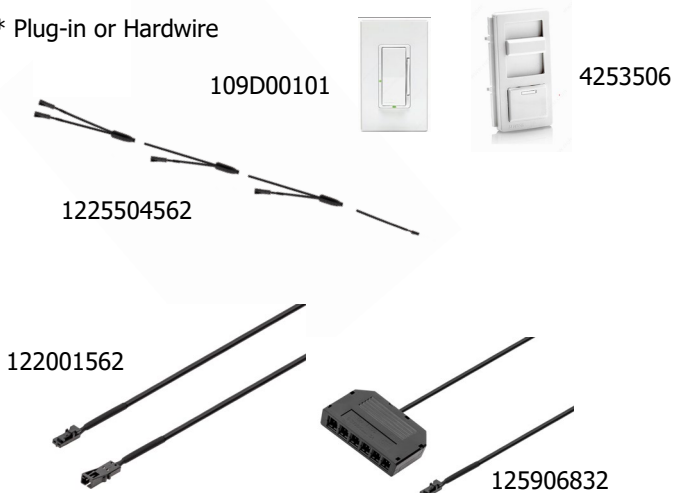
K-PAD without Switch (Receiver)

Wall dimmable power supplies *	
DH1224	24 W 12 V
DH1236	36 W 12 V
DH1260	60 W 12 V
DH1296	96 W 12 V
DP1212	12 W 12 V
DP1224	24 W 12 V
DP1250	50 W 12 V

Dimmer compatible accessories	
109D00101	Decora wall dimmer
4253506	Slide dimmer

Plug-in power supplies	
51206	6 W 12 V
51215	15 W 12 V
51230	30 W 12 V
51260	60 W 12 V
Dimmer compatible accessories	
152125601	Touch Me (60 W)
152126003	Capsens (60 W)
152127010	Call Me (72 W)
12624905	FW dot dimmer (72 W)
31225	On/off switch
12624601	Proximity sensor (30 W)

* Plug-in or Hardwire





Market and Product

Our group A 12 V system remains an integral part of our lighting line and there are no plans to discontinue it. Customers preferring the 12 V system can continue using this system.



What You Need to Know

- 12 V dc power supply required; works with prescribed dimmers
- Indoor use only



Product Launch Strategy

Product will be available in RIC, MIS, VAN, and CAL. If you require inventory in your warehouse, please request product opening with supply chain.