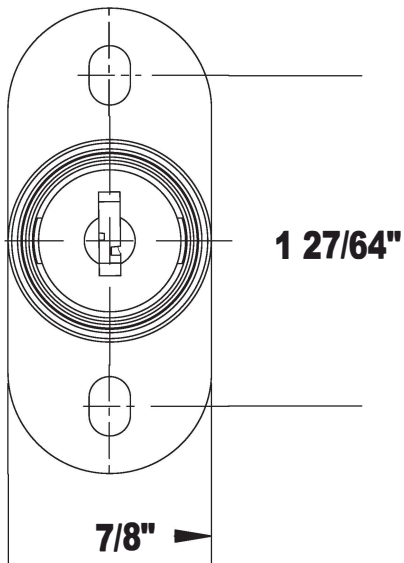
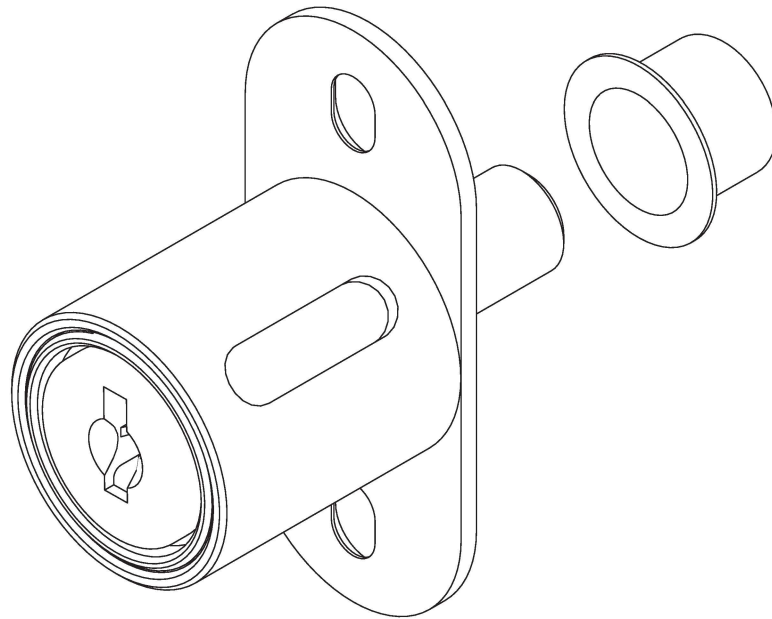


C8043 DISC TUMBLER SLIDING DOOR

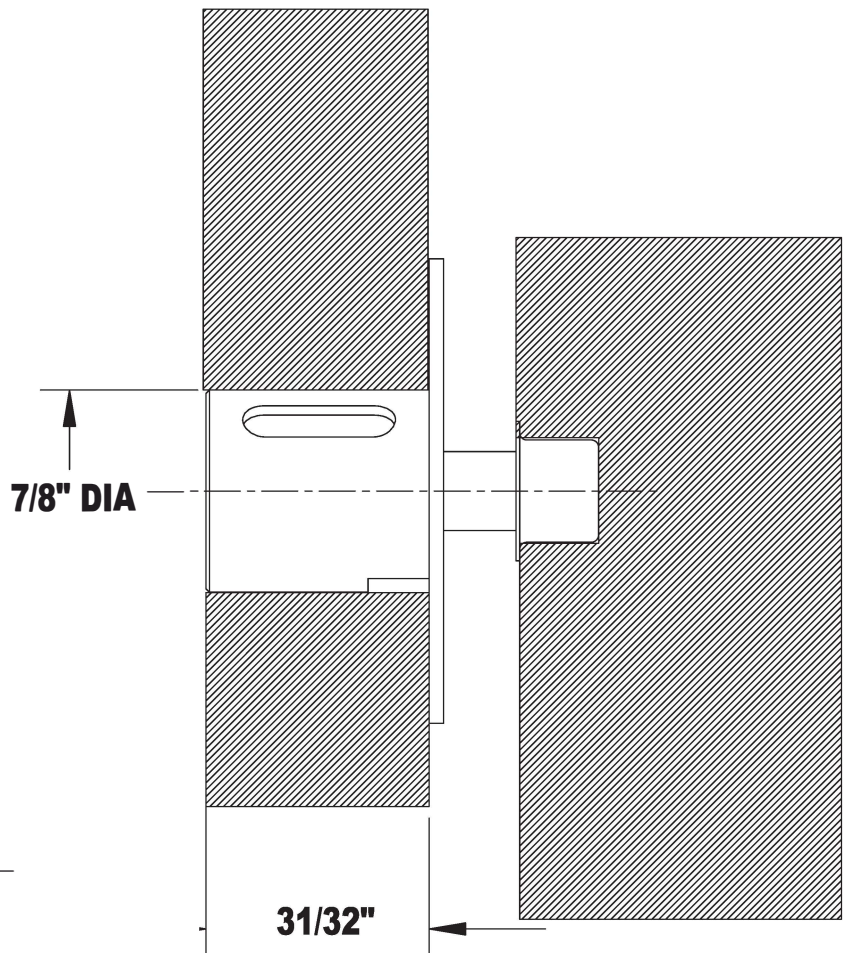


$\frac{7}{8}$ "

$1 \frac{27}{64}$ "

$\frac{7}{8}$ " DIA

$\frac{7}{8}$ " DIA.
MOUNTING HOLE



$\frac{31}{32}$ "