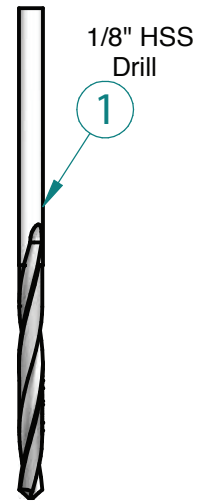
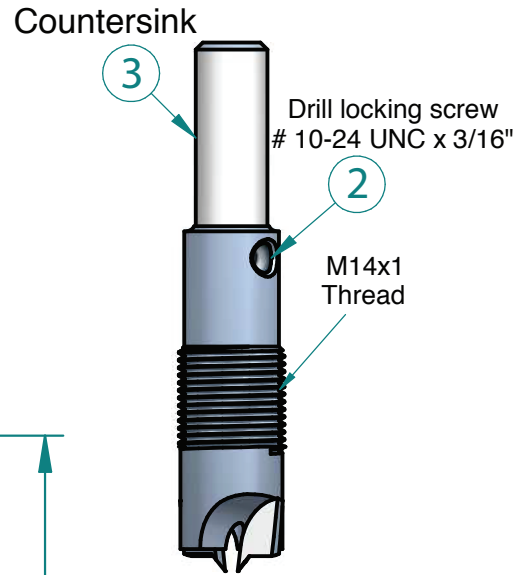
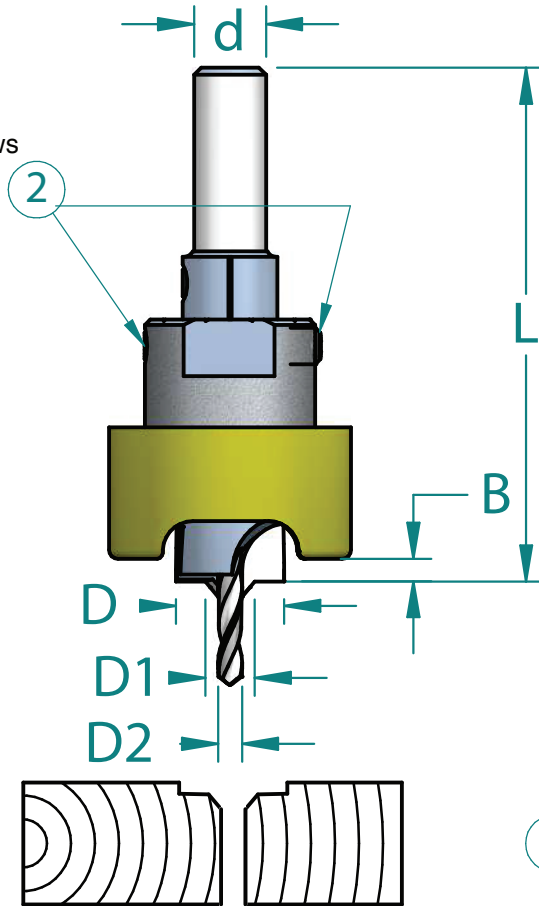
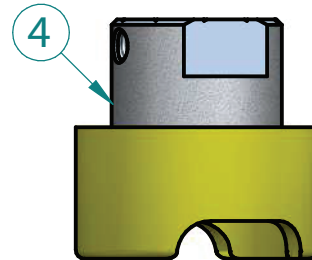


2 Stopper locking screws  
# 10-24 UNC x 3/16"



Micrometric Depth Stopper  
with No Thrust Bearing



No.	Replacement Parts
1	Drill Bit
2	3 screws
3	Countersink
4	Depth Stop

D	D1	D2	d	B max.	L
9/16"	1/4"	1/8"	3/8"	5/32"	2-11/16"

Name:	Part Number: <b>FT55243</b>
Acceptance Signature:	
Date: 9-20-19	Product Description: CAB Drill Bit
By signing this print customer acknowledges their responsibility for verification and validation of the print	