

RFF SERIES

face frame hinge

**STRONG
VERSATILE
SMOOTH
RELIABLE**



RFF SERIES – ADJUSTABLE SOFT-CLOSE

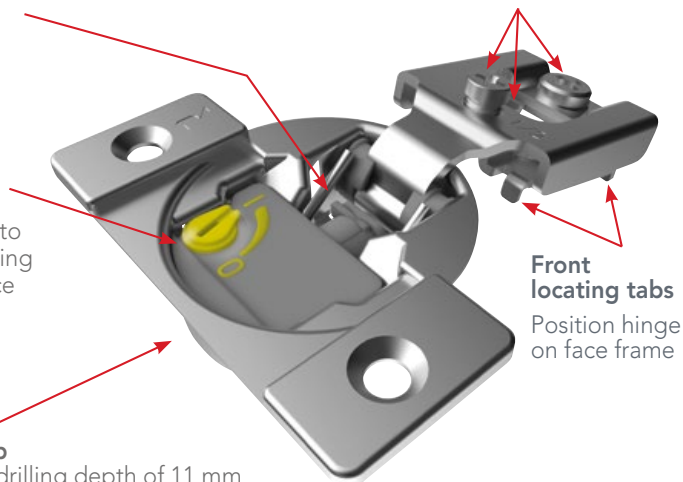
Soft-close damping system
for quiet and effortless closing

6-way adjustments
Setting for height, side and depth

Progressive Soft-Close

More precision to
adjust your closing
mechanism force

Low profile cup
Allows shallow drilling depth of 11 mm



Front
locating tabs
Position hinge
on face frame



FEATURES

- Richelieu's reliability
- Progressive patented soft-close
- Wrap-around fixation
- 2 cams and 6 way adjustments
- KCMA approved
- Developed and tested
not to slam

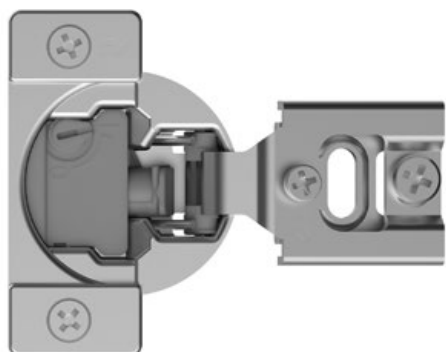
RFF SERIES FACE FRAME HINGE

Richelieu's face frame hinges are specifically designed to offer cabinet makers the advantage of concealed hinges for both small and large overlays.

The series features fast assembly and full adjustment with a patented progressive soft-closing technology to eliminate slamming doors.

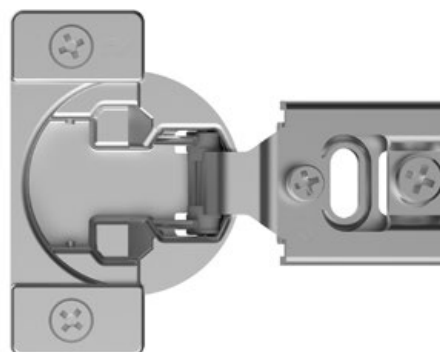


SOFT-CLOSING



Door Overlay	Fixing type	
	Screw-on	Dowel
1/2"	RFF30120040	RFF30120048
3/4"	RFF30340040	RFF30340048
1 1/4"	RFF31140040	RFF31140048
1 5/16"	RFF315160040	RFF315160048
1 3/8"	RFF31380040	RFF31380048
1 1/2"	RFF31120040	RFF31120048

SPRING-CLOSING



Door Overlay	Fixing type	
	Screw-on	Dowel
1/2"	RFF30120050	RFF30120058
3/4"	RFF30340050	RFF30340058
1 1/4"	RFF31140050	RFF31140058
1 5/16"	RFF315160050	RFF315160058
1 3/8"	RFF31380050	RFF31380058
1 1/2"	RFF31120050	RFF31120058

ANGLE RESTRICTOR CLIP for RFF HINGE

This simple device clips into RFF Hinges to restrict the opening angle to 86°.

No.	Angle
RFFR001P	86°

