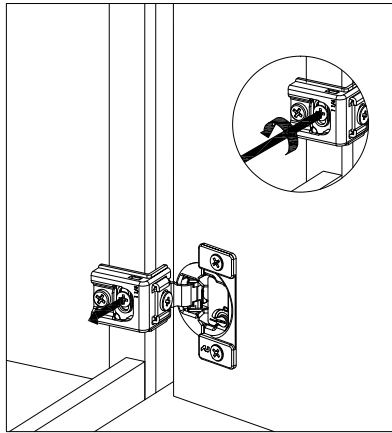


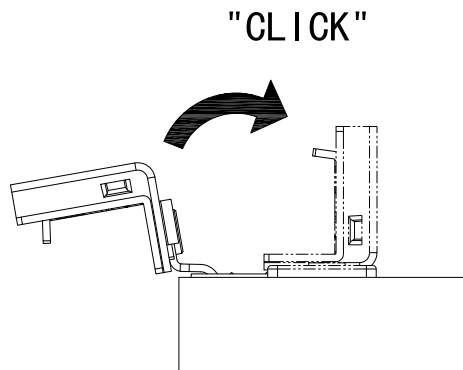
ANGLE RESTRICTION CLIP FOR RFF HINGES

Product #: RFFR001P

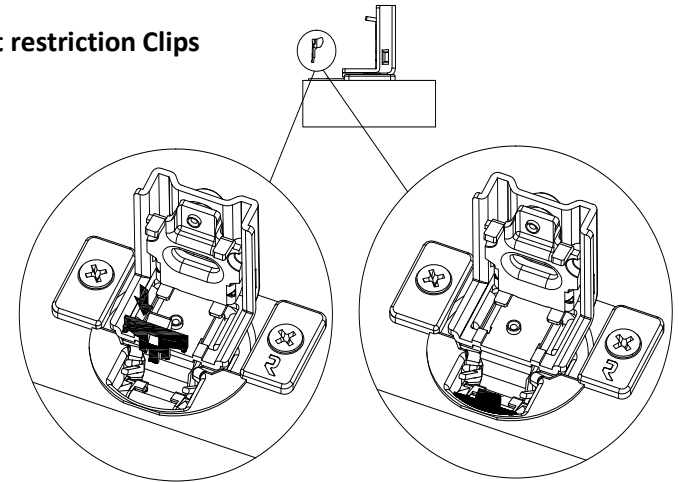
Step 1 – Remove door



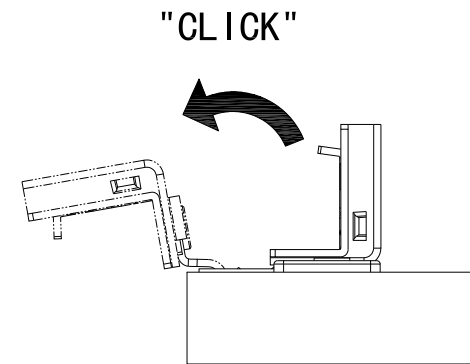
Step 2 – Close hinges



Step 3 – Insert restriction Clips



Step – 4 Open hinges



Step 5 – Reattach door

