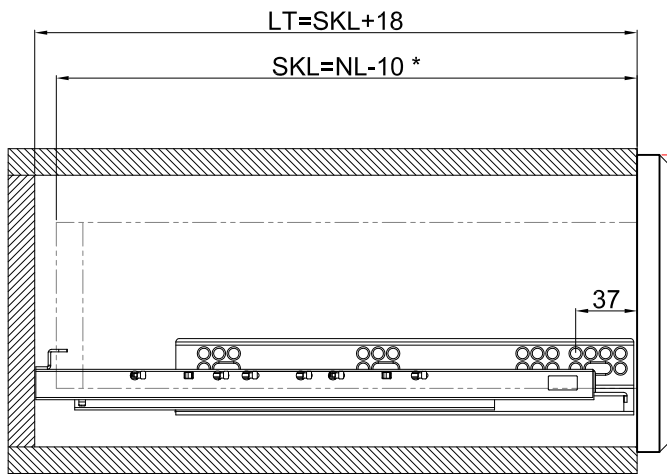
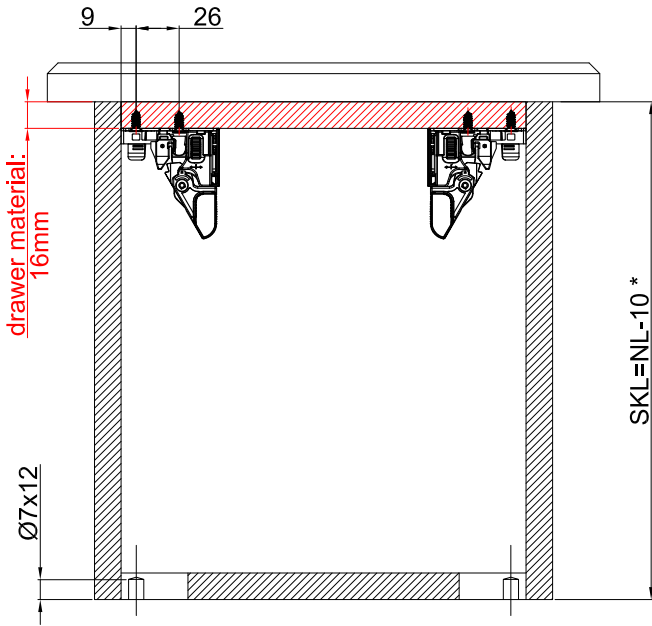


828CL402, 828CL403

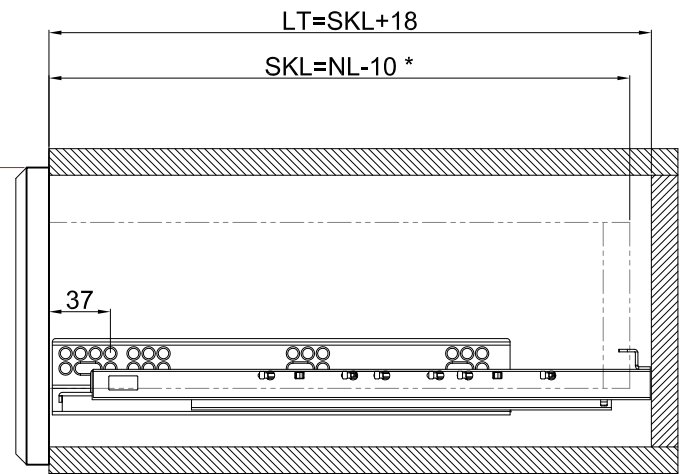
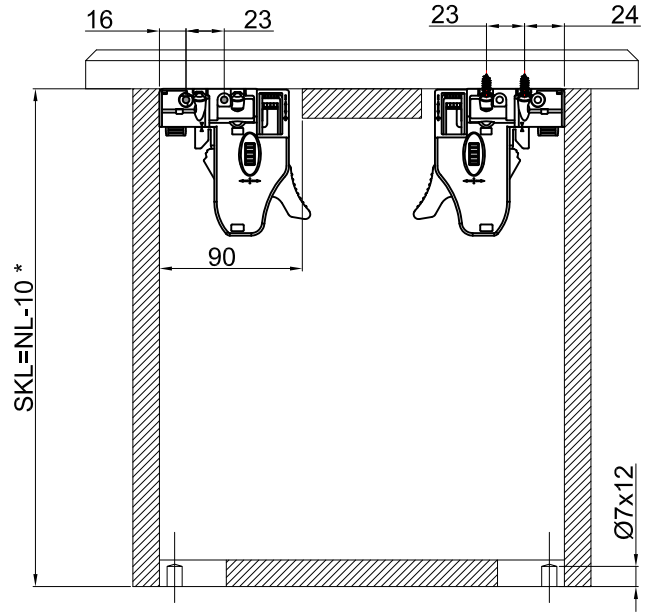
(For Series 828 slides only)



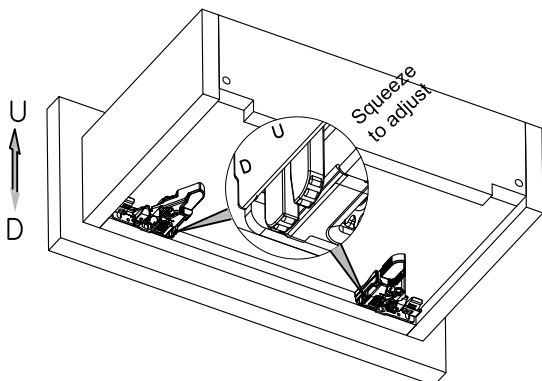
SKL = Drawer Length
 LT = Inside Cabinet Length (Min.)
 * SKL=270 for #828270

8284102, 8284103

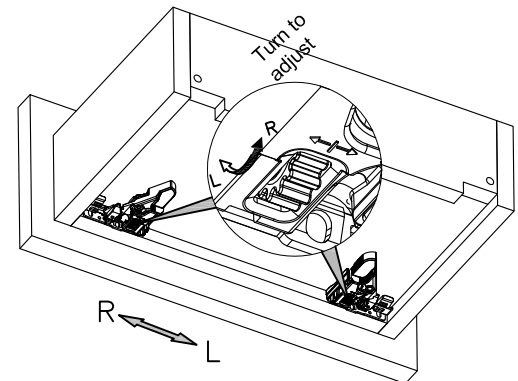
(For Series 828, 825 & 823 slides)



828CL402, 828CL403 - Adjustments



Height adjustment 0~+3mm.



Side adjustment ±1.5mm.