

## TIP-ON BLUMOTION for MOVENTO



### Features

- New four-dimensional adjustment
  - Side-to-side,  $\pm 1.5$  (front and rear)
  - Height, +3
  - Tilt, +5
  - Depth, with TIP-ON BLUMOTION units, -1/+2
  - Depth, with elongated holes,  $\pm 4.5$
- Integrated BLUMOTION soft close
- Wide range of drawer lengths from 12" to 30", in 3" increments
- Runners for 1/2" to 5/8" drawer material thickness
- Bottom mount holes for mounting to a fixed shelf or a flush bottom cabinet
- Exceeds ANSI/BHMA A156.9 2010 grade 1 specifications
- Standard duty, 125 lb static load capacity
- Heavy duty, 170 lb static load capacity
- Excellent stability and less sag, even when drawer is fully loaded
- Bearing block for consistent reveal, even in a fully loaded drawer
- Rear notch increases to **125** (4-15/16") to accommodate new TIP-ON BLUMOTION feature
- Same drawer box construction as TANDEM runners

### Accessories

- TIP-ON BLUMOTION, a touch-to-open feature with soft close
- Lateral stabilization available for wide drawer applications
- Wide variety of ORGA-LINE drawer organization options

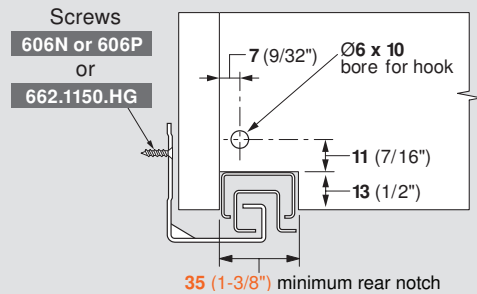
## Drawer Preparation and Installation Differences

## TIP-ON BLUMOTION for MOVENTO

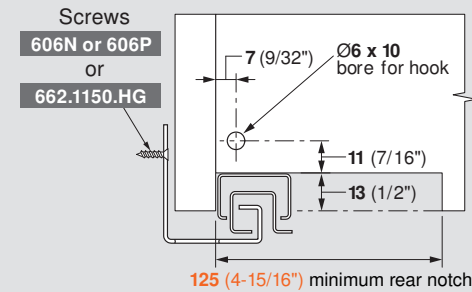


### Drawer Preparation

#### TANDEM 563/569 program



#### MOVENTO 763/769 program

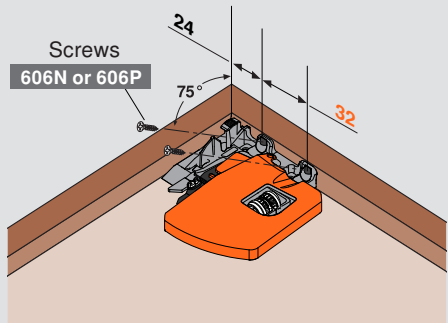


#### Differences

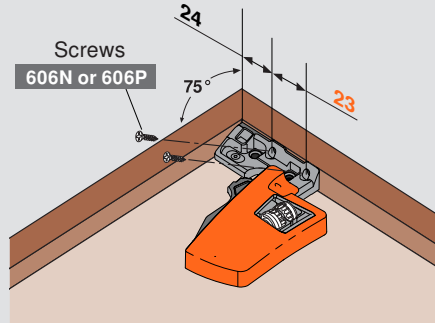
- Rear notch width changes from 35 (1-3/8") to 125 (4-15/16")
- No change to mounting screws
- No change to rear hook hole location, depth or diameter

### Locking Device Installation

#### TANDEM 563/569 hole location



#### MOVENTO 763/769 hole location



#### Differences

- 9 (11/32") difference in mounting hole location

Part No.

Without side adjustment

T51.18xx

With side adjustment

T51.19xx

Part No.

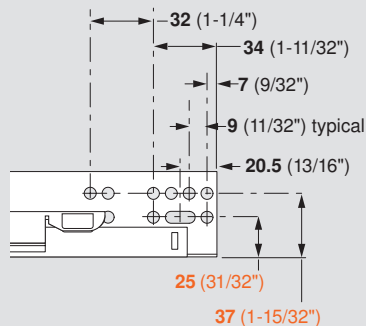
With side adjustment

T51.76xx

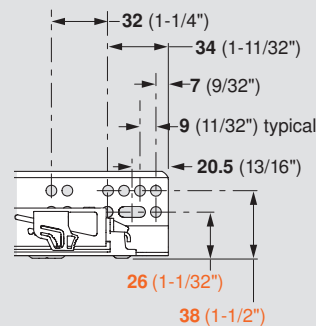
**NOTE:** The locking devices are not interchangeable between TANDEM and MOVENTO.

### Concealed Runner Installation

#### TANDEM 563/569



#### MOVENTO 763/769



#### Differences

- The top hole location in height changes from 37 (1-15/32") to 38 (1-1/2") in flush bottom applications
- The bottom hole location in height changes from 25 (31/32") to 26 (1-1/32") in flush bottom applications